

4

3

2

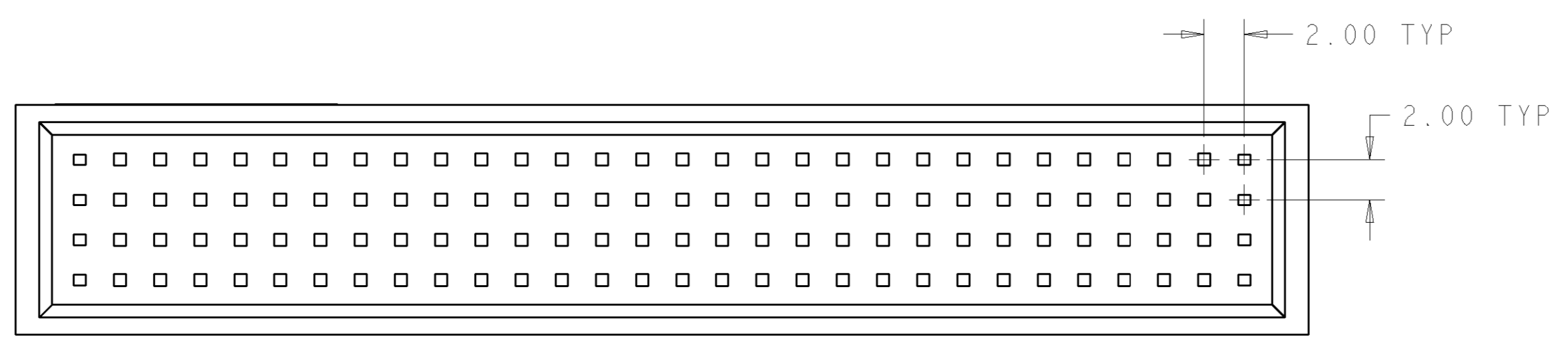
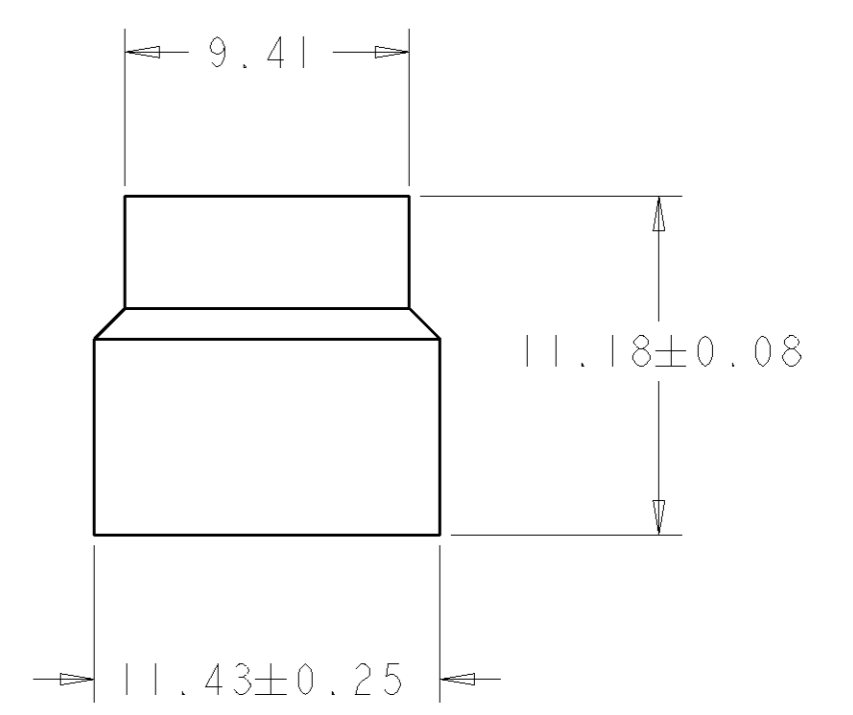
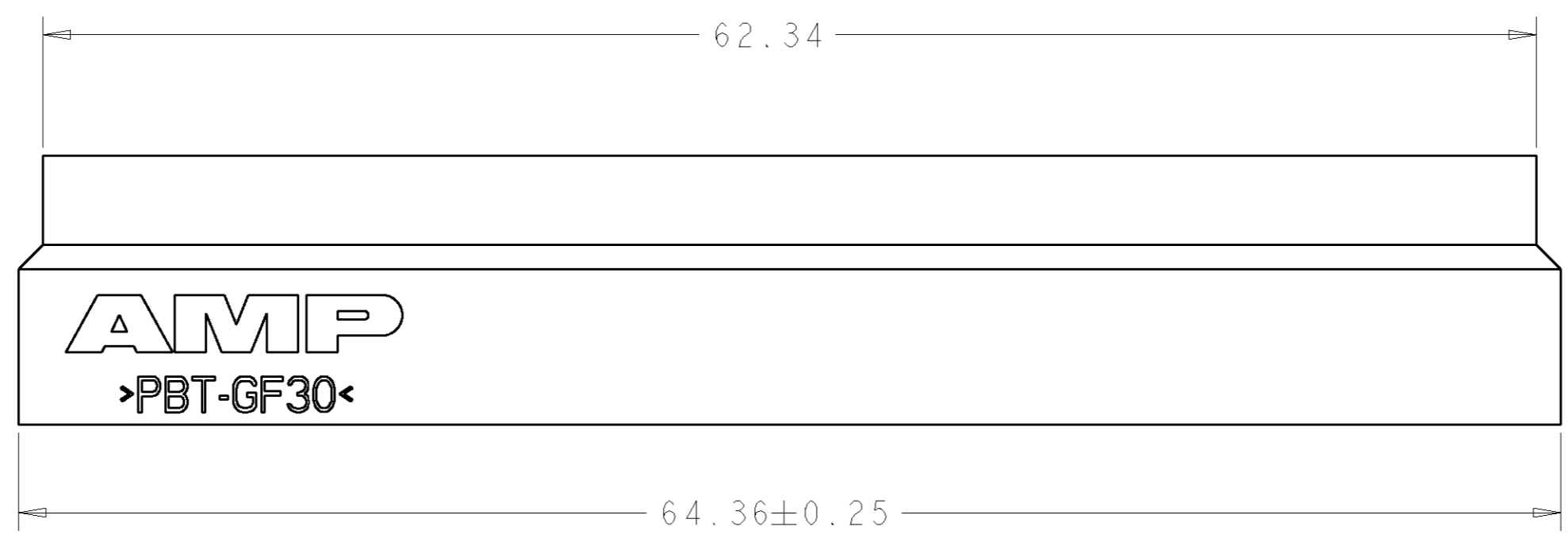
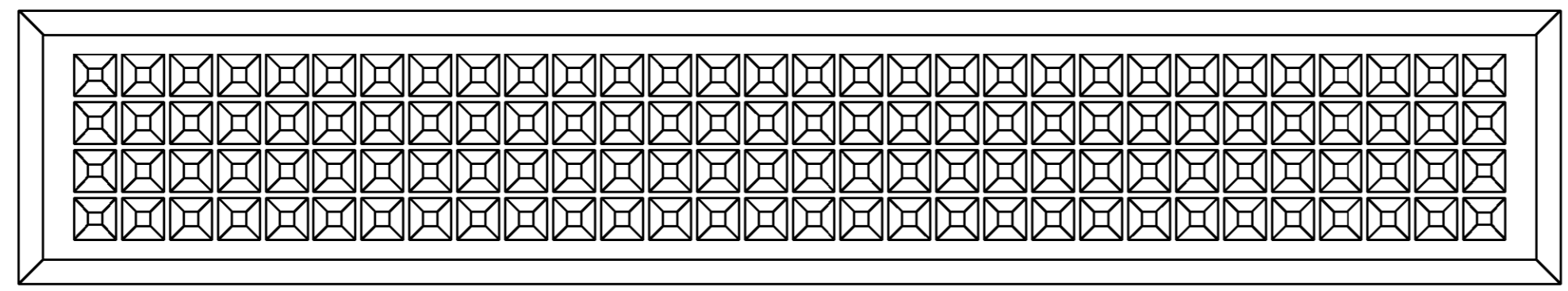
1

THIS DRAWING IS UNPUBLISHED. RELEASED FOR PUBLICATION 20

© COPYRIGHT BY ALL RIGHTS RESERVED.

LOC	DIST	REVISIONS			
P	LTR	DESCRIPTION	DATE	DWN	APVD
AD	00				
P		REVISED PER ECO-11-005294	30APR11	RK	HMR

⚠ MATERIAL: PBT POLYESTER, UL94V0, COLOR, BLACK.



1375801-1
PART NO

DIMENSIONS: mm 		TOLERANCES UNLESS OTHERWISE SPECIFIED: 0 PLC ± 1 PLC ± 2 PLC ±0.13 3 PLC ± 4 PLC ± ANGLES ± FINISH -		DWN W.G. LENKER 27SEP2000 CHK J. OLSON 13JUN2001 APVD J. OLSON 13JUN2001	STE TE Connectivity NAME - SHROUD, 120 POSITION, PCI04 PLUS	
MATERIAL	-		PRODUCT SPEC - APPLICATION SPEC - WEIGHT -	SIZE A2 CAGE CODE 00779 DRAWING NO. C-1375801	RESTRICTED TO	-
CUSTOMER DRAWING				SCALE 4:1	SHEET	OF

REV P