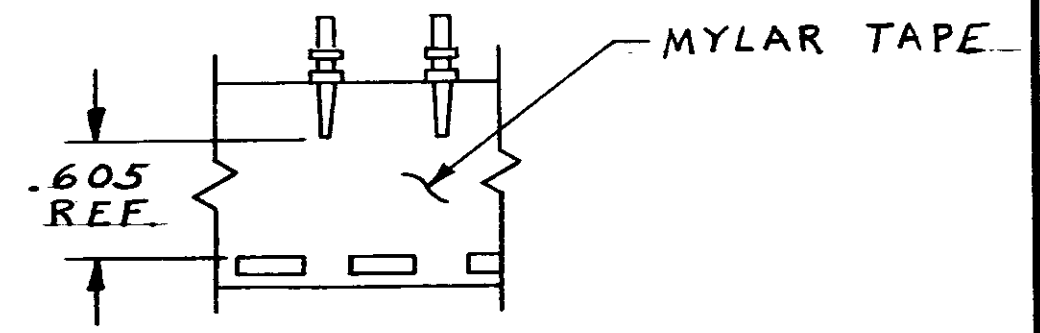
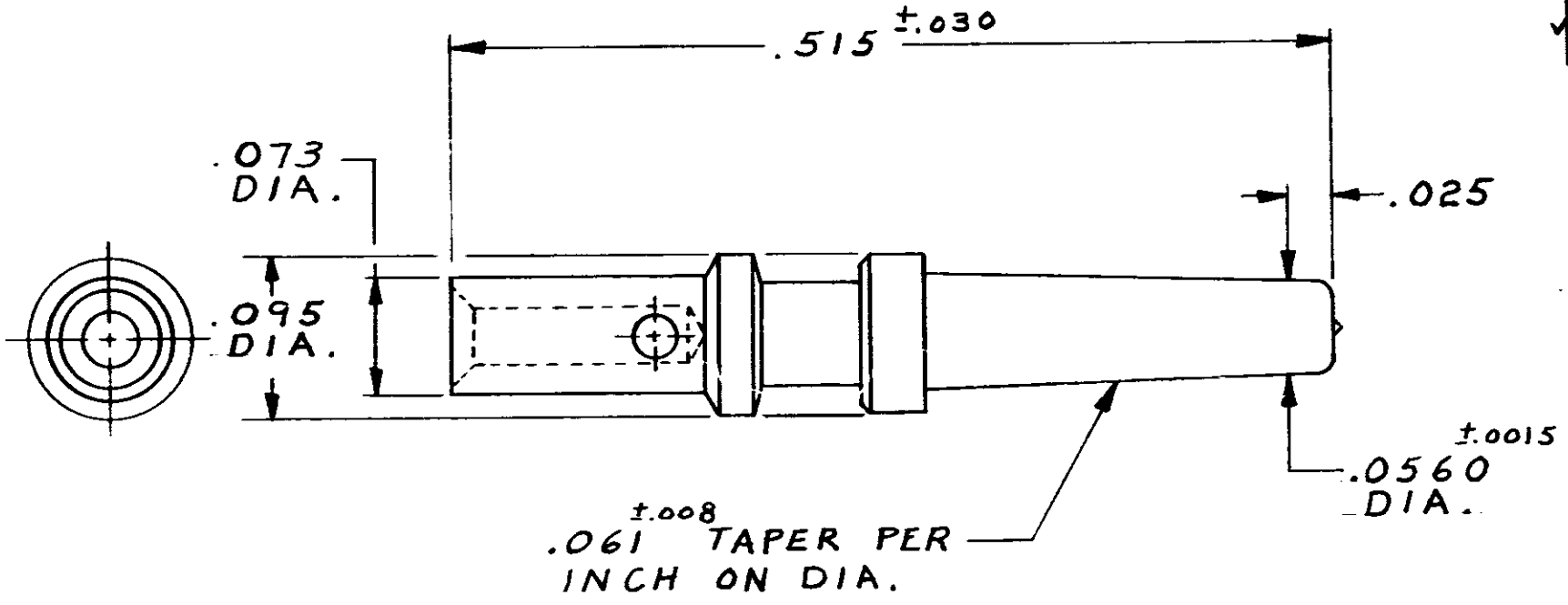


NUMBER 66050

©1961 BY AMP INCORPORATED. ALL RIGHTS RESERVED. AMP PRODUCTS COVERED BY PATENTS AND/OR PATENTS PENDING.

REVISIONS				
ZONE	LTR	DESCRIPTION	DATE	APPROVED
E-1		REDRAWN AND REVISED 1678	4-18-68	M.S. ZH
F		OBSOLETE 66050-5 2162	5-12-69	DR DH
G		LOCS WASAB, DIST WAS 39 9347	11-8-72	JP
H		OBSOLETE -4, & REACTIVATE -5 EA 970	1-31-79	DR
J		BRIGHT TIN-LEAD WAS BRIGHT TIN, EA 1818	6-18-81	DS
K		OBS -7 & -9 ECN 53379	11-86	RS
L		OBS -8 ECN 53733	4-9-87	RS



TAPE MOUNTED PART NOS. 66050-7, -8, & -9.

WIRE SIZE: # 26

OBS	66050-9	.00003 GOLD OVER .00005 NICKEL
OBS	66050-8	SILVER - .0002 THICK
OBS	66050-7	BRIGHT TIN-LEAD .0001 THICK
	66050-5	.0002 GOLD OVER .000050 NICKEL
OBS	66050-4	.0001 GOLD OVER .0001 NICKEL
	66050-3	.00003 GOLD OVER .00005 NICKEL
	66050-2	SILVER - .0002 THICK
	66050-1	BRIGHT TIN-LEAD .0001 THICK
	PART NO.	FINISH

UNLESS OTHERWISE SPECIFIED DIM. ARE IN INCHES. TOLERANCES ON: DECIMALS ± .015 ANGLES ± 1° 0'	CONTRACT NO.	AMP INCORPORATED HARRISBURG, PENNSYLVANIA	
	DR <i>M. Smith</i> 4-18-68	NAME PIN, TAPER, "53" SERIES	
MATERIAL BRASS	CHK <i>Heide</i> 5/16/68	SIZE B	CODE IDENT NO. 00779
	APPR <i>Ross</i> 5/16/68	NUMBER 66050	
	DESN APPD <i>W. Zee</i> 5-16-68	SCALE 10-1	WT CALC ACTUAL SHEET 1 of 1
	OTHER APPD		

AMP INFO			
M	LOC	PRINT DIST	HEAT TREAT
3	S	120	FINISH SEE TABLE