

THIS DRAWING IS UNPUBLISHED.

RELEASED FOR PUBLICATION

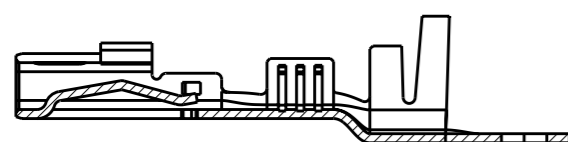
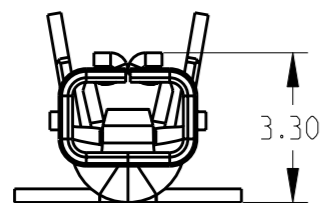
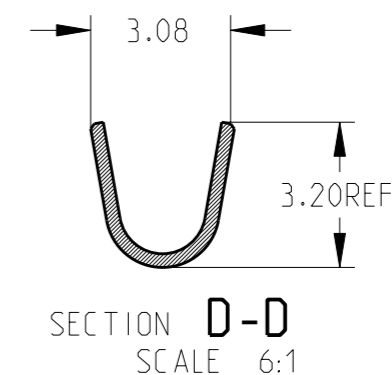
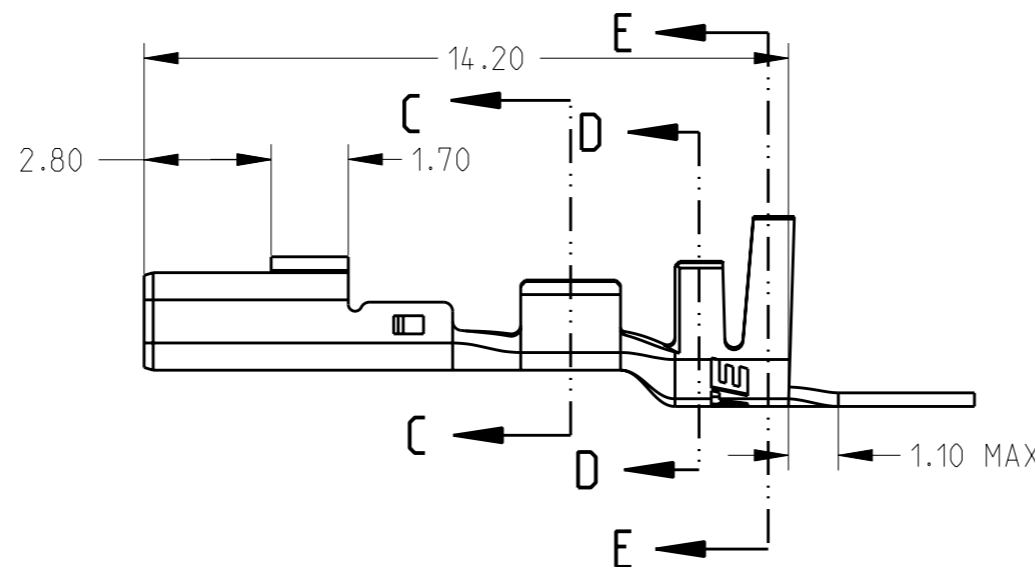
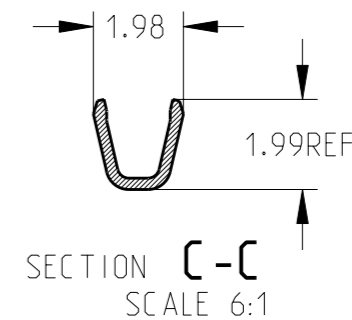
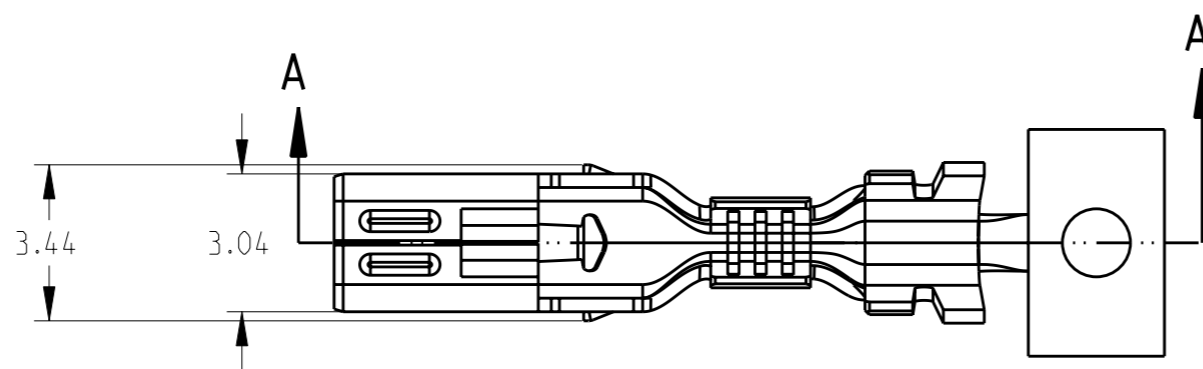
© COPYRIGHT 19 BY -

ALL RIGHTS RESERVED.

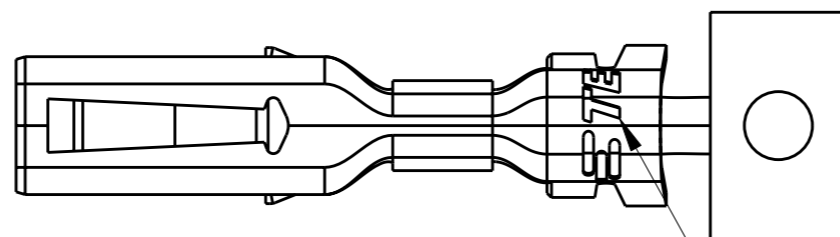
LOC ES DIST 00

REVISIONS

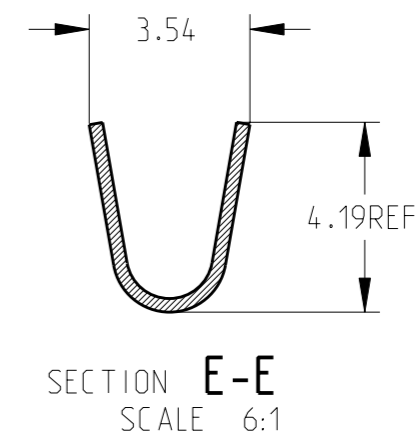
P	LTR	DESCRIPTION	DATE	DWN	APVD



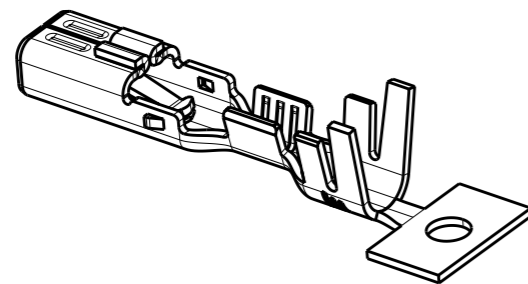
SECTION A-A



TRADE MARK




SECTION E-E SCALE 6:1



NOTE:  
 1.MATERIAL:COPPER ALLOY,PRE-TINNED  
 2.APPLICABLE HOUSING P/N:1983658-\*, 1983659-\*, 1983660-\*

PART NUMBER 1983664-1

THIS DRAWING IS A CONTROLLED DOCUMENT.		DWN LEO LIU 24AUG2011	 TE Connectivity	
DIMENSIONS: mm		CHK WU HAPYE 24AUG2011		
TOLERANCES UNLESS OTHERWISE SPECIFIED:		APVD FRIC KONG 24AUG2011	NAME REC. CONTACT MULTI 6P CONNECTOR	
0 PLC ±1.0		PRODUCT SPEC 108-106071	SIZE A3	
1 PLC ±0.50		APPLICATION SPEC 114-106071	CAGE CODE -	DRAWING NO C=1983664
2 PLC ±0.300		WEIGHT -	RESTRICTED TO -	
3 PLC ±0.2000		CUSTOMER DRAWING	SCALE 6:1	SHEET 1 OF 1
4 PLC ±				REV A
ANGLES ±				
MATERIAL -				
FINISH -				