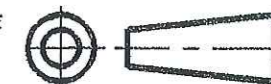


DO NOT SCALE
DIMENSIONS IN mm

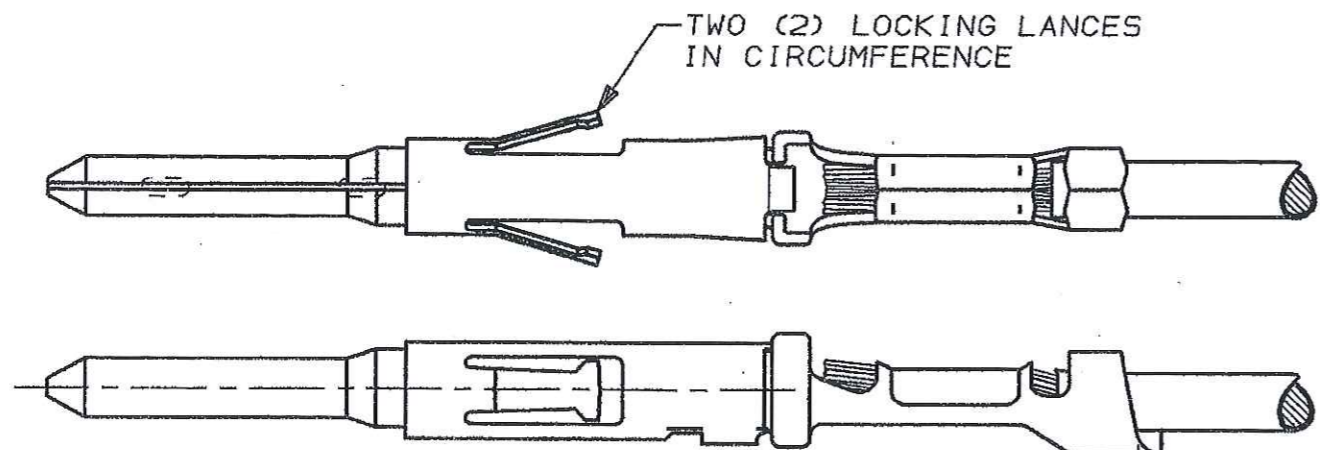
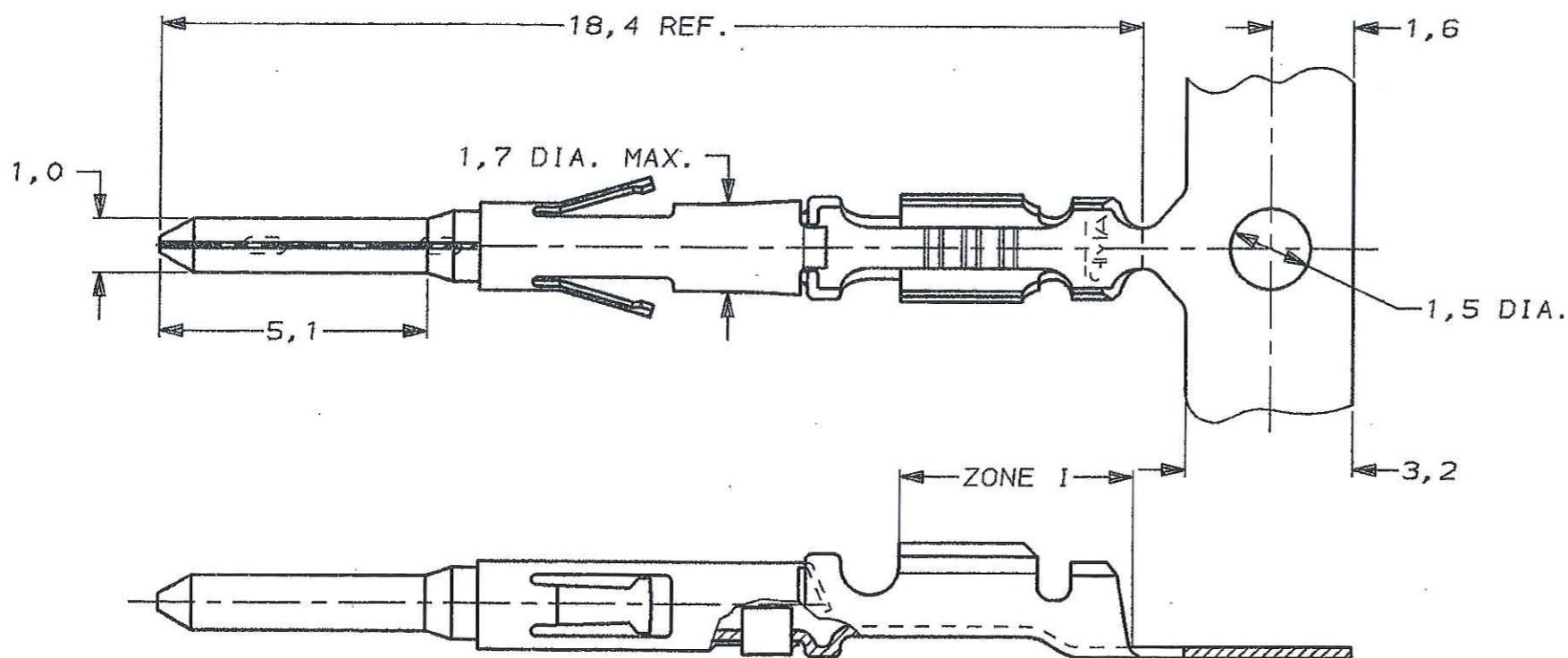
METRIC

THIRD ANGLE
PROJECTION



NOTES:

- 1 FOR MINI-APPLICATOR CRIMPING.
- 2 FOR STANDARD-APPLICATOR CRIMPING.
- 3 FOR LOOSE-PIECE VERSIONS SEE DWG. 166297
- 4 UNDERCOATING: 1,3µm Ni.
SELECTIVE : 0,8µm Au.
ZONE I : BRIGHT TIN PLATED.



WIRE RANGE :
(0,05-0,14mm²) 26-30 AWG
INSULATION RANGE :
1,22 DIA. MAX.

| | | | |
|-----------------|--------------------|------------------|------------|
| SEE NOTE 4 | STAINLESS STEEL | BRASS | 166047-3 |
| SEE NOTE 4 | | | 166047-1 |
| PLATING OF BODY | MATERIAL OF SLEEVE | MATERIAL OF BODY | PARTNUMBER |

| | | | | | |
|---|---------------------------|------------------|---|---|----|
| CUSTOMER DRAWING | | | | FOR REFERENCE ONLY WILL NOT BE UPDATED | |
| © COPYRIGHT 19- BY AMP HOLLAND B.V. ALL INTERNATIONAL RIGHTS RESERVED. AMP PRODUCTS MAY BE COVERED BY U.S. AND FOREIGN AND/OR PATENTS PENDING. THIS DRAWING IS UNPUBLISHED RELEASED FOR PUBLICATION | | | | | |
| AMP | | | AMP HOLLAND B.V. 's-Hertogenbosch, The Netherlands. | | |
| F | CLARIFIE ROHS FINIS YP YP | 06-03-93 | NAME | | |
| E | EH-0077-92 | JvL CvT 04-03-94 | CONTACT ASSEMBLY-PIN TYPE XI, SIZE 20 | | |
| LTR. | REVISION RECORD | DR. CHK. DATE | DWG. No. C-166047 | | |
| DR. J.v.LIEMPT | CHK. C.v.TILBURG | APP. L.v.SOEST | REV.LTR. F | SHEET 1 OF 1 | A3 |
| DATE: 6 JAN 1993 | DATE: 08-02-93 | DATE: 08-02-93 | | | |