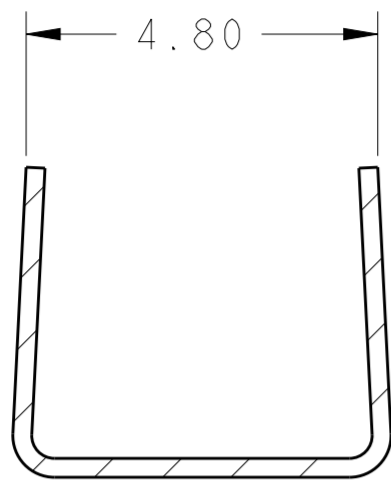


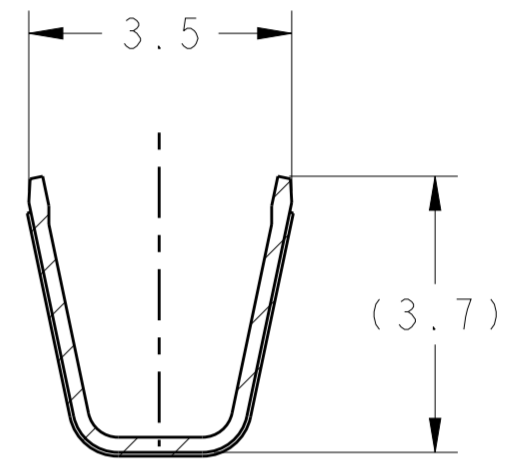
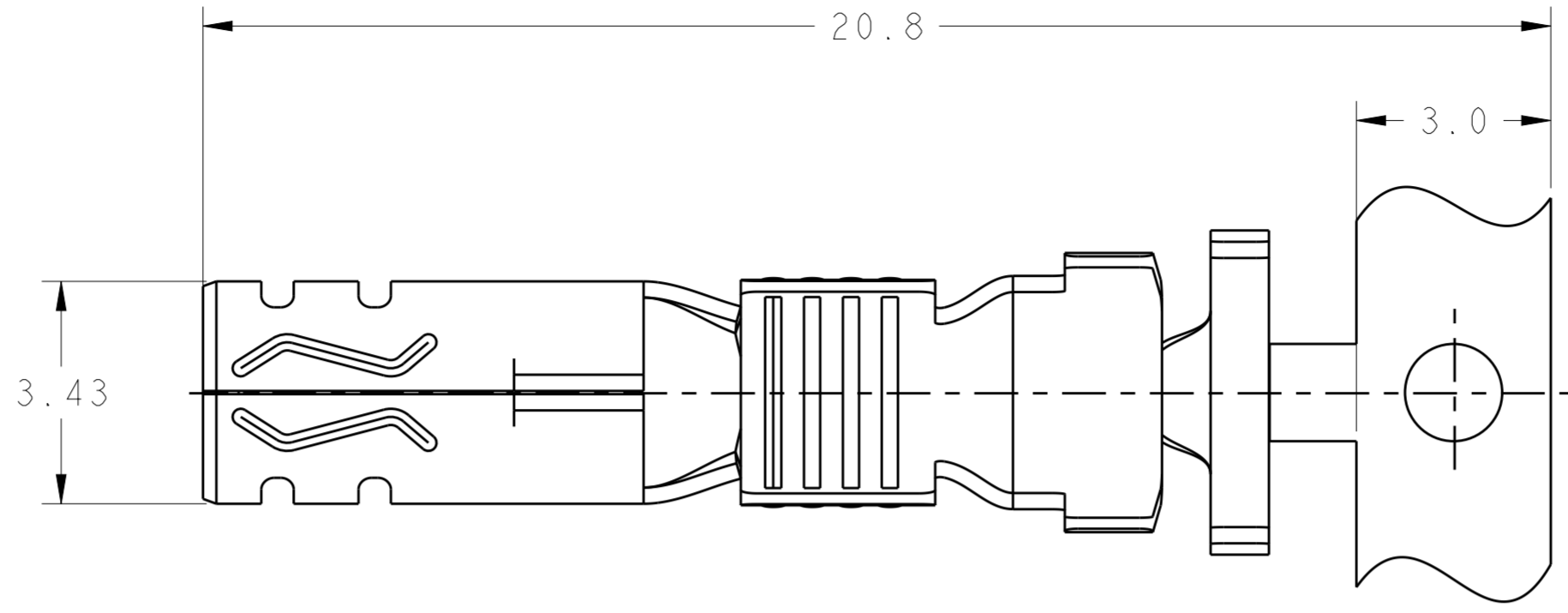
THIS DRAWING IS UNPUBLISHED. RELEASED FOR PUBLICATION 20  
 © COPYRIGHT 20 BY - ALL RIGHTS RESERVED.

LOC ES DIST 00

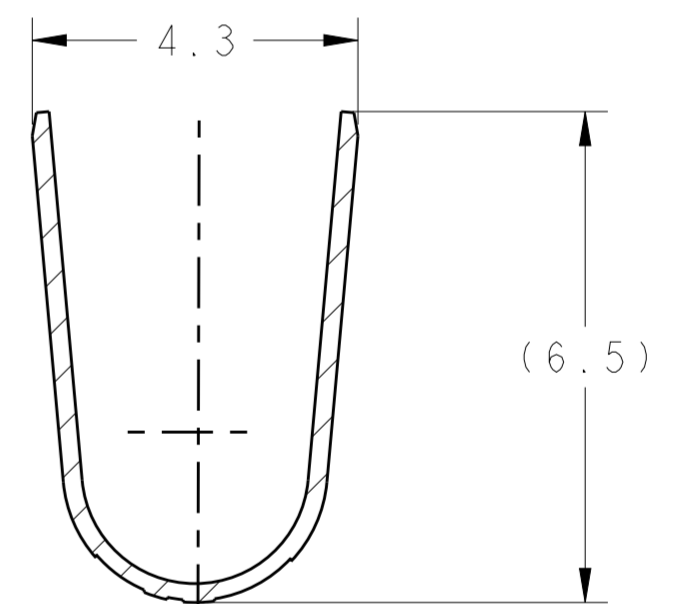
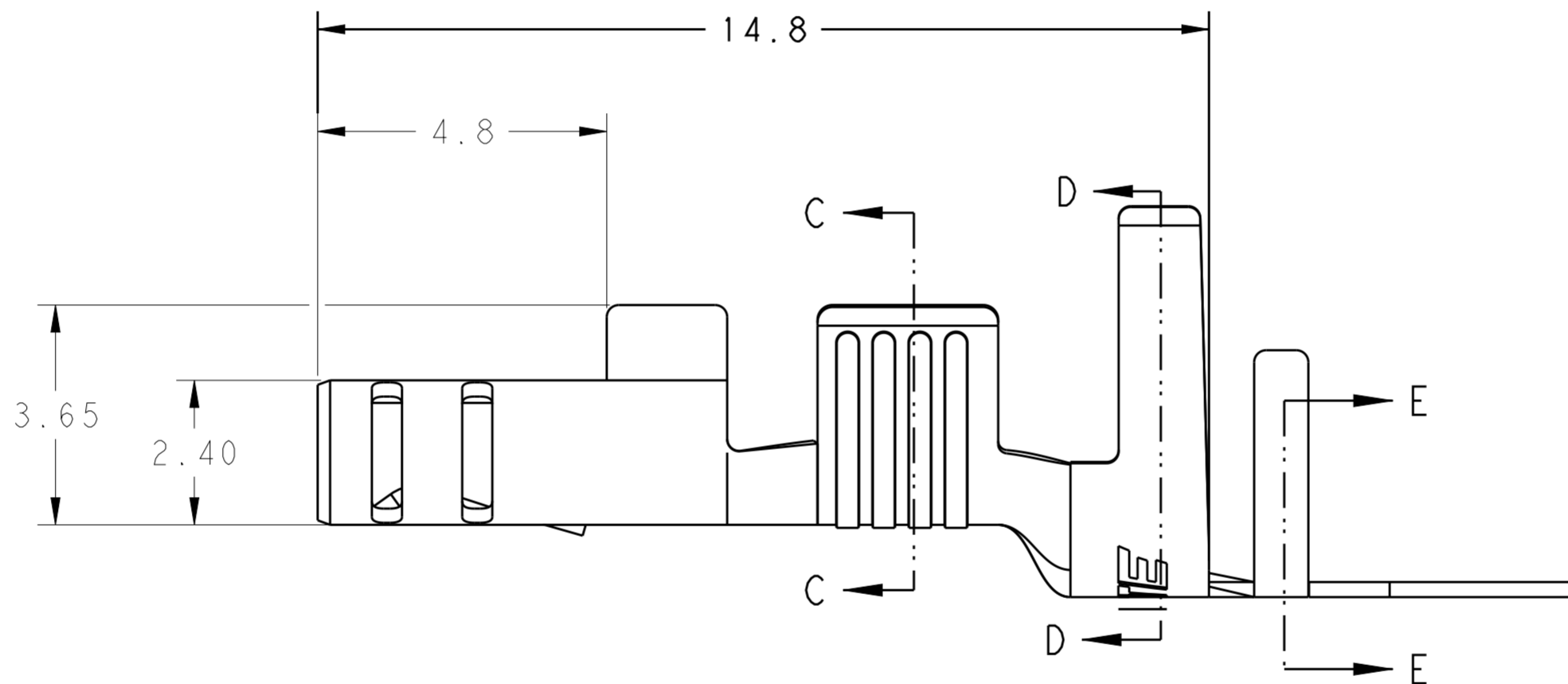
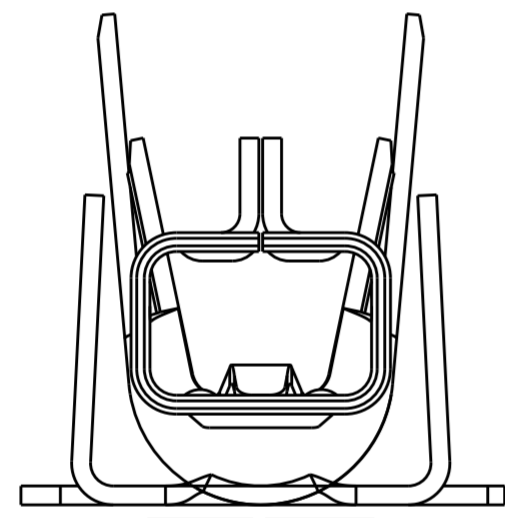
REVISIONS				
P	LTR	DESCRIPTION	DATE	APVD
D		REVISED PER ECO-16-013278	09SEP2016	RS GJ



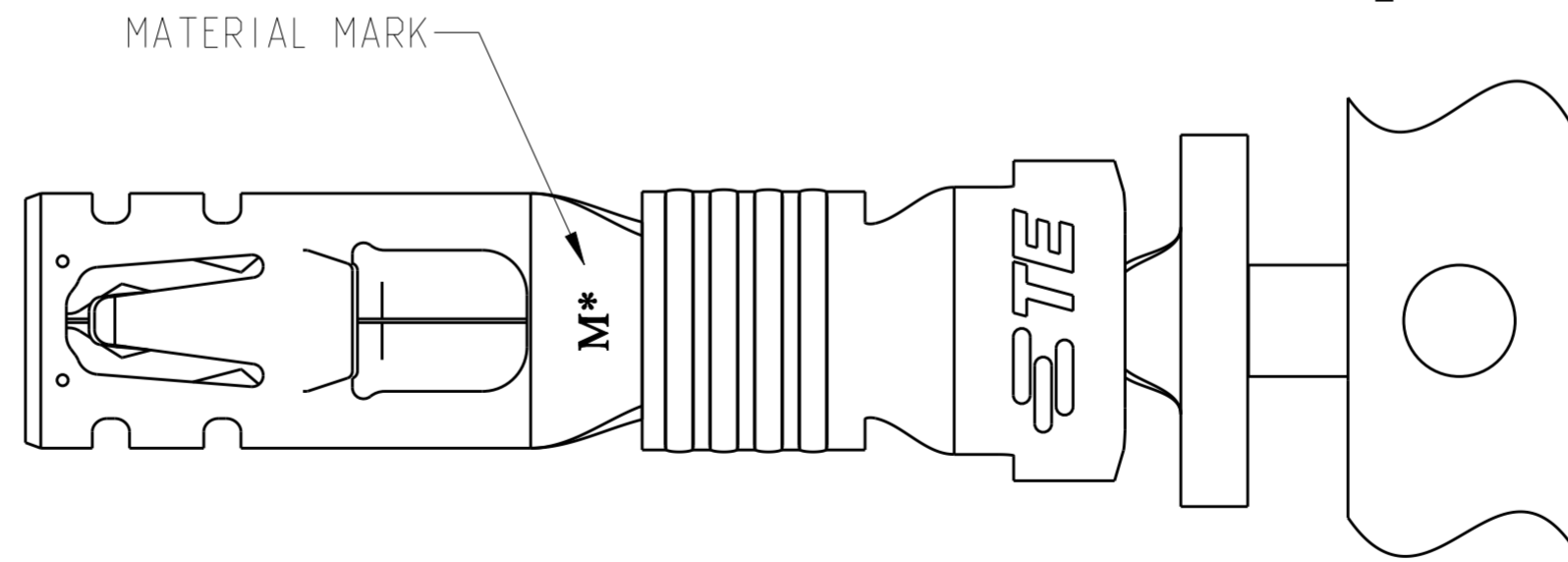
SECTION E-E



SECTION C-C



SECTION D-D



1 MATERIAL: COPPER ALLOY, PRE TIN PLATING.

2 APPLICABLE MATED PLUG HOUSING P/N:  
 \*-1971773-\*/\*-1971776-\*/\*-1971876-\*/  
 /\*-2232265-\*/\*-2232266-\*/\*-2232357-\*

3 APPLICABLE WIRE: 2x18AWG COPPER STRANDED

4 APPLICABLE INSULATION DIAMETER: 2.65~2.95mm

5 THIS PRODUCT HAS NOT COMPLETED VALIDATION TESTING.

HIGH(150°C)	M0	1971787-2
STANDARD(105°C)	M4	1971787-1
TEMP. RATING	MATERIAL MARK	PART NO

THIS DRAWING IS A CONTROLLED DOCUMENT.

DWN TOMMY WU 11 JUL 2012	STE TE Connectivity	
CHK HAPYE WU 11 JUL 2012	RECEPTACLE CONTACT POWER TRIPLE LOCK	
APVD YUHHONG MAO 11 JUL 2012	SIZE A2	CAGE CODE 00779
PRODUCT SPEC 108-106118	DRAWING NO C-1971787	RESTRICTED TO -
APPLICATION SPEC 114-106118	SCALE 5:1	SHEET 1 OF 1
MATERIAL -	WEIGHT -	REV D

Customer Drawing