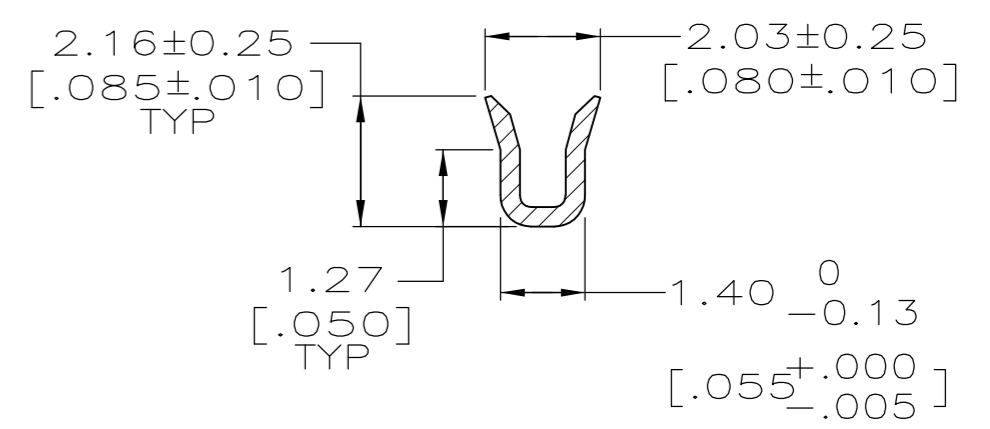
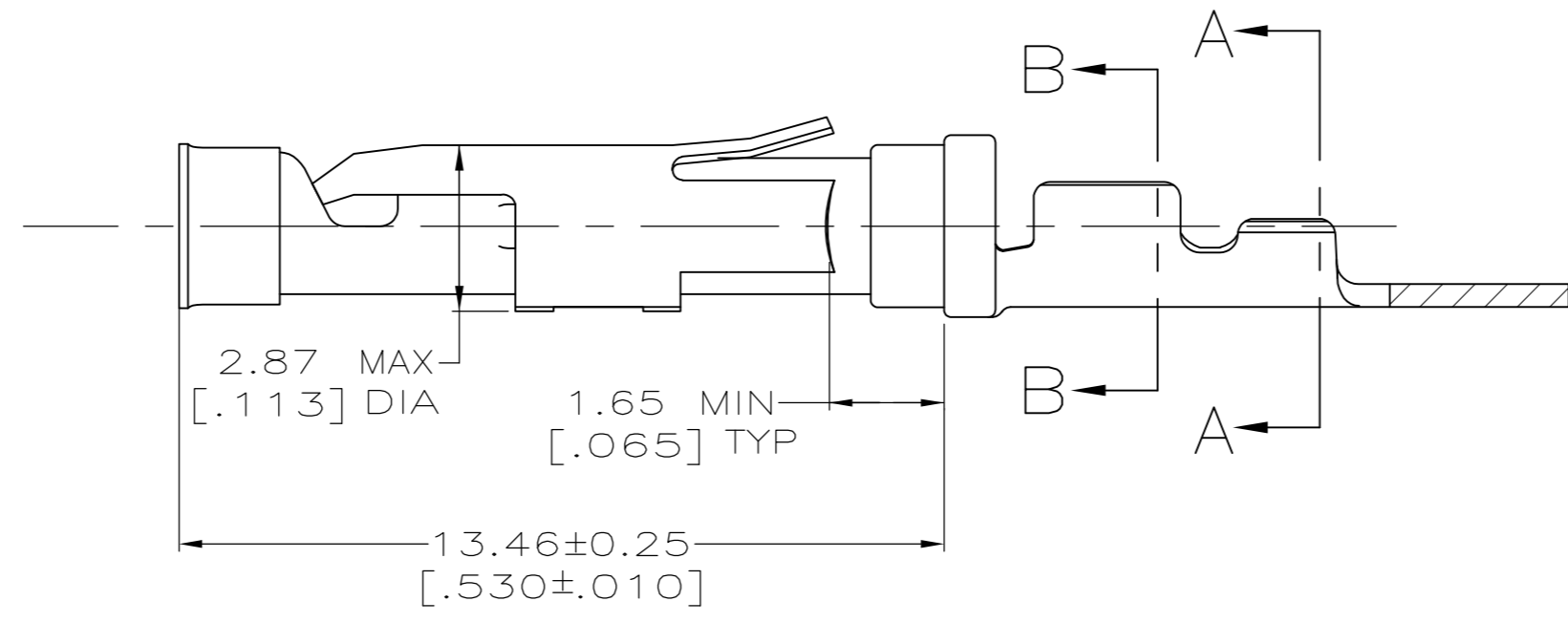
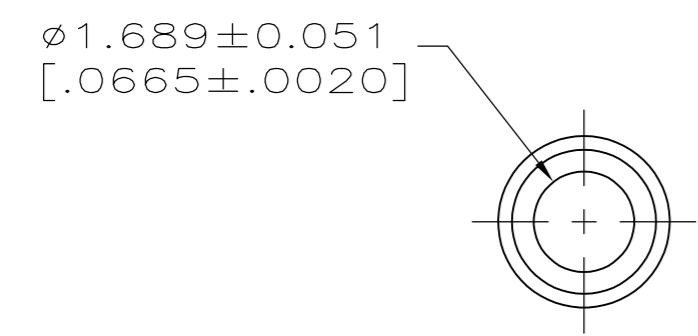
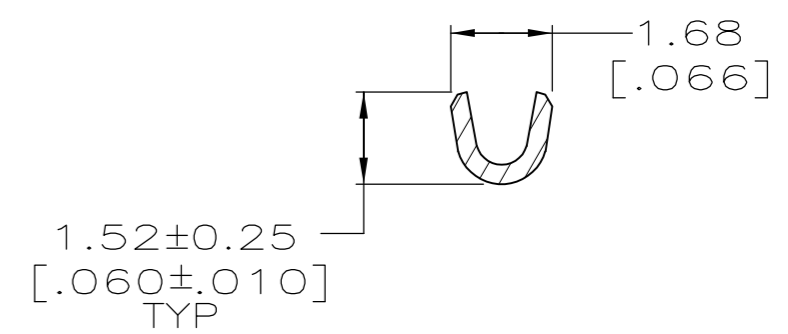
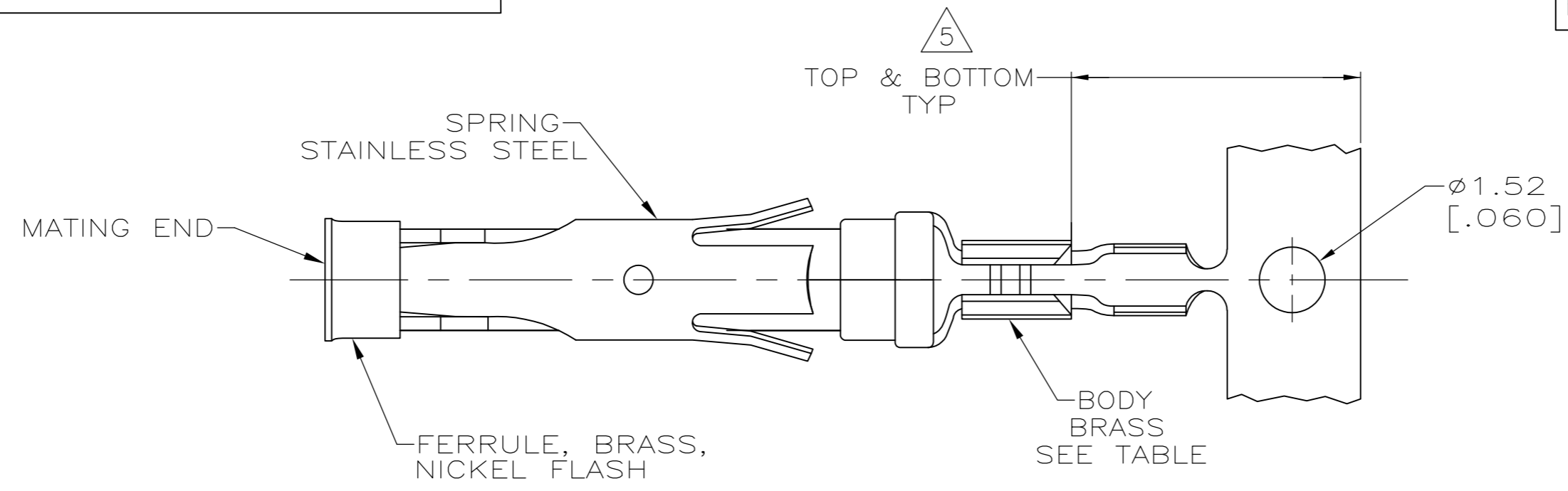


THIS DRAWING IS UNPUBLISHED. RELEASED FOR PUBLICATION
 © COPYRIGHT - By - ALL RIGHTS RESERVED.

LOC	DIST	REVISIONS					
FT	0	P	LTR	DESCRIPTION	DATE	DWN	APVD
		Y		REVISED PER ECO-15-004121	17MAR2015	NK	MZ



- 1 0.76µm [.000030] MIN GOLD PER MIL-G-45204 ON MATING END FOR A LENGTH OF 5.08 [.200] MIN WITH 1.27µm [.000050] MATTE TIN PLATE IN WIRE CRIMP AREA, BOTH OVER 0.76µm [.000030] MIN NICKEL PER QQ-N-290.
- 2 0.76µm [.000030] MIN GOLD PER MIL-G-45204 ON MATING END FOR A LENGTH OF 5.08 [.200] MIN WITH A UNIFORM GRADIENT TO 0.25µm [.000010] MIN GOLD PER MIL-G-45204 ON THE REMAINDER OVER 0.76µm [.000030] MIN NICKEL PER QQ-N-290.
- 3 0.38µm [.000015] MIN GOLD PER MIL-G-45204 ON MATING END FOR A LENGTH OF 5.08 [.200] MIN WITH 1.27µm [.000050] MIN MATTE TIN PLATE IN WIRE CRIMP AREA, BOTH OVER 0.76µm [.000030] MIN NICKEL PER QQ-N-290.
- 4 1.27µm [.000050] MIN GOLD PER MIL-G-45204 ON MATING END FOR A LENGTH OF 5.08 [.200] MIN WITH GOLD FLASH ON REMAINDER OVER 1.90µm [.000075] MIN NICKEL PER QQ-N-290.
- 5 GOLD PLATING NEED NOT APPEAR IN THIS AREA EXCEPT 1-66394-2 HAS GOLD PLATING ON INSULATION BARREL.
- 6 REVERSE REELED FOR MINI-APPLICATOR.
- 7 WIRE RANGE 26-30 AWG. INSULATION RANGE 0.36 [.014]-0.76 [.030].
- 8 0.38µm [.000015] MIN GOLD PER MIL-G-45204 ON MATING END FOR A LENGTH OF 5.08 [.200] MIN, 1.27µm [.000050] MIN TIN-LEAD PER MIL-T-10727 FOR A LENGTH OF 5.69 [.224] MIN ON OPPOSITE END, BOTH OVER 1.27µm [.000050] MIN NICKEL PER QQ-N-290 ON ENTIRE CONTACT.
- 9 0.38µm [.000015] MIN GOLD PER MIL-G-45204 ON MATING END FOR A LENGTH OF 5.08 [.200] MIN, 1.27µm [.000050] MIN TIN PER MIL-T-10727 FOR A LENGTH OF 5.69 [.224] MIN ON OPPOSITE END, BOTH OVER 1.27µm [.000050] MIN NICKEL PER QQ-N-290 ON ENTIRE CONTACT.
- 10 OBSOLETE PARTS: OBSOLETE CIS STREAMLINING PER D.RENAUD/D.SINISI
- 11 OBSOLETE

10	SUPERSEDED BY 66394-7	6	9	-	-1-66394-5-
	SUPERSEDED BY 66394-7	6	8	11-66405-8	-1-66394-4-
	OBSOLETE	6	4	-	-1-66394-2-
		6	1	66405-4	66394-8
		6	3	-	66394-7
		6	2	66405-1	66394-5
	STANDARD	1	1	66405-4	66394-4
	STANDARD	2	2	66405-1	66394-1
	REELING		BODY FINISH	LOOSE PIECE REF	PART NO.

THIS DRAWING IS A CONTROLLED DOCUMENT.		DWN	R.SHIREY	08/06/91	TE TE Connectivity	
DIMENSIONS: mm [INCHES]		CHK	R.STONE	9-19-91		
TOLERANCES UNLESS OTHERWISE SPECIFIED:		APVD	-	-	NAME	
0 PLC ± -		PRODUCT SPEC	-	-	SOCKET ASSEMBLY, .062, TYPE III+	
1 PLC ± -		APPLICATION SPEC	-	-	SIZE	CAGE CODE
2 PLC ± 0.13 [.005]		WEIGHT	-	-	A2	00779
3 PLC ± -		CUSTOMER DRAWING	-	-	DRAWING NO	RESTRICTED TO
4 PLC ± -					C=66394	-
ANGLES ± -					SCALE	SHEET
FINISH					8:1	1 of 1
SEE CALLOUTS					REV	Y