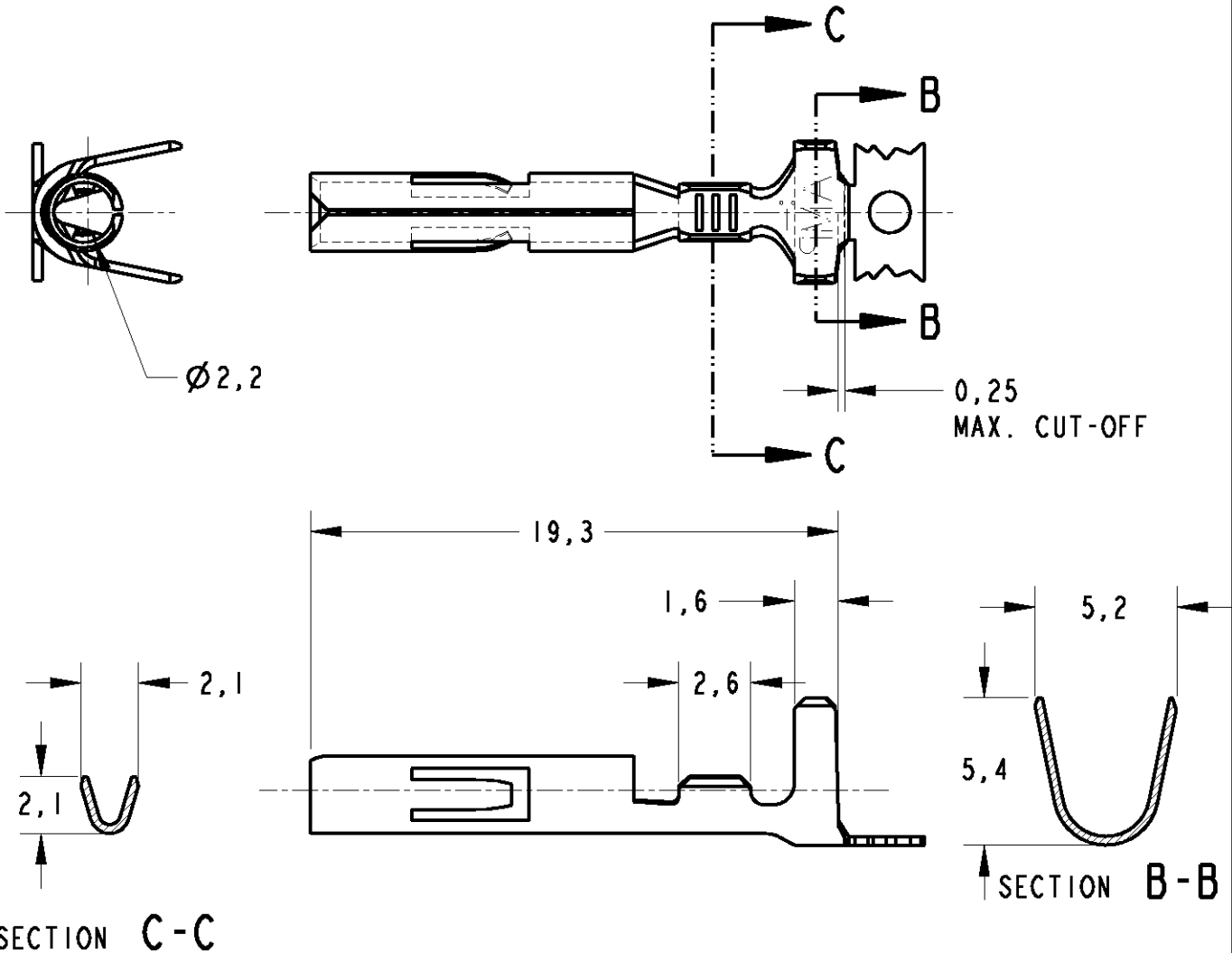


LOC	DIST	REVISIONS					
AP	-	P	LTR	DESCRIPTION	DATE	DWN	APVD
			O	WAS 2000-LB00-0107-01	14JUL00	H.C	WLS
			A	REVISED BY EC LB00-0193-02	16JUL2002	H.C	WLS
			B	Revised By ECR-05-011724	04-oct-05	H.C	WLS

1-FORÇA DE RETENÇÃO DO CONTATO DEVE SER DE 50N QUANDO TESTADO COM O GAGE 92-339025-033. B
CONTACT RETENTION FORCE MUST BE 50N WHEN TESTED WITH THE GAGE 92-339025-033



WIRE RANGE 0,2/0,5mm ²	INS. RANGE Ø3,5mm	NÚ/NONE	LATÃO/BRASS	1380047-1
		FINISH	MATERIAL	PART NUMBER

DIMENSIONS: mm	DWN H.C. CANTERI	14JUL00	MATERIAL	FINISH		
	CHK W.L. STEFANI	14JUL00	AMP do Brasil LTDA. São Paulo, Brasil			
TOLERANCES UNLESS OTHERWISE SPECIFIED:	APVD	-	NAME 2,3mm. DIA. IGNITION SOCKET			
	PRODUCT SPEC	-				
0 PLC ±-	APPLICATION SPEC	-	SIZE	CAGE CODE	DRAWING NO	RESTRICTED TO
1 PLC ±0,3	WEIGHT	-	A4	00779	©-1380047	-
2 PLC ±0,2	CUSTOMER DRAWING		SCALE	SHEET	OF	REV
3 PLC ±-			5/1	1	1	B
4 PLC ±-						
ANGLES ±-						

19 RELEASED FOR PUBLICATION

THIS DRAWING IS UNPUBLISHED. BY TYCO ELECTRONICS CORPORATION. ALL RIGHTS RESERVED. COPYRIGHT 19