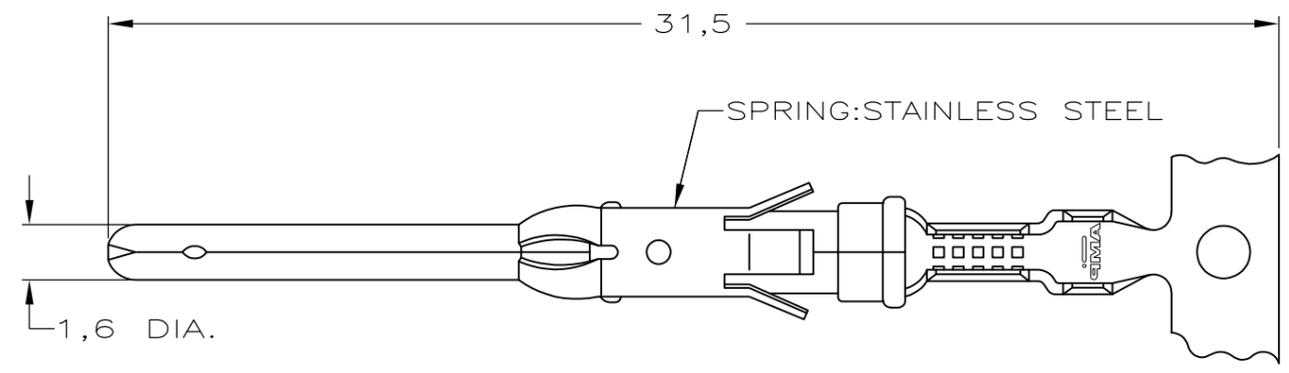
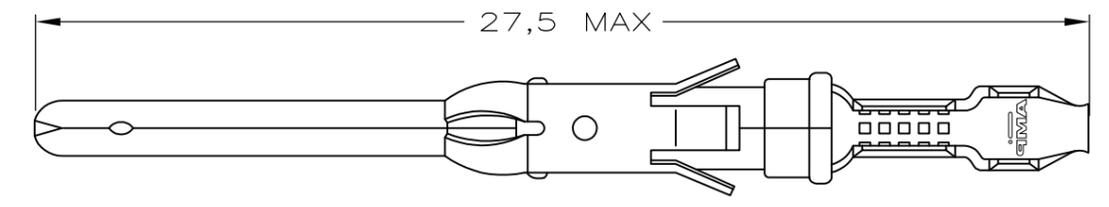


THIS DRAWING IS UNPUBLISHED. RELEASED FOR PUBLICATION  
 © COPYRIGHT - By - ALL RIGHTS RESERVED.

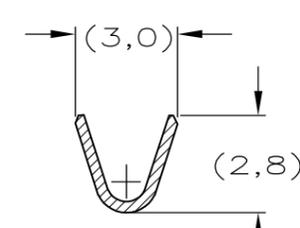
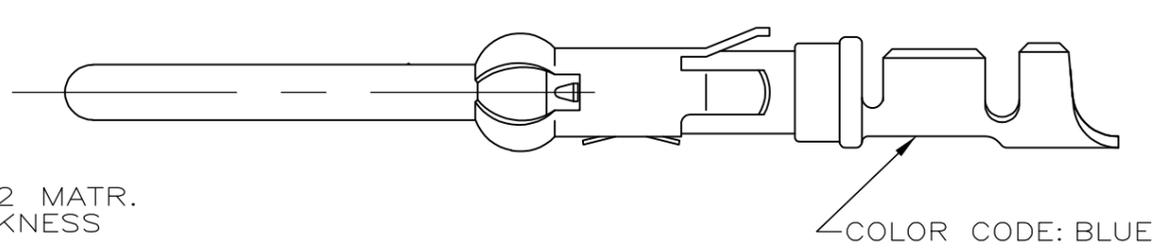
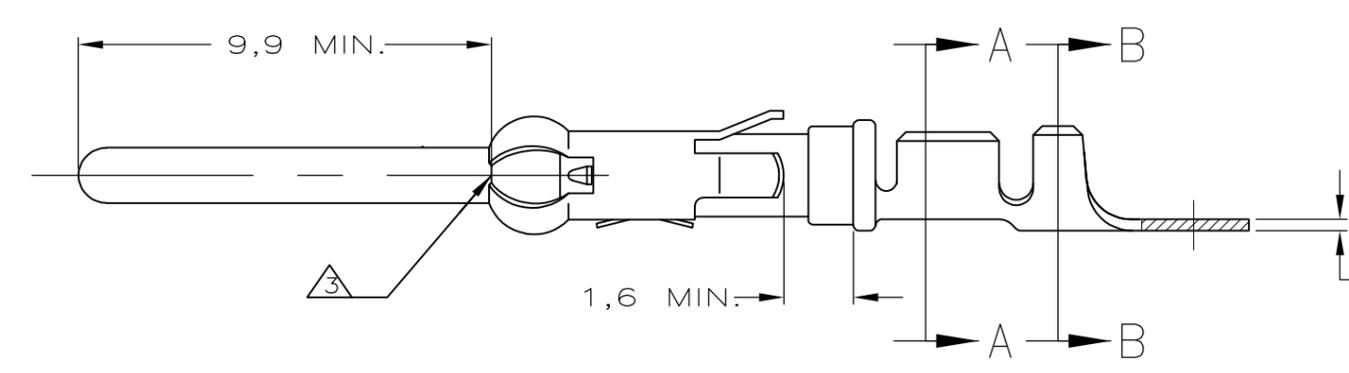
| LOC | DIST | P  | LTR | DESCRIPTION  | DATE       | DWN | APVD |
|-----|------|----|-----|--|------------|-----|------|
| -   | -    | G2 |     | ADDITION OF NOTE 5, TEXT "MAX" TO DIM 27.5 IN ZONE D2 AND TEXT "REF" DIM 3.0, 2.8, 3.7, & 3.0 IN ZONE B4 & B3. | 21JULY2015 | TJ  | PS   |



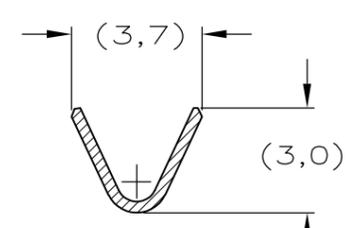
STRIP



LOOSE-PIECE



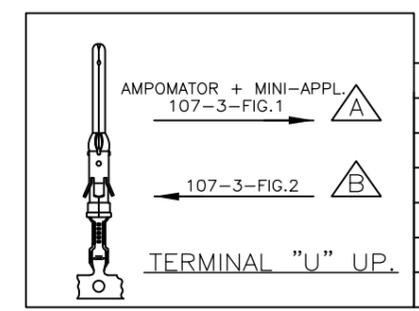
SECTION A-A



SECTION B-B

WIRE RANGE : 0,75-1,50 mm<sup>2</sup> (18-16 AWG)  
 INSUL. RANGE : 2,0-2,5 mm (.080-.100)

- NOTES :
- FOR CRIMP DETAILS SEE SPEC. 114-19.000 .
  - MEETS PRODUCT SPECIFICATION 108-10042.
  - 0,40 MAX. GAP BETWEEN SPRING-NOSE AND CONTACT BODY.
  - OBSELETE PARTS: OBSELETE CIS STREAMLINING PER D.RENAUD/D.SINISI
  - OMISSION OF 6 CONTACTS MAX PER REEL OF 5000PCS.



| PART NUMBER | DIRECTION OF REEL | LOOSE-PIECE | MATERIAL  | PLATING   |
|-------------|-------------------|-------------|-----------|-----------|
| 163766-5    | B                 |             | PH.BRONZE | EL.TIN    |
| 163766-4    | A                 | 164839-4    | PH.BRONZE | ECON.GOLD |
| 163766-3    | A                 | 164839-3    | PH.BRONZE | SILVER    |
| 163766-2    | A                 | 164839-2    | PH.BRONZE | SEL.GOLD  |
| 163766-1    | A                 | 164839-1    | PH.BRONZE | EL.TIN    |

| NOTES | MATERIAL                | THICKNESS | AREA                                 |
|-------|-------------------------|-----------|--------------------------------------|
| 20    | TIN                     | 2,0 μm    | ALL OVER                             |
| 21    | NICKEL<br>GOLD<br>TIN   | 0,8 μm    | ALL OVER<br>CONTACT AREA<br>BARREL   |
| 22    | NICKEL<br>GOLD<br>GOLD  | 0,8 μm    | ALL OVER<br>CONTACT AREA<br>ALL OVER |
| 23    | NICKEL<br>GOLD<br>GOLD  | 1,2 μm    | ALL OVER<br>CONTACT AREA<br>ALL OVER |
| 27    | NICKEL<br>SILVER<br>TIN | 2,5 μm    | ALL OVER<br>CONTACT AREA<br>BARREL   |
| 28    | SILVER                  | 0,5 μm    | ALL OVER                             |
| 29    | SILVER                  | 2,5 μm    | ALL OVER                             |

THIS DRAWING IS A CONTROLLED DOCUMENT.

| DIMENSIONS: | TOLERANCES UNLESS OTHERWISE SPECIFIED: |
|-------------|--|
| mm          | 0 PLC ± -                              |
|             | 1 PLC ± -                              |
|             | 2 PLC ± -                              |
|             | 3 PLC ± -                              |
|             | 4 PLC ± -                              |
|             | ANGLES ± -                             |
| MATERIAL    | FINISH                                 |
| -           | -                                      |

|                  |              |            |
|------------------|--------------|------------|
| DWN              | L.V.D.HEYDEN | 19.08.1987 |
| CHK              | P.V.D.HAGEN  | -          |
| APVD             | L.V.SOEST    | -          |
| PRODUCT SPEC     | 108-10042    | -          |
| APPLICATION SPEC | 114-19000    | -          |
| WEIGHT           | -            | -          |
| CUSTOMER DRAWING |              |            |



TYPE III+, SIZE 16, PIN ASS'Y,  
 18-16 AWG, 2.0-2.5mm DIA INSULATION

|       |    |           |        |            |          |               |   |
|-------|----|-----------|--------|------------|----------|---------------|---|
| SIZE  | A3 | CAGE CODE | 00779  | DRAWING NO | C-163766 | RESTRICTED TO | - |
| SCALE | -  | SHEET     | 1 OF 1 | REV        | G2       |               |   |