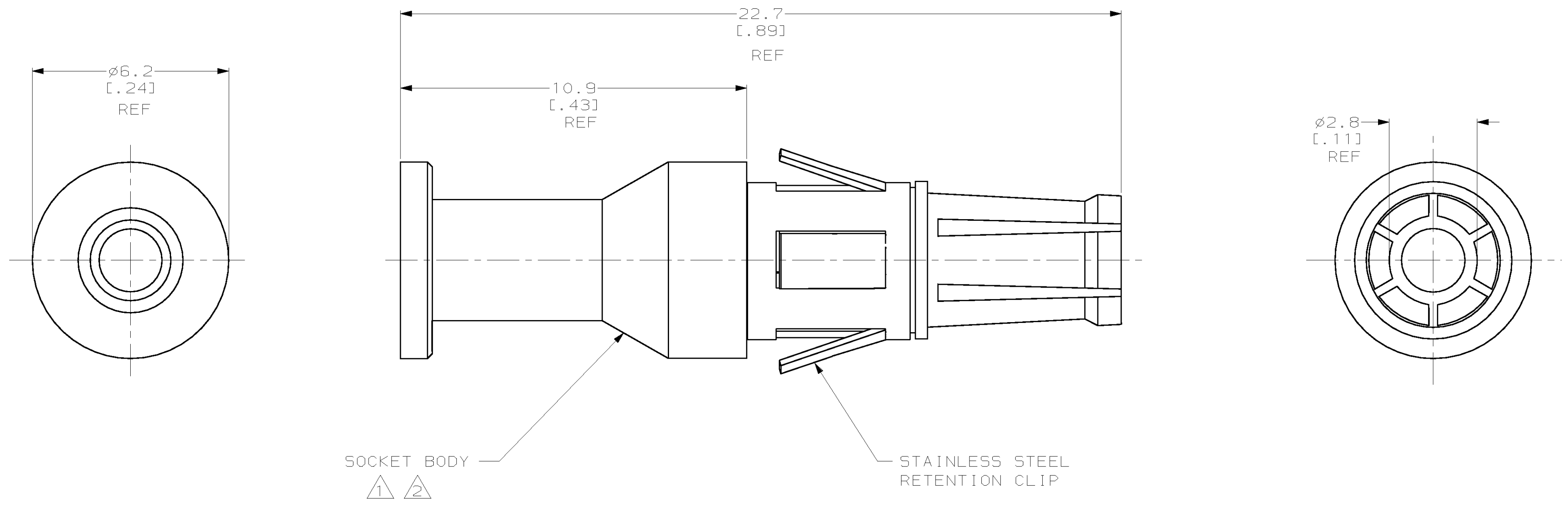


THIS DRAWING IS UNPUBLISHED. RELEASED FOR PUBLICATION
 (C) COPYRIGHT 19 BY AMP INCORPORATED. ALL RIGHTS RESERVED.

LOC	DIST	REVISIONS					
		P	LTR	DESCRIPTION	DATE	DWN	APVD
CH	11	0		RELEASED. WAS 97-0790-002	05/MAY/97	RNP	PRG

- 1 MATERIAL: BERYLLIUM COPPER ALLOY.
- 2 FINISH: 50 μIN MIN. THICK GOLD OVER
50 μIN MIN. THICK NICKEL.



194245-1
PART NO.

THIS DRAWING IS A CONTROLLED DOCUMENT.		DWN	13/JAN/97	
		R	N POLK	
		APVD		
		NAME	AMP Incorporated Harrisburg, PA 17105-3608	
DIMENSIONS: mm [in]		PRODUCT SPEC		
		APPLICATION SPEC		
		SIZE	CAGE CODE	DRAWING NO
		A2	00779	C-194245
MATERIAL		CUSTOMER DRAWING		
		SCALE	SHEET	OF
		10/1	1	1
		REV	0	