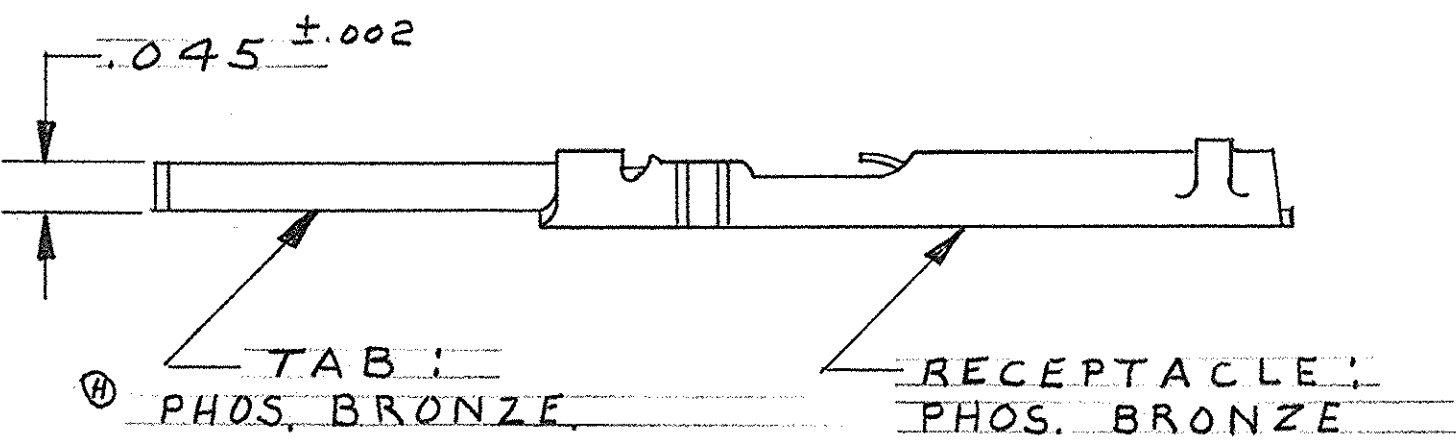
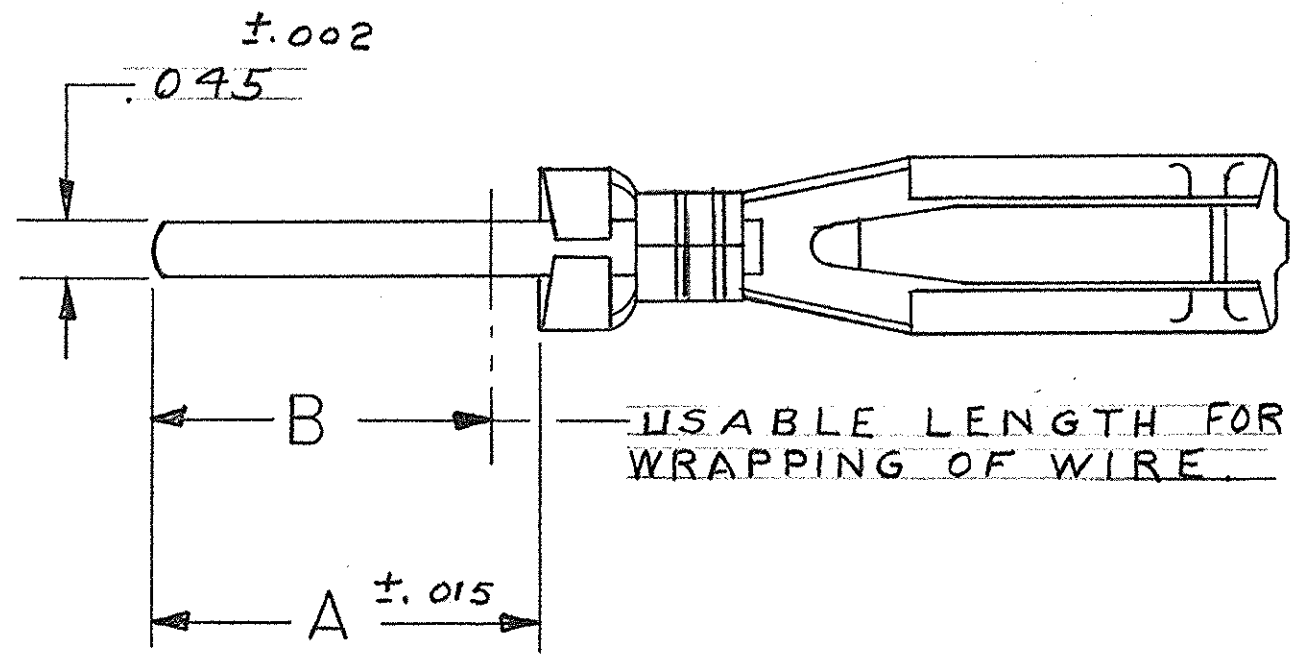


© COPYRIGHT 19 63 BY AMP INCORPORATED, HARRISBURG, PA.
 ALL INTERNATIONAL RIGHTS RESERVED. AMP INCORPORATED PRODUCTS
 COVERED BY U. S. AND FOREIGN PATENTS AND/OR PATENTS PENDING.

REVISIONS						
P	F	ZONE	LTR	DESCRIPTION	DATE	APPROVED
			G	REDRAWN & REVISED 6188	8-79	
			H	REVISED 6294	10-79	
			H1	REVISED 6869 D&E	9-8-80	
			H2	ADDED 1-9 7844 AMS	3-82	EAM
			J	REV PER 0H14-0139-05	1-06	PY RG



.410	.370	△4		6-582364-5
.410	.370		△3	6-582364-1
.850	.810		△1	1-582364-9
1.040	1.000	△2		1-582364-8
.810	.770		△2	1-582364-7
.640	.600		△2	1-582364-6
.410	.370		△2	1-582364-5
1.040	1.000	△1		1-582364-4
.810	.770		△1	1-582364-3
.640	.600		△1	1-582364-2
.410	.370		△1	1-582364-1

- △1. RECEPTACLE CONTACT: .000030 GOLD
TAB: TIN-LEAD PLATED
- △2. RECEPTACLE CONTACT: .000015 GOLD
TAB: TIN-LEAD PLATED
- △3. RECEPTACLE CONTACT: .000030 GOLD
TAB: TIN PLATED
- △4. RECEPTACLE CONTACT: .000015 GOLD
TAB: TIN PLATED

UNLESS OTHERWISE SPECIFIED DIMENSIONS ARE IN INCHES. TOLERANCES ON: DECIMALS ±.015 ANGLES ±	CONTRACT NO	AMP INCORPORATED Harrisburg, Pa.		
	DR <i>M. Smith</i> 8-15-79			
	MATERIAL SEE CALLOUT	APPD <i>E. Parsons</i> 8-17-79	NAME AMP BLADE RECEPTACLE, WRAP TYPE	
	FINISH SEE TABLE	CHK <i>EP</i>	APPD <i>W. Thoutch</i> 8-17-79	
	DSGN APPD	SIZE B	CODE IDENT NO 00779	DRAWING NO 582364
	OTHER APPD	SCALE #		SHEET