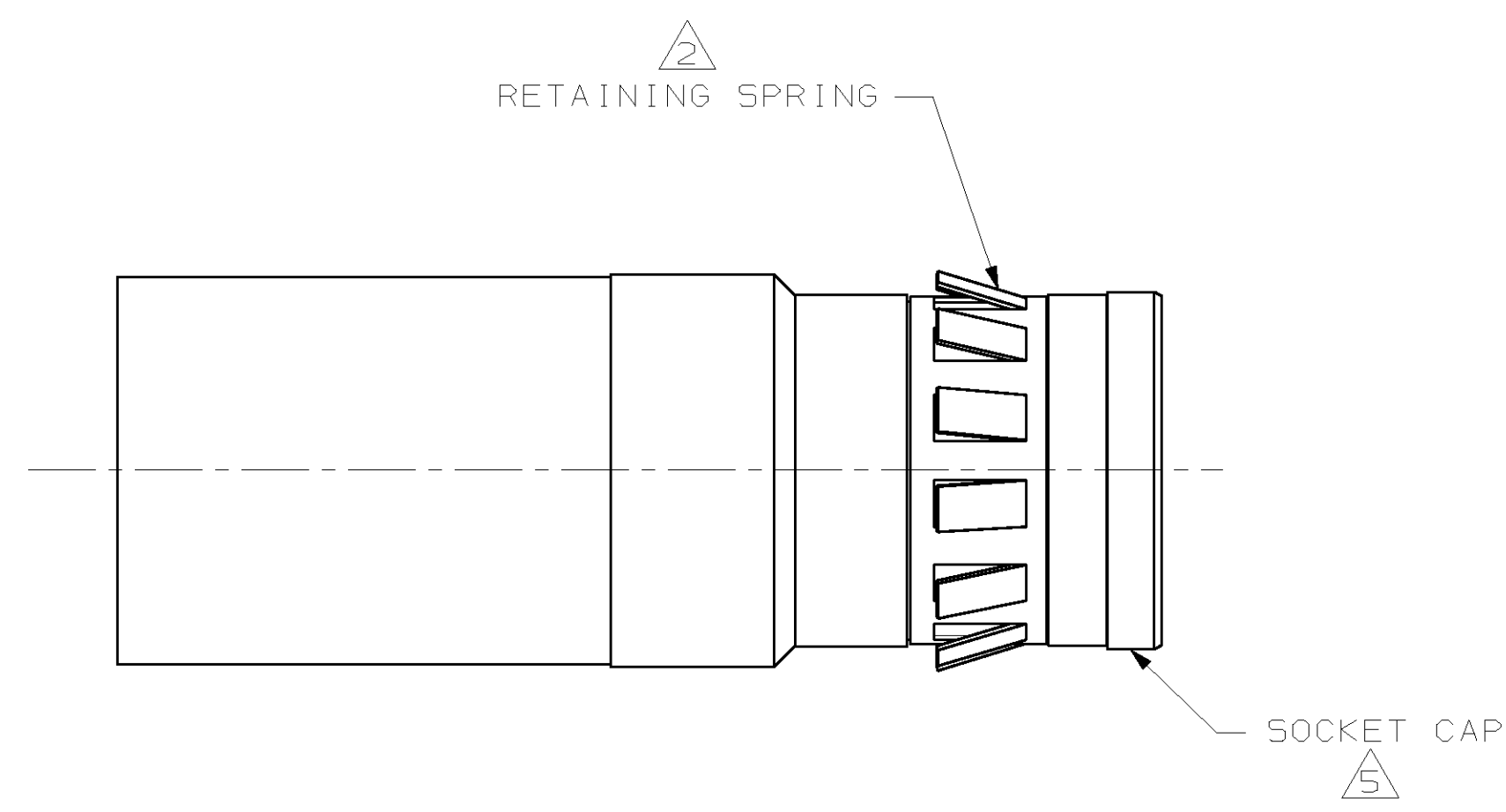
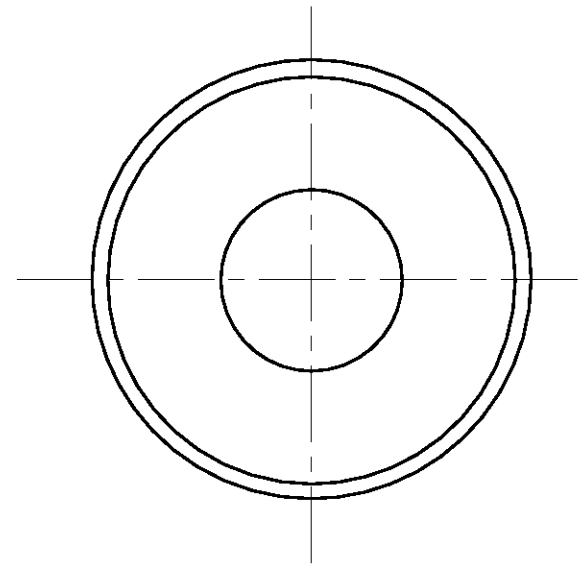
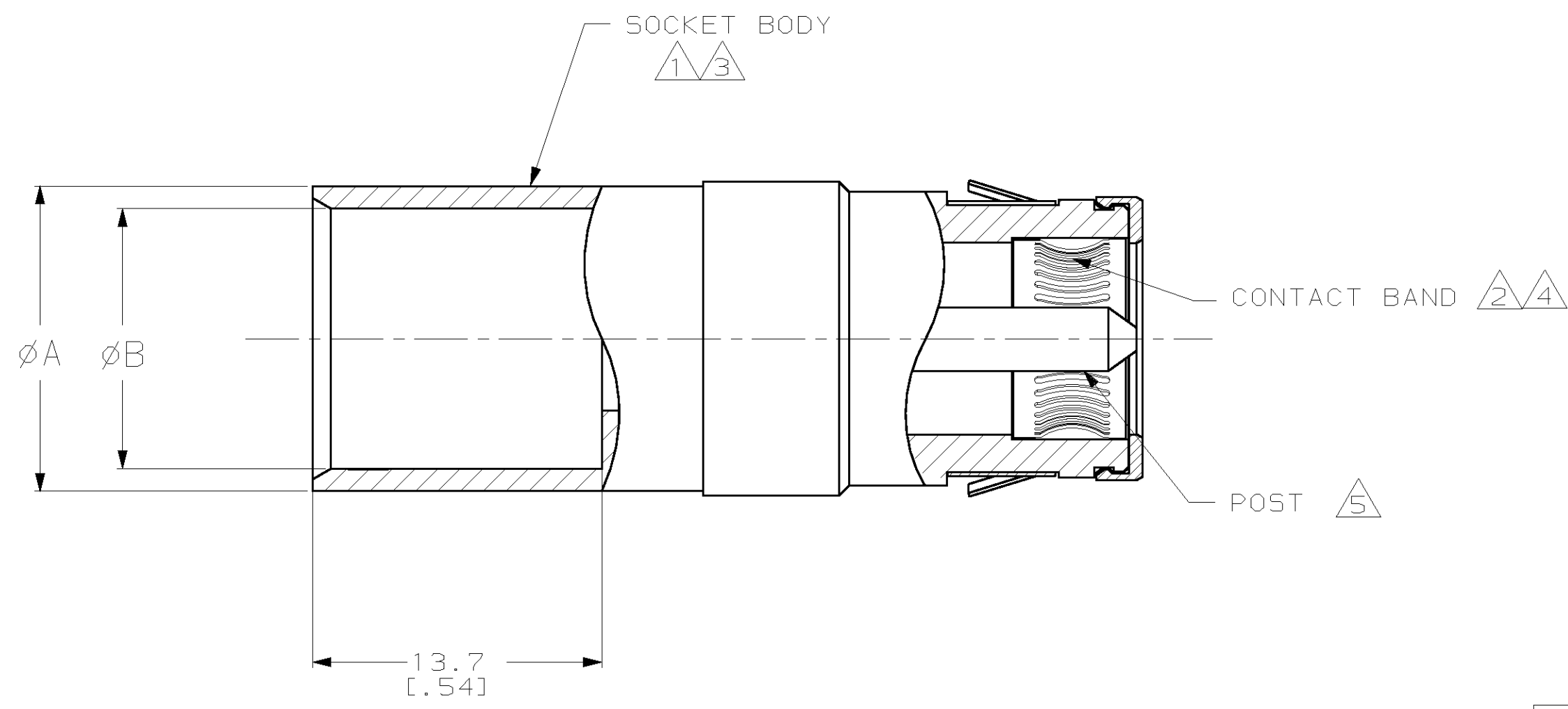


THIS DRAWING IS UNPUBLISHED. RELEASED FOR PUBLICATION
 BY AMP INCORPORATED. ALL RIGHTS RESERVED.

LOC	DIST	REVISIONS			
P	LTR	DESCRIPTION	DATE	DWN	APVD
CH	11				
	0	RELEASED FOR PRODUCTION	03/JUL/96	RNP	-
	A	ECN 96070301	29/SEP/95	RNP	
	B	ECN 96092602	26/SEP/96	RNP	RAR
	C	EC 0B20-1518-97	24/OCT/97	RNP	RAR
	D	EC 0B20-1709-97	03/DEC/97	RNP	RAR
	E	EC 0B20-0183-98	04/FEB/98	RNP	RAR



- 1 MATERIAL: TELLURIUM COPPER
- 2 MATERIAL: BeCu.
- 3 FINISH: SILVER PLATE 5 μM [200 μIN] THICK MIN. OVER 1.2 μM [50 μIN] THICK MIN. NICKEL OVER 0.1 μM [5 μIN] THICK MIN. COPPER FLASH.
- 4 FINISH: SILVER PLATE 5 μM [200 μIN] THICK MIN. OVER 1 μM [40 μIN] THICK MIN. NICKEL.
- 5 MATERIAL: DIELECTRIC POLYMER.
- 6. ALL DIMENSIONS ARE REFERENCE.



-	-	-	-
# 1/0	12.37 [.487]	14.45 [.569]	194037-2
WIRE AWG	øB	øA	PART NUMBER

<small>THIS DRAWING IS A CONTROLLED DOCUMENT FOR AMP INCORPORATED. IT IS SUBJECT TO CHANGE AND THE CONTROLLING ENGINEERING ORGANIZATION SHOULD BE CONTACTED FOR THE LATEST REVISION.</small>		DWN	29/SEP/95	AMP Incorporated Harrisburg, PA 17105-3608
DIMENSIONS: mm [in]		CHK	-	
TOLERANCES UNLESS OTHERWISE SPECIFIED:		APVD	-	PRODUCT SPEC - APPLICATION SPEC - WEIGHT - CUSTOMER DRAWING
0 PLC ±- 1 PLC ±- 2 PLC ±- 3 PLC ±- 4 PLC ±- ANGLES ±- FINISH SEE NOTES		NAME	-	
MATERIAL SEE NOTES		SIZE CAGE CODE DRAWING NO A2 00779 C=194037		SHEET 1 OF 1 REV E