

FIGURE A

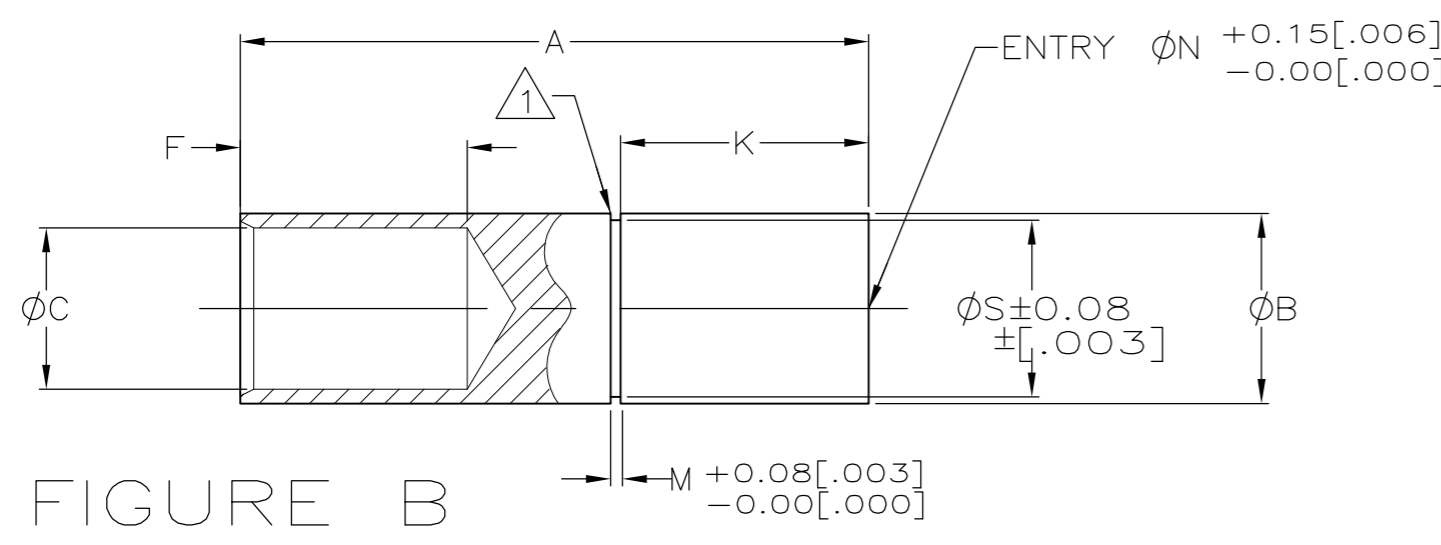


FIGURE B

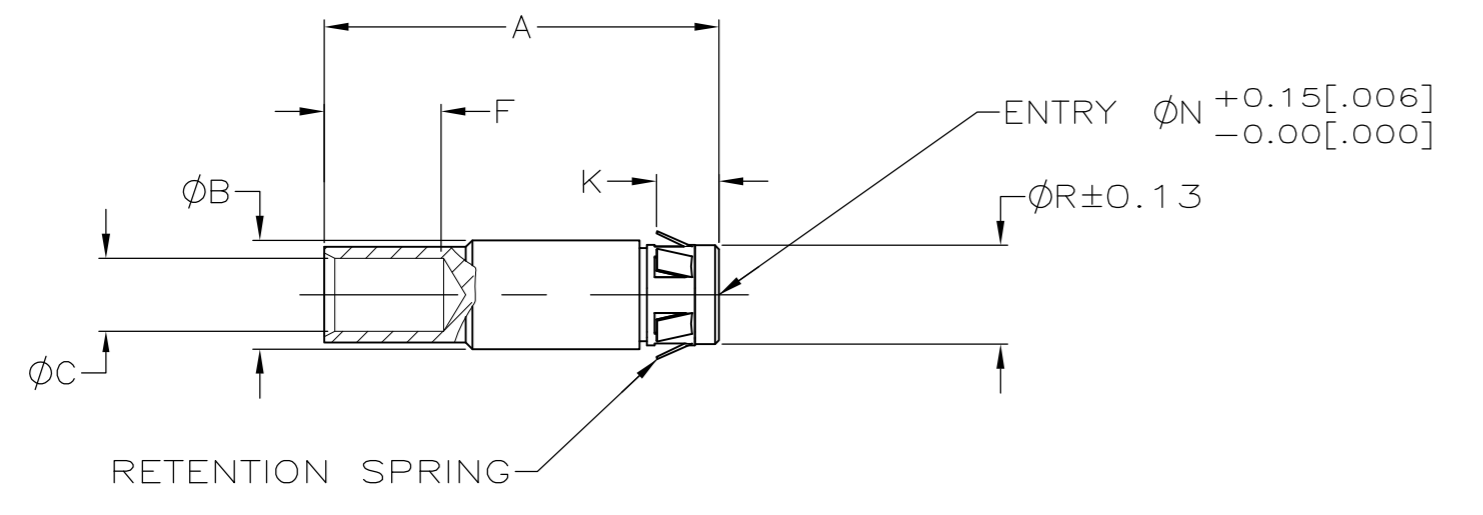


FIGURE D

44.93	-	35.10	1.73	55.88	53.6	36.19	47.62	140.5	A	35mm	1000 MCM	1-193673-9	3	
[1.769]	N/A	[1.382]	[.068]	[2.200]	[2.11]	[1.425]	[1.875]	[5.53]						
44.93	-	35.10	1.73	55.88	45	30.43	47.62	129.5	A	35mm	700 MCM	1-193673-8	3	
[1.769]	N/A	[1.382]	[.068]	[2.200]	[1.77]	[1.198]	[1.875]	[5.10]						
40.36	-	30.12	1.73	55.88	53.6	36.19	42.80	139.4	B	30mm	1000 MCM	1-193673-7	3	
[1.589]	N/A	[1.186]	[.068]	[2.200]	[2.11]	[1.425]	[1.685]	[5.49]						
40.36	-	30.12	1.73	55.88	45	30.43	42.80	127.2	A	30mm	700 MCM	1-193673-6	3	
[1.589]	N/A	[1.186]	[.068]	[2.200]	[1.77]	[1.198]	[1.685]	[5.01]						
37.29	-	25.09	1.73	55.88	50.8	34.98	40.66	135.4	B	25mm	900 MCM	1-193673-5	3	
[1.468]	N/A	[.988]	[.068]	[2.200]	[2.00]	[1.377]	[1.601]	[5.33]						
37.29	-	25.09	1.73	55.88	41.7	27.94	40.66	123.4	A	25mm	600 MCM	1-193673-4	3	
[1.468]	N/A	[.988]	[.068]	[2.200]	[1.64]	[1.100]	[1.601]	[4.86]						
25.35	-	20.09	1.42	35.56	32.5	23.11	27.23	89.9	B	20mm	400 MCM	1-193673-3	3	
[.998]	N/A	[.791]	[.056]	[1.400]	[1.28]	[.910]	[1.072]	[3.54]						
25.35	-	20.09	1.42	35.56	25.9	18.31	27.23	80.5	A	20mm	250 MCM	1-193673-2		
[.998]	N/A	[.791]	[.056]	[1.400]	[1.02]	[.721]	[1.072]	[3.17]						
22.40	-	16.10	1.17	33.02	28.4	20.04	23.57	80	B	16mm	300 MCM	1-193673-1	3	
[.882]	N/A	[.634]	[.046]	[1.300]	[1.12]	[.789]	[.928]	[3.15]						
22.40	-	16.10	1.17	33.02	24.1	16.94	23.57	73.9	A	16mm	4/0	1-193673-0	3	
[.882]	N/A	[.634]	[.046]	[1.300]	[.95]	[.677]	[.928]	[2.91]						
18.62	-	12.09	1.17	30.48	24.1	17.22	20.19	70.1	B	12mm	4/0	1-193673-9	3	
[.733]	N/A	[.476]	[.046]	[1.200]	[.95]	[.678]	[.795]	[2.76]						
18.62	-	12.09	1.17	30.48	19.6	13.74	20.19	63.7	A	12mm	2/0	193673-8		
[.733]	N/A	[.476]	[.046]	[1.200]	[.77]	[.541]	[.795]	[2.51]						
SEE SHEET 2											8mm	1/0	193673-7	
-	13.51	8.10	-	5.2	14.2	9.91	14.45	57.4	D	8mm	2	193673-6		
N/A	[.532]	[.319]	N/A	[.21]	[.56]	[.390]	[.569]	[2.26]						
-	9.45	6.04	-	5.2	11.4	7.36	10.41	37.6	D	6mm	4	193673-5		
N/A	[.372]	[.238]	N/A	[.21]	[.45]	[.290]	[.410]	[1.48]						
-	9.45	6.04	-	5.2	9.4	5.97	10.41	36.1	D	6mm	6	193673-4		
N/A	[.372]	[.238]	N/A	[.21]	[.37]	[.235]	[.410]	[1.42]						
-	6.65	4.09	-	6.2	9.1	4.60	7.62	33.3	D	4mm	8	193673-3		
N/A	[.262]	[.161]	N/A	[.25]	[.36]	[.181]	[.300]	[1.31]						
-	6.65	4.09	-	6.2	9.1	3.68	7.62	33.3	D	4mm	10	193673-2		
N/A	[.262]	[.161]	N/A	[.25]	[.36]	[.145]	[.300]	[1.31]						
-	4.75	2.23	-	5.2	9.1	2.54	5.89	28.7	D	2mm	12/14	193673-1		
N/A	[.187]	[.088]	N/A	[.21]	[.36]	[.105]	[.232]	[1.13]						
phi S	phi R	phi N	M	K	F	phi C	phi B	A	FIGURE	MATING phi PIN	WIRE AWG	PART NUMBER		

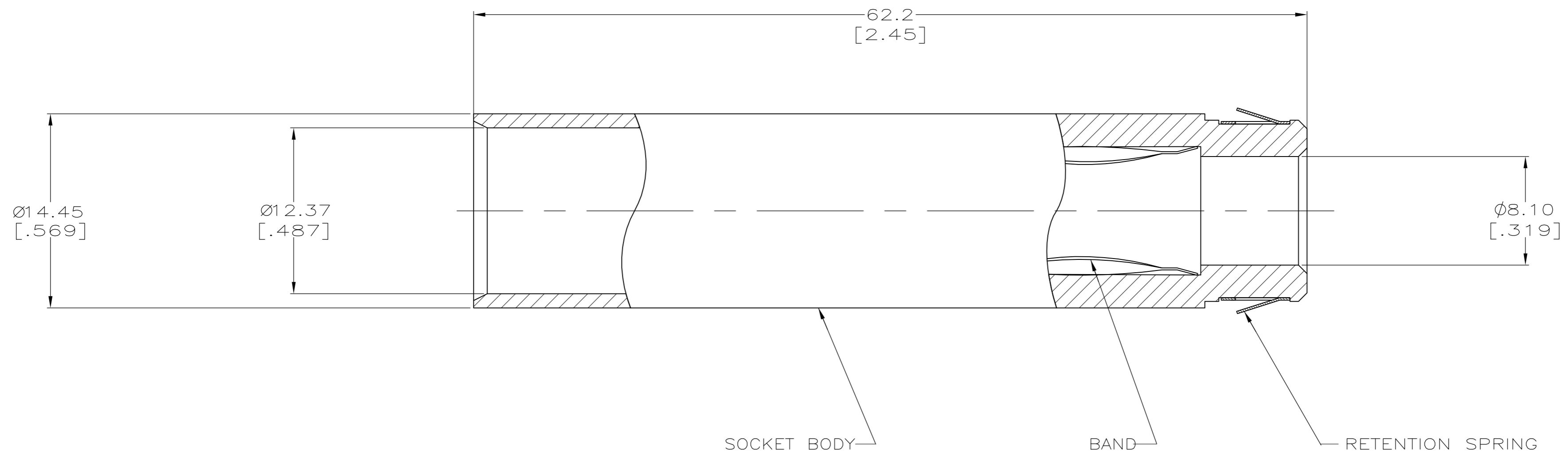
- 3 OBSOLETE PARTS: OBSOLETE CIS STREAMLINING PER D.RENAUD/D.SINISI
- 2. ALL DIMENSIONS ARE REFERENCE ONLY.
- 1 GROOVE PROVIDED FOR USE WITH COMMERCIALY AVAILABLE RETAINING RINGS, i.e. MS-16624 TYPE.

THIS DRAWING IS A CONTROLLED DOCUMENT FOR AMP INCORPORATED. IT IS SUBJECT TO CHANGE AND THE CONTROLLING ENGINEERING ORGANIZATION SHOULD BE CONTACTED FOR THE LATEST REVISION.

THIS DRAWING IS A CONTROLLED DOCUMENT.		DWN	J.TURNER	09-10-93	STE TE Connectivity
DIMENSIONS: MM[INCHES]		CHK	A.L.G.	09-10-93	
TOLERANCES UNLESS OTHERWISE SPECIFIED:		APVD	S.R.S.	09-10-93	
0 PLC ± - 1 PLC ± - 2 PLC ± 0.40[.015] 3 PLC ± 0.25[.010] 4 PLC ± - ANGLES ± -		NAME		SOCKET ASSY, 2-35mm, CRIMP	
MATERIAL: BODY: COPPER ALLOY; RETENTION SPRING: STAINLESS STEEL; CONTACT BAND: BeCu		FINISH: BODY AND BAND: SILVER OVER NICKEL; SPRING: NONE		WEIGHT	-
CUSTOMER DRAWING		SCALE	NTS	SHEET	1 OF 2
		REV	D2		

THIS DRAWING IS UNPUBLISHED. RELEASED FOR PUBLICATION
 © COPYRIGHT - By - ALL RIGHTS RESERVED.

LOC	DIST	REVISIONS					
		P	LTR	DESCRIPTION	DATE	DWN	APVD
CH	11	-	-	SEE SHEET 1	-	-	-



193673

THIS DRAWING IS A CONTROLLED DOCUMENT.		DWN	17/OCT/97	
		CHK	R N POLK	
		APVD	-	
		PRODUCT SPEC	-	
		APPLICATION SPEC	-	
		WEIGHT	-	
		CUSTOMER DRAWING	-	
DIMENSIONS:		TOLERANCES UNLESS OTHERWISE SPECIFIED:		 TE Connectivity SOCKET ASSY, 2-35mm, CRIMP
mm[in]		0 PLC ± -		
		1 PLC ± -		
		2 PLC ± -		
		3 PLC ± -		
		4 PLC ± -		
		ANGLES ± -		
MATERIAL		FINISH		SIZE
-		-		A2
				CAGE CODE
				00779
				DRAWING NO
				C=193673
				RESTRICTED TO
				-
				SCALE
				-
				SHEET
				2 OF 2
				REV
				D2