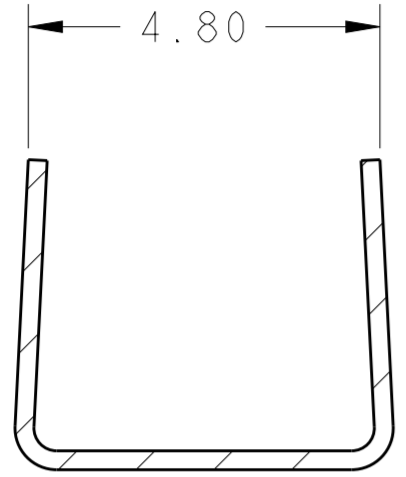
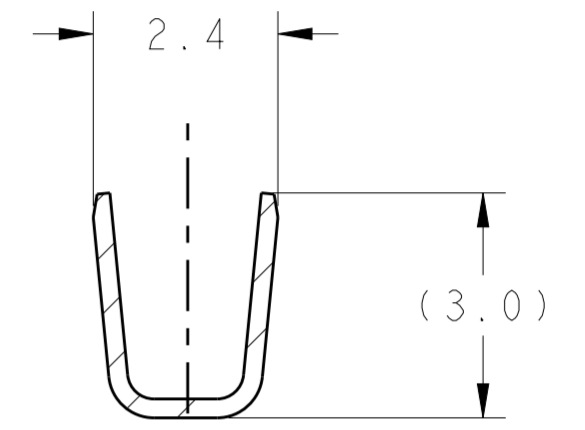
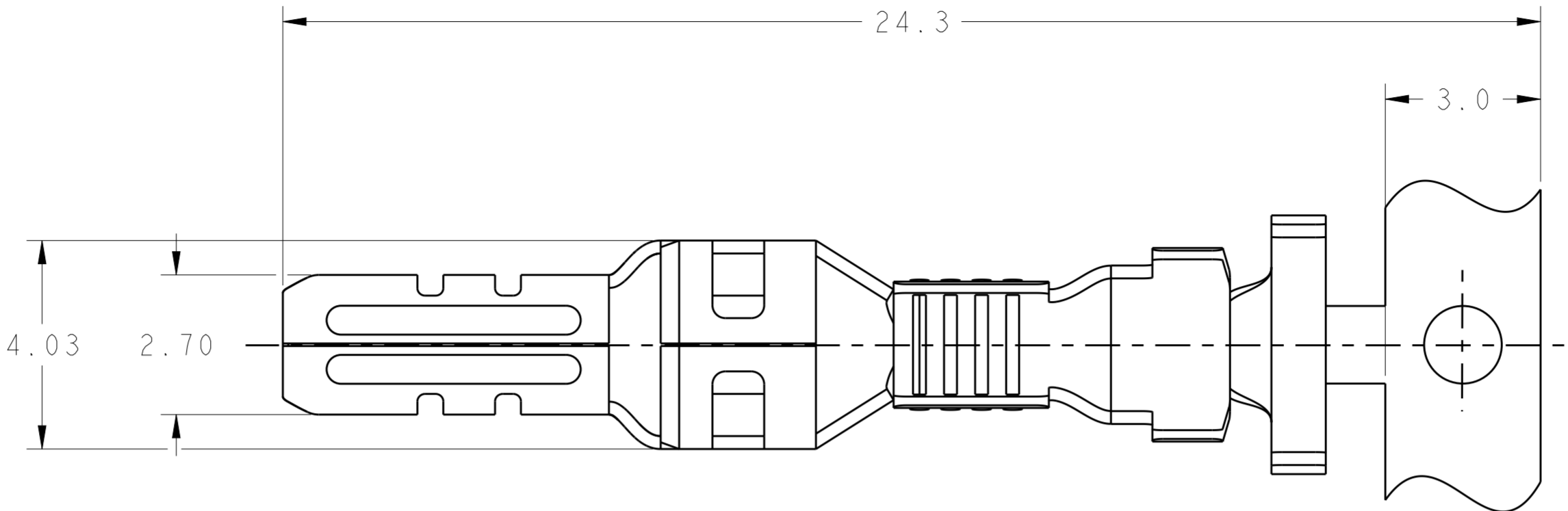


THIS DRAWING IS UNPUBLISHED. RELEASED FOR PUBLICATION 20
 © COPYRIGHT 20 BY - ALL RIGHTS RESERVED.

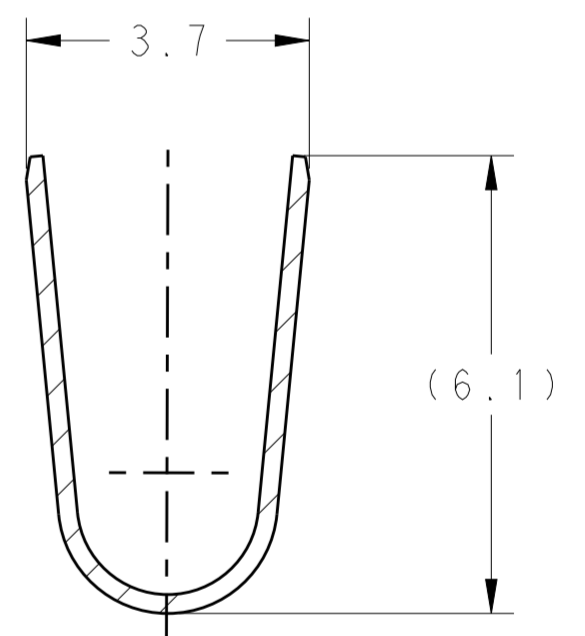
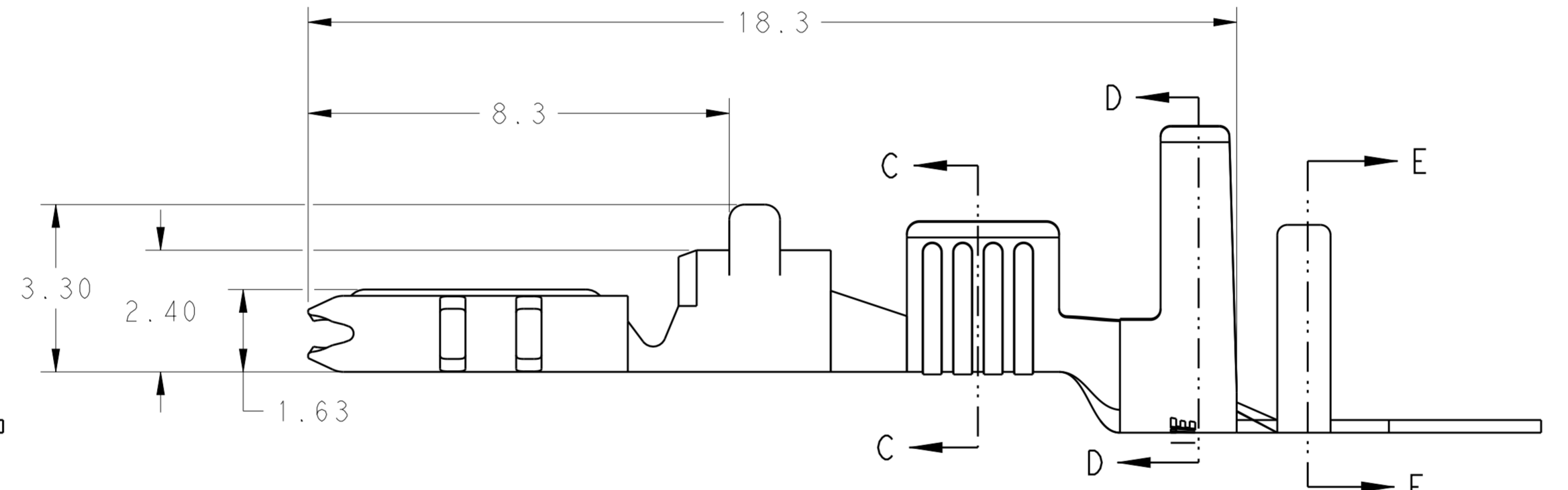
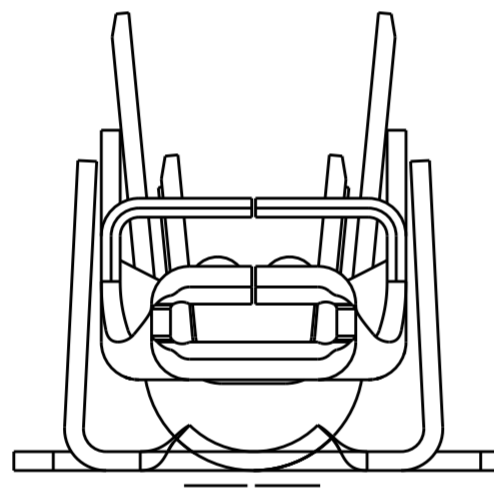
LOC	DIST	REVISIONS					
ES	00	P	LTR	DESCRIPTION	DATE	DWN	APVD
		C1		REVISED PER ECO-16-016321	14NOV2016	RS	GJ



SECTION E-E

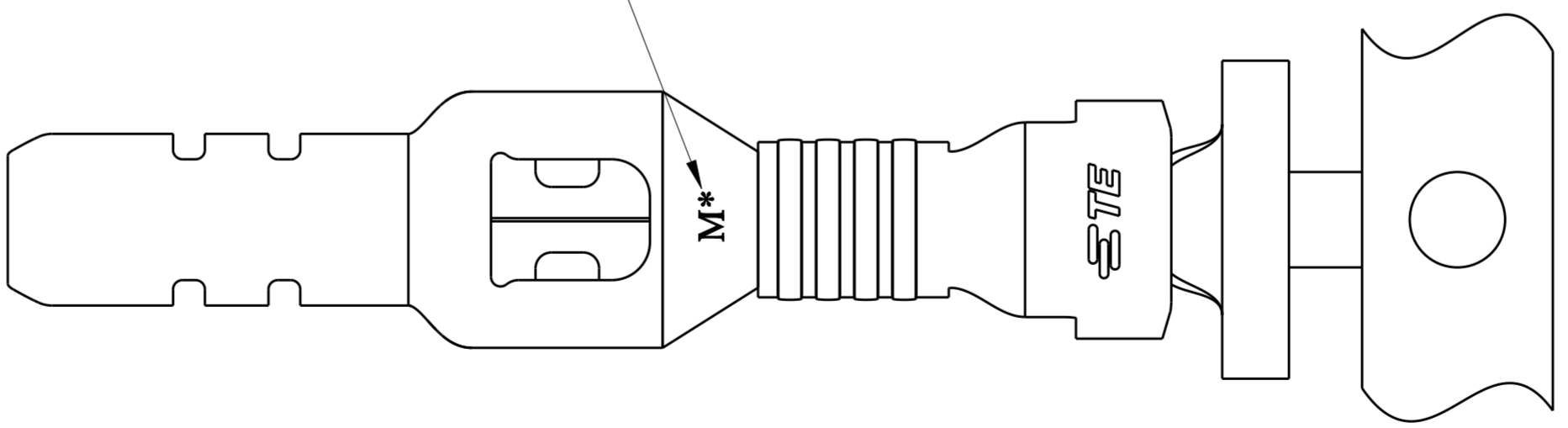


SECTION C-C



SECTION D-D

MATERIAL MARK



- 1 MATERIAL: COPPER ALLOY, PRE TIN PLATING
- 2 APPLICABLE WIRE RANGE: 2X20AWG COPPER STRANDED
- 3. APPLICABLE INSULATION DIAMETER: 2.40-2.70mm
- 4 APPLICABLE MATED CAP HOUSING P/N:
 - *-1971771-*/*-1971774-*/*-1971874-*
 - *-1971772-*/*-1971775-*/*-1971875-*
 - *-2232263-*/*-2232264-*/*-2232356-*
 - *-2232358-*/*-2232359-*/*-2232360-*

5. This product has not completed validation testing.

HIGH(150°C)	M0	1971238-2
STANDARD(105°C)	M4	1971238-1
TEMP. RATING	MATERIAL MARK	PART NO

THIS DRAWING IS A CONTROLLED DOCUMENT.

DWN	TOMMY WU	9AUG2012
CHK	HAPYE WU	9AUG2012
APVD	YUJHONG MAO	9AUG2012
PRODUCT SPEC	108-106118	
APPLICATION SPEC	114-106118	
WEIGHT	-	

STE TE Connectivity

NAME: TAB CONTACT POWER TRIPLE LOCK

SIZE	CAGE CODE	DRAWING NO	RESTRICTED TO
A2	00779	C-1971238	-

Customer Drawing SCALE 5:1 SHEET 1 OF 1 REV C1