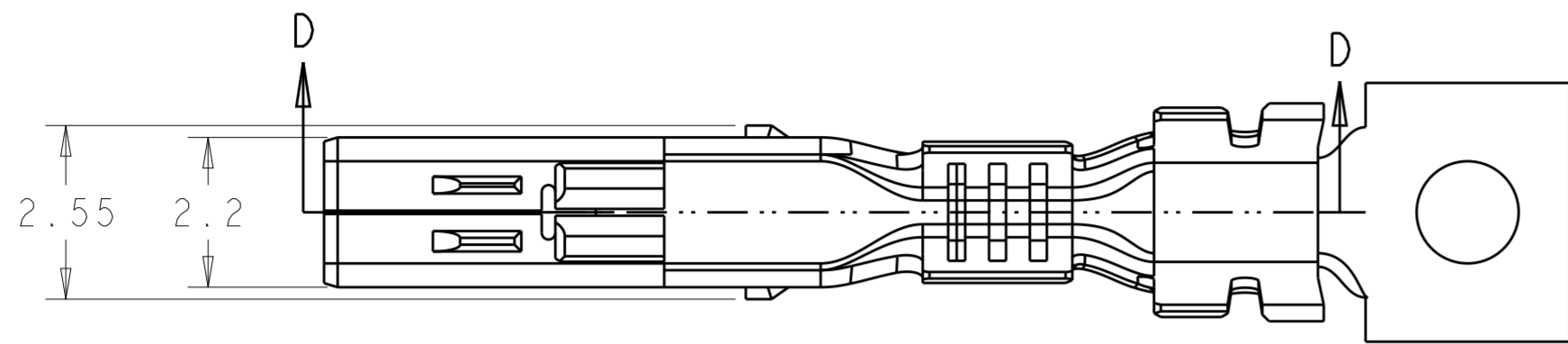
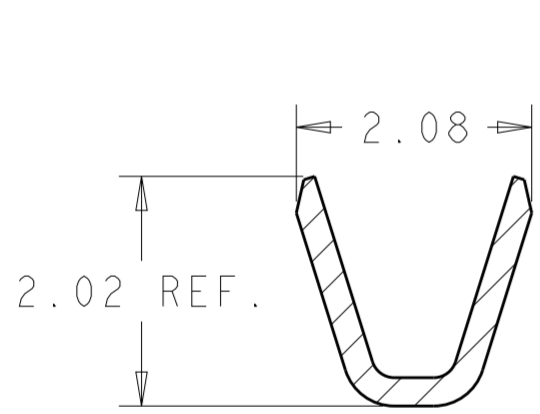
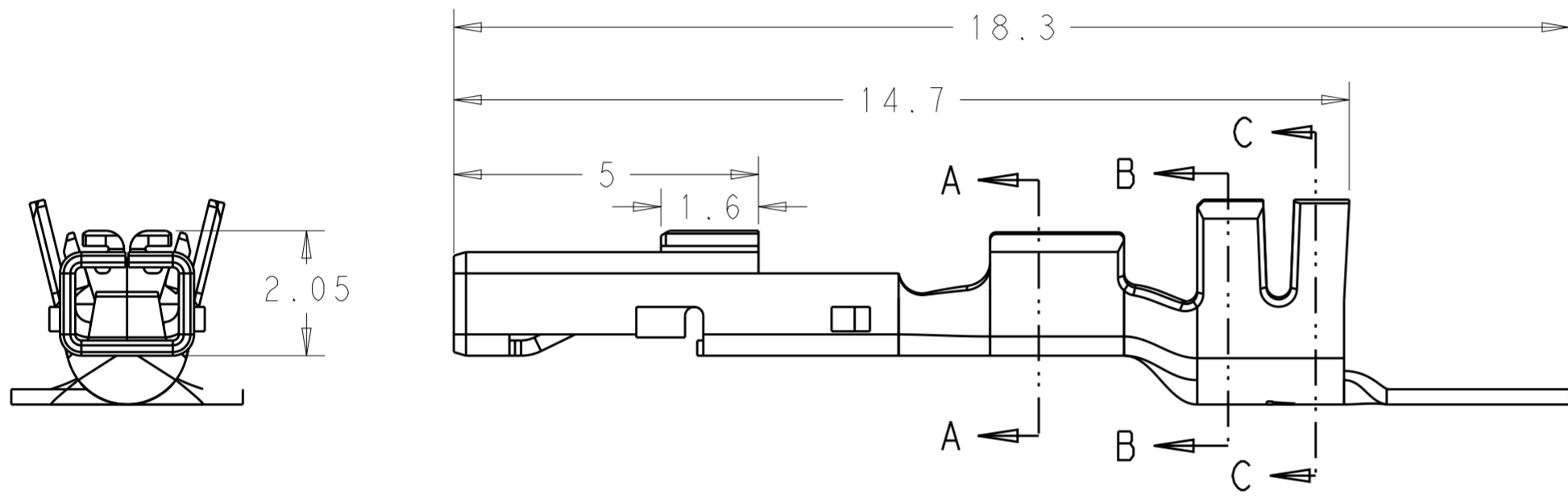


THIS DRAWING IS UNPUBLISHED. RELEASED FOR PUBLICATION
 © COPYRIGHT copyright.d8te- ALL RIGHTS RESERVED.

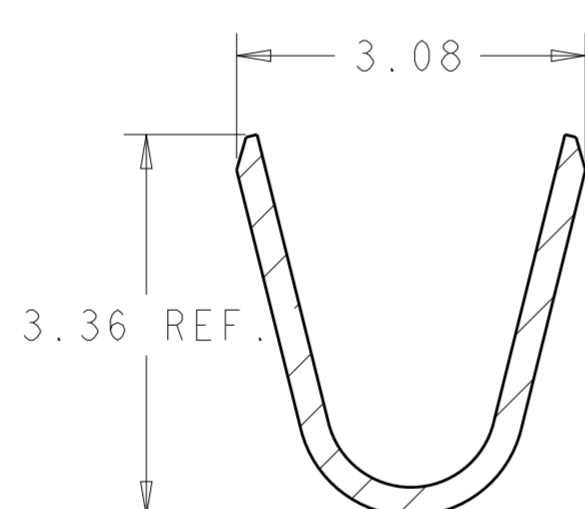
REVISIONS				
P	LTR	DESCRIPTION	DATE	APVD
A1		REVISED PER ECR-16-002997	02MAR16	O.C D.Z



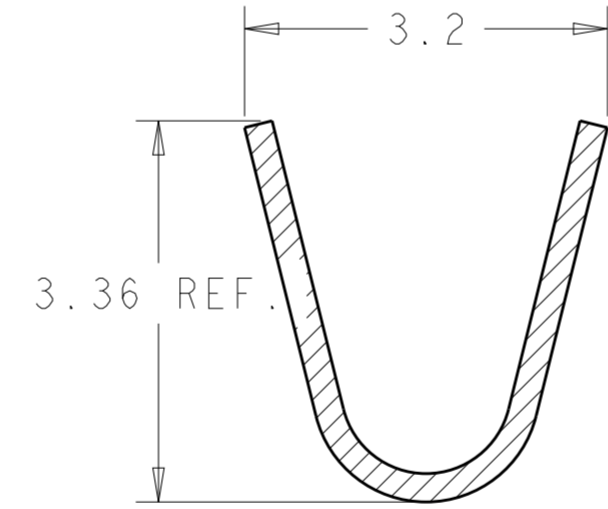
1. MATERIAL: COPPER ALLOY, PRE-TIN.
2. WIRE RANGE: 0.14-0.34mm² [26-22 AWG] STRANDED.
3. INSULATION RANGE: 1.3~2.0.



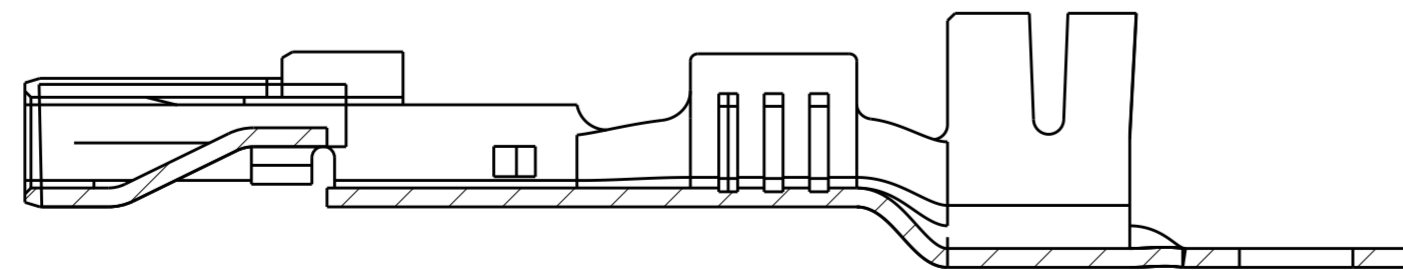
SECTION A-A
SCALE 15:1



SECTION B-B
SCALE 15:1



SECTION C-C
SCALE 15:1



SECTION D-D
SCALE 10:1

2232902-1
PART NUMBER

THIS DRAWING IS A CONTROLLED DOCUMENT.		DWN QITO CHEN 25FEB2016	TE Connectivity	
DIMENSIONS: mm		CHK DANIEL 28FEB2016		
TOLERANCES UNLESS OTHERWISE SPECIFIED:		APVD DANIEL 28FEB2016	NAME PDL REC TERMINAL	
0 PLC ±0.50 1 PLC ±0.40 2 PLC ±0.30 3 PLC ± 4 PLC ± ANGLES ± FINISH ±		PRODUCT SPEC 108-5410	SIZE A2	CAGE CODE -
MATERIAL -		APPLICATION SPEC 114-5175(-6)	DRAWING NO C-2232902	RESTRICTED TO -
		WEIGHT -	SCALE N/A	SHEET 1 OF 1
		CUSTOMER DRAWING	REV A1	