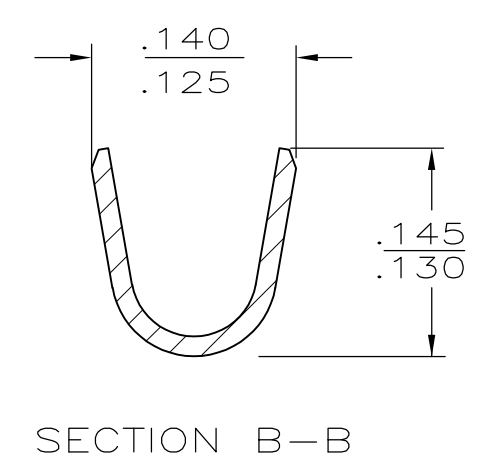
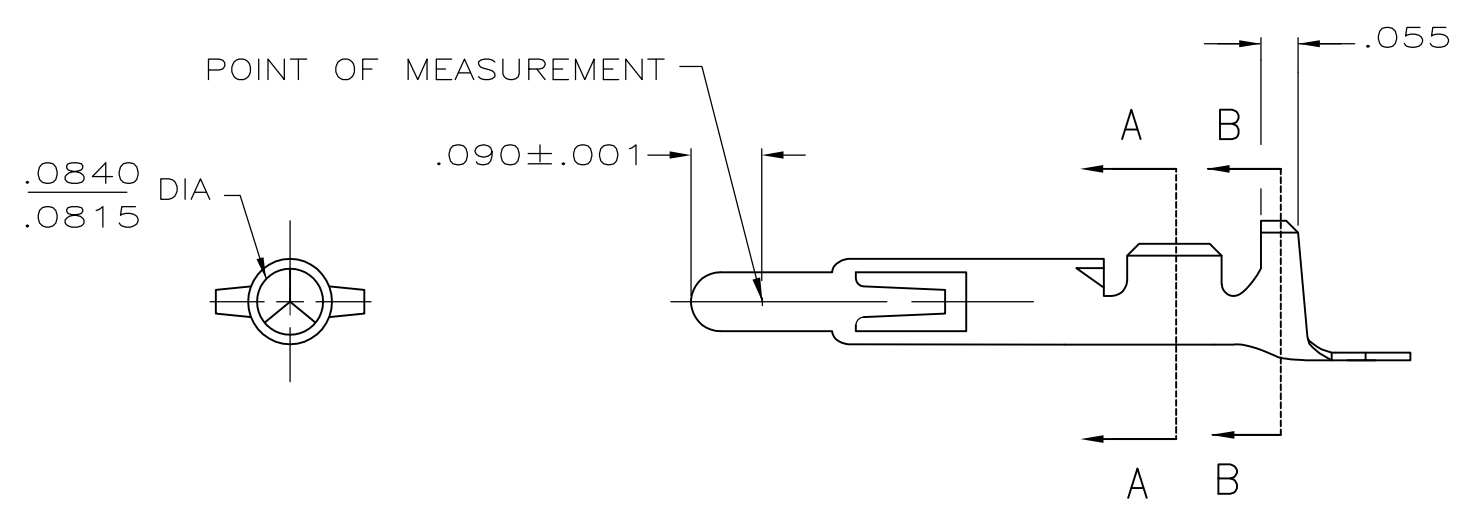
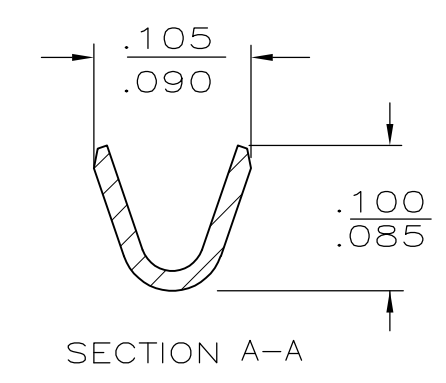
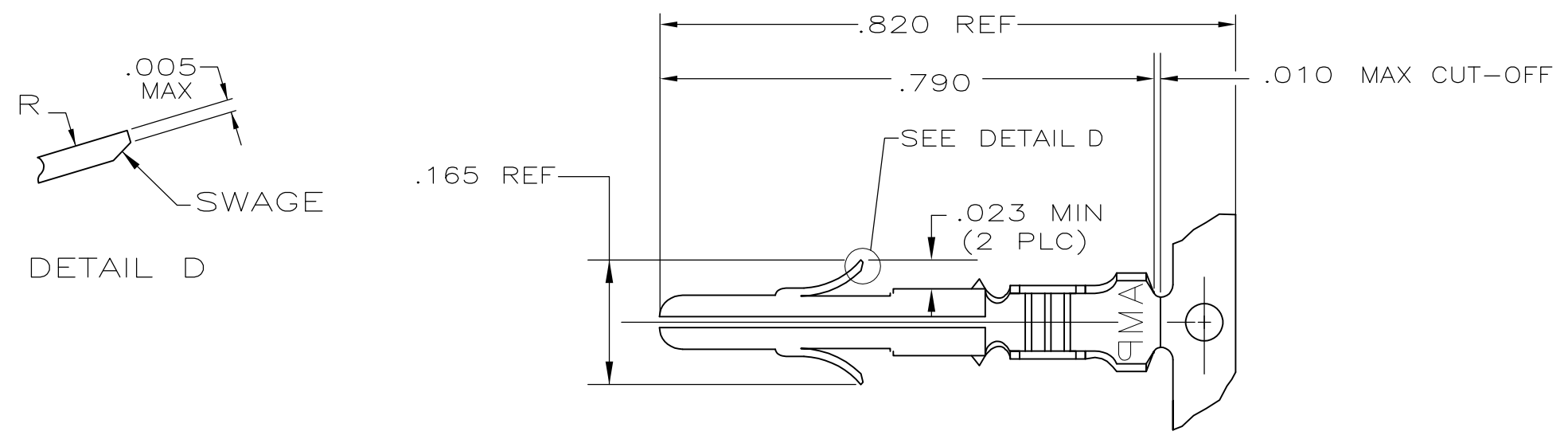


THIS DRAWING IS UNPUBLISHED. RELEASED FOR PUBLICATION  
 © COPYRIGHT - By - ALL RIGHTS RESERVED.

LOC	DIST	REVISIONS			
P	LTR	DESCRIPTION	DATE	DWN	APVD
CM	00	A	RELEASED PER ECR-14-009691	08JUL2014	AV KD



- 1. INSULATION RANGE: .040-.100 DIA.
- 2. PRELIMINARY, NOT FOR PRODUCTION.

POST TIN	0.30 [.012]	BRASS	2825072-1
FINISH	MATERIAL		PART NUMBER

THIS DRAWING IS A CONTROLLED DOCUMENT.		DWN	23MAY2014		<b>STE</b> TE Connectivity											
DIMENSIONS: INCHES		CHK	08JUL2014													
TOLERANCES UNLESS OTHERWISE SPECIFIED:		ZD	08JUL2014													
<table border="1"> <tr><td>0 PLC</td><td>± -</td></tr> <tr><td>1 PLC</td><td>± -</td></tr> <tr><td>2 PLC</td><td>± .010</td></tr> <tr><td>3 PLC</td><td>± -</td></tr> <tr><td>4 PLC</td><td>± -</td></tr> <tr><td>ANGLES</td><td>± -</td></tr> </table>		0 PLC	± -	1 PLC		± -	2 PLC	± .010	3 PLC	± -	4 PLC	± -	ANGLES	± -	APVD	08JUL2014
0 PLC	± -															
1 PLC	± -															
2 PLC	± .010															
3 PLC	± -															
4 PLC	± -															
ANGLES	± -															
MATERIAL		PRODUCT SPEC		NAME												
-		108-1031		PIN												
FINISH		APPLICATION SPEC		UNIVERSAL MATE-N-LOK												
-		114-1010		SIZE	CAGE CODE											
		WEIGHT		DRAWING NO	RESTRICTED TO											
		-		A300779	C-2825072											
CUSTOMER DRAWING				SCALE	SHEET											
				4:1	1 OF 1											
				REV	A											