

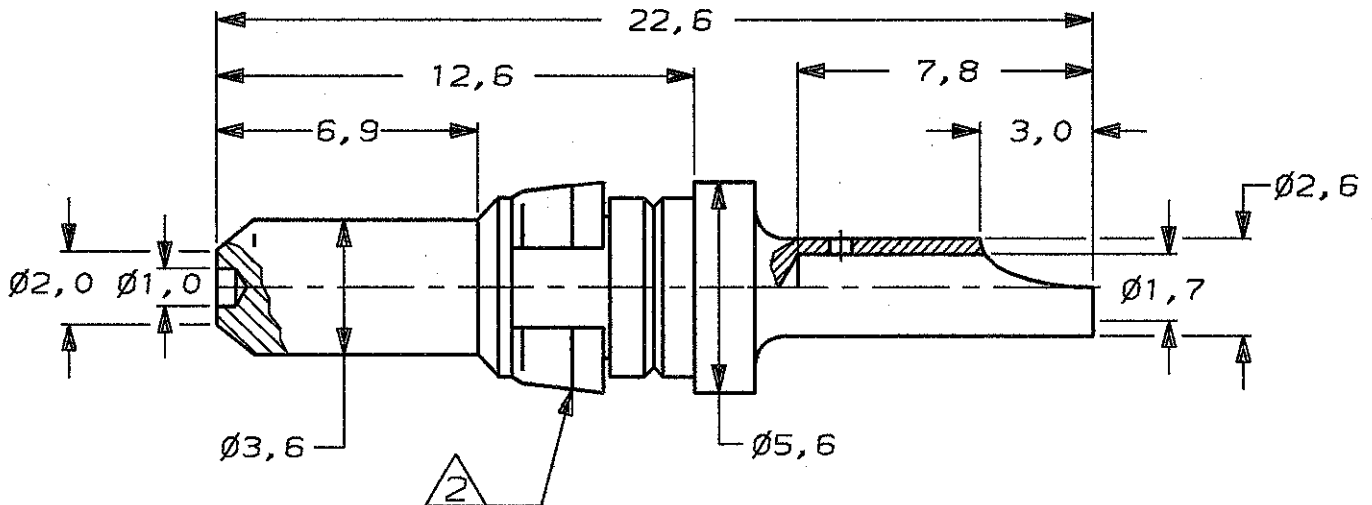
DO NOT SCALE

DIMENSIONS IN mm

METRIC

THIRD ANGLE

PROJECTION



NOTES:

1 SUITABLE FOR MALE D-IEC AND DIN 41612
TYPE M MALE CONNECTORS.

2 RETAINING RING.

GOLD (CLASS 1)

CONTACT ; BRASS

100066-1

FINISH

MATERIAL

PARTNUMBER

LTR.	REVISION RECORD	DR.	CHK.	DATE
B	H-9578	S.M.	<i>BH</i>	04-03-92
A	H-9387	S.M.	<i>BH</i>	11-12-91

CUSTOMER DRAWING

FOR REFERENCE ONLY
WILL NOT BE UPDATED

© COPYRIGHT 19- BY AMP HOLLAND B.V.
ALL INTERNATIONAL RIGHTS RESERVED. AMP PRODUCTS MAY BE
COVERED BY U.S. AND FOREIGN AND/OR PATENTS PENDING.

THIS DRAWING IS UNPUBLISHED
RELEASED FOR PUBLICATION _____, 19____

AMP HOLLAND B.V.
's-Hertogenbosch,
The Netherlands.

NAME

POWER CONTACT MALE
SOLDER CUP (40 AMP)

DR.: J.V.LIEMPT CHK.: J.V.GRUNSVEN APP.: L.V.SOEEST
DATE: 21-04-91 DATE: 16-04-91 DATE: 18-04-91

DWG.No.

C-100066

REV.LTR.

B

SHEET

1 of 1

A4