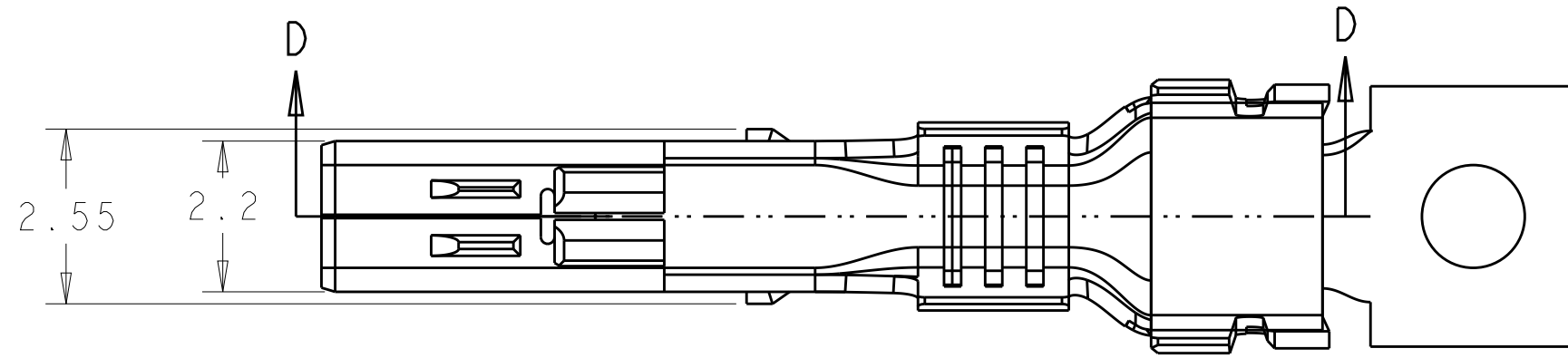
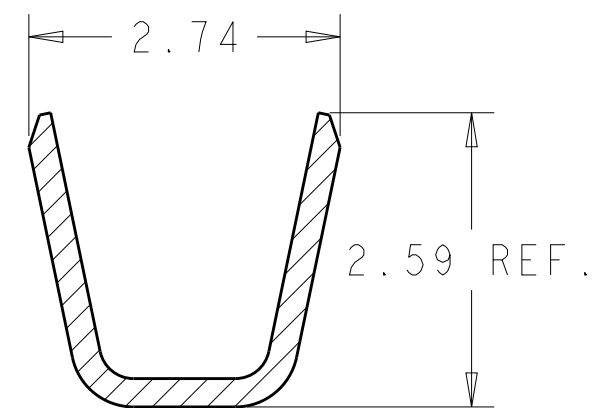
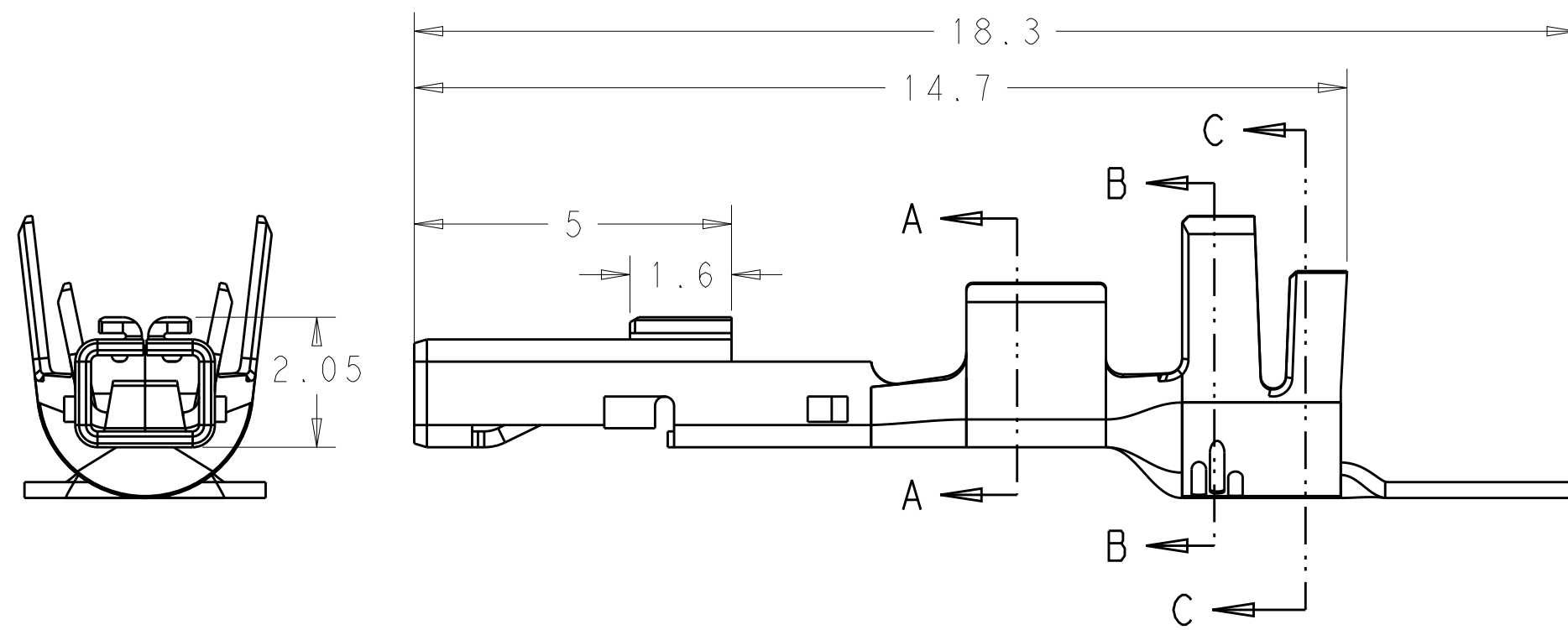


THIS DRAWING IS UNPUBLISHED. RELEASED FOR PUBLICATION
 © COPYRIGHT copyright.d8te- ALL RIGHTS RESERVED.

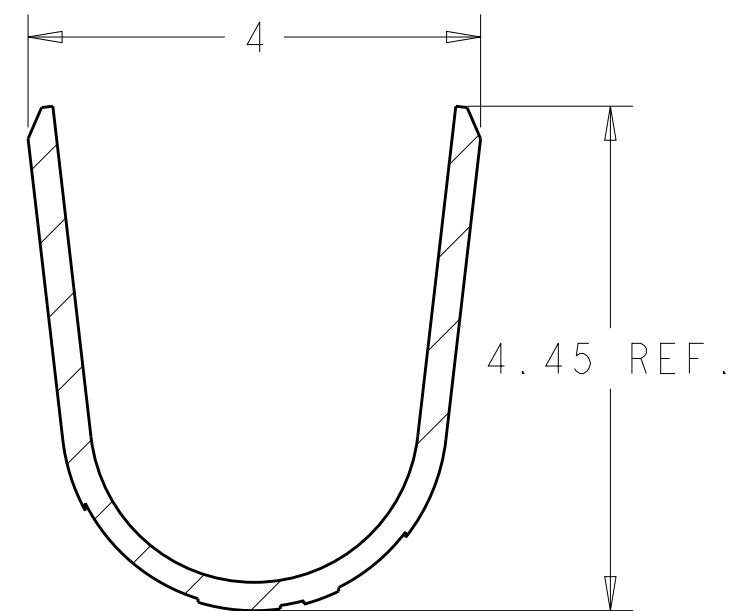
REVISIONS				
P	LTR	DESCRIPTION	DATE	APVD
A		FIRST RELEASED	25FEB16	O.C D.Z



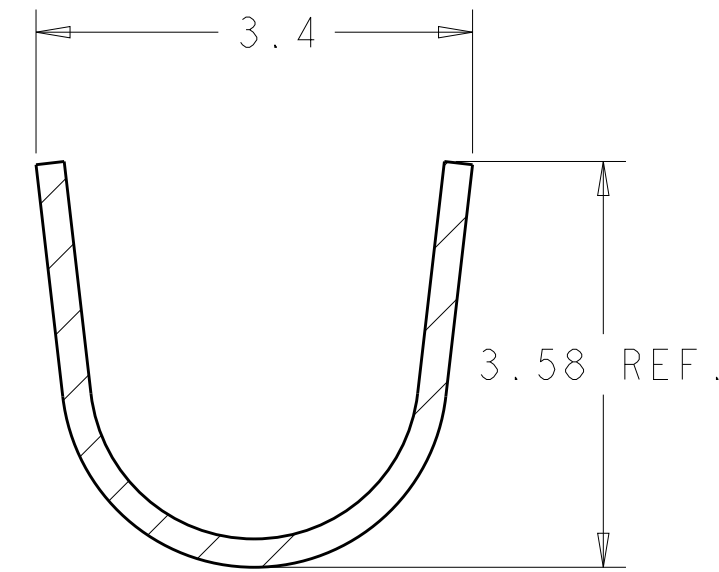
1. MATERIAL: COPPER ALLOY, PRE-TIN.
2. WIRE RANGE: 0.51-1.27mm² [20-16 AWG] STRANDED.
3. INSULATION RANGE: 1.8~3.1.



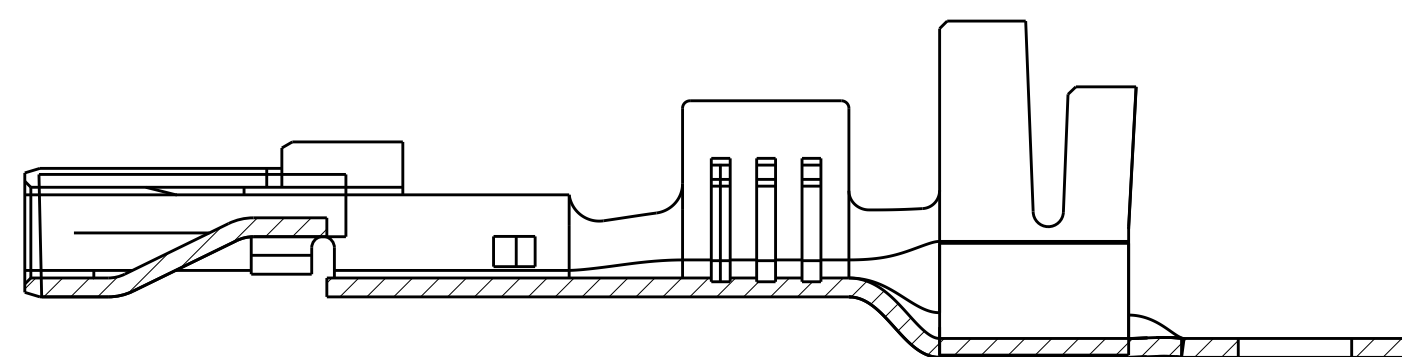
SECTION A-A
SCALE 15:1



SECTION B-B
SCALE 15:1



SECTION C-C
SCALE 15:1



SECTION D-D
SCALE 10:1

2232901-1
PART NUMBER

THIS DRAWING IS A CONTROLLED DOCUMENT.		DWN QITO CHEN 25FEB2016	TE Connectivity	
DIMENSIONS: mm		CHK DANIEL 28FEB2016		
TOLERANCES UNLESS OTHERWISE SPECIFIED:		APVD DANIEL 28FEB2016	PRODUCT SPEC 108-5410	RESTRICTED TO
0 PLC ±0.50		APPLICATION SPEC 114-5175(-6)	SIZE A2	SCALE N/A
1 PLC ±0.40		WEIGHT -	CAGE CODE -	SHEET 1 OF 1
2 PLC ±0.30		CUSTOMER DRAWING	DRAWING NO C-2232901	REV A
3 PLC ±				
4 PLC ±				
ANGLES ±				
FINISH -				