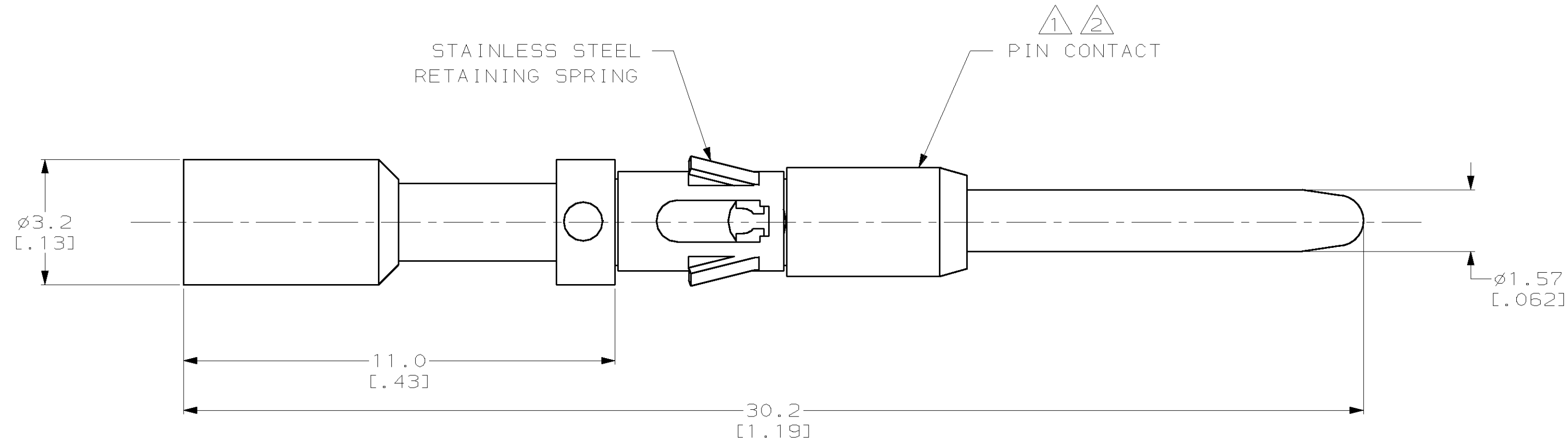


THIS DRAWING IS UNPUBLISHED. RELEASED FOR PUBLICATION, 19
 (C) COPYRIGHT 19 BY AMP INCORPORATED, ALL RIGHTS RESERVED.

LOC	DIST	REVISIONS					
		P	LTR	DESCRIPTION	DATE	DWN	APVD
CH	11		A	EC 0B20-0183-98	04/FEB/98	RNP	RAR

- ① MATERIAL: COPPER ALLOY
- ② FINISH: GOLD PLATE .75 μM [30 μIN] THICK MIN.,
OVER 1.2 μM [50 μIN] THICK MIN. NICKEL.



194046-1
PART NO

THIS DRAWING IS A CONTROLLED DOCUMENT.		DWN	R N POLK	04/NOV/96	AMP Incorporated Harrisburg, PA 17105-3608
DIMENSIONS:		CHK	-	-	
mm		APVD	-	-	
		PRODUCT SPEC	-	-	
TOLERANCES UNLESS OTHERWISE SPECIFIED:		APPLICATION SPEC			NAME
0 PLC	±-	-			PIN ASSEMBLY, SIZE 16
1 PLC	±-	-			AWG #20-24
2 PLC	±-	-			SIZE
3 PLC	±-	-			CAGE CODE
4 PLC	±-	-			DRAWING NO
ANGLES	±-	-			A2 00779 C-194046
MATERIAL	①	WEIGHT	-	-	SCALE
FINISH	-	CUSTOMER DRAWING			SHEET 1 OF 1
					REV A