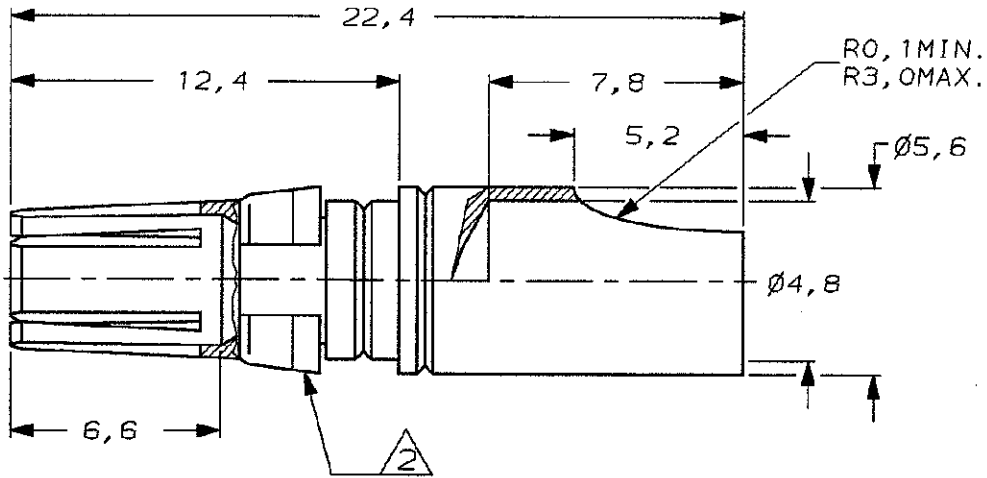
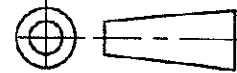


DO NOT SCALE

DIMENSIONS IN mm

METRIC


THIRD ANGLE
PROJECTION



NOTES:

1 SUITABLE FOR FEMALE D-IEC AND DIN 41612
TYPE M FEMALE CONNECTORS.

△ 2 RETAINING RING.

GOLD (CLASS 1)		CONTACT; BERYLLIUM COPPER			100087-1			
FINISH		MATERIAL			PARTNUMBER			
-	-	-	-	-	CUSTOMER DRAWING FOR REFERENCE ONLY WILL NOT BE UPDATED			
-	-	-	-	-	© COPYRIGHT 19- BY AMP HOLLAND B.V. ALL INTERNATIONAL RIGHTS RESERVED. AMP PRODUCTS MAY BE COVERED BY U.S. AND FOREIGN AND/OR PATENTS PENDING.			
-	-	-	-	-	THIS DRAWING IS UNPUBLISHED RELEASED FOR PUBLICATION , 19 -			
C	EH-1414-97	J.G.	J.G.	12-12-97	 AMP HOLLAND B.V. 's-Hertogenbosch, The Netherlands.			
B	H-9578	S.M.	B.M.	04-03-92				
A	H-9387	S.M.	B.M.	11-12-91				
LTR.	REVISION RECORD	DR.	CHK.	DATE	NAME POWER CONTACT FEMALE SOLDER CUP LONG (40 AMP)			
DR.	J.V.LIEMPT	CHK.	P. Gibbels	APP.	-	DWG.No.	REV.LTR.	SHEET
DATE:	21-03-91	DATE:	12-12-97	DATE:	-	C-100087	C	1 of 1
							A4	