

4

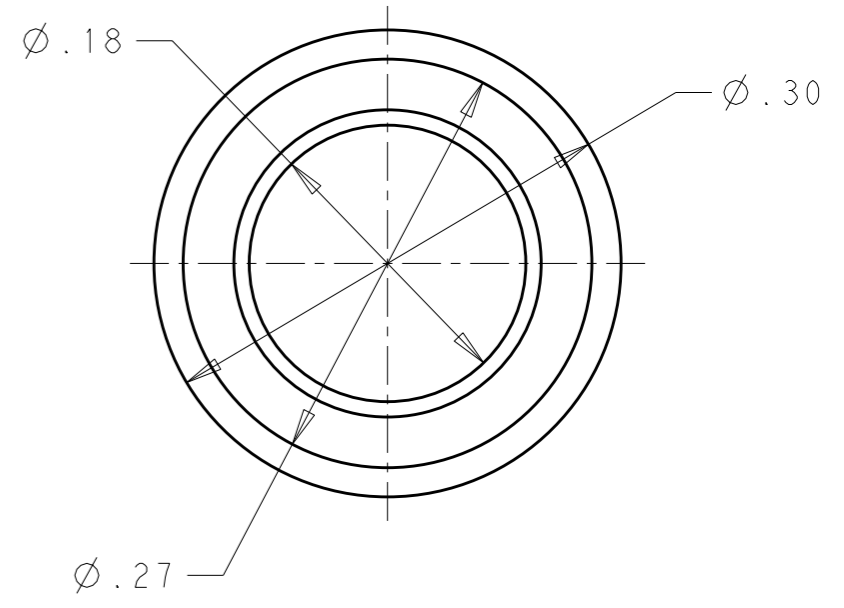
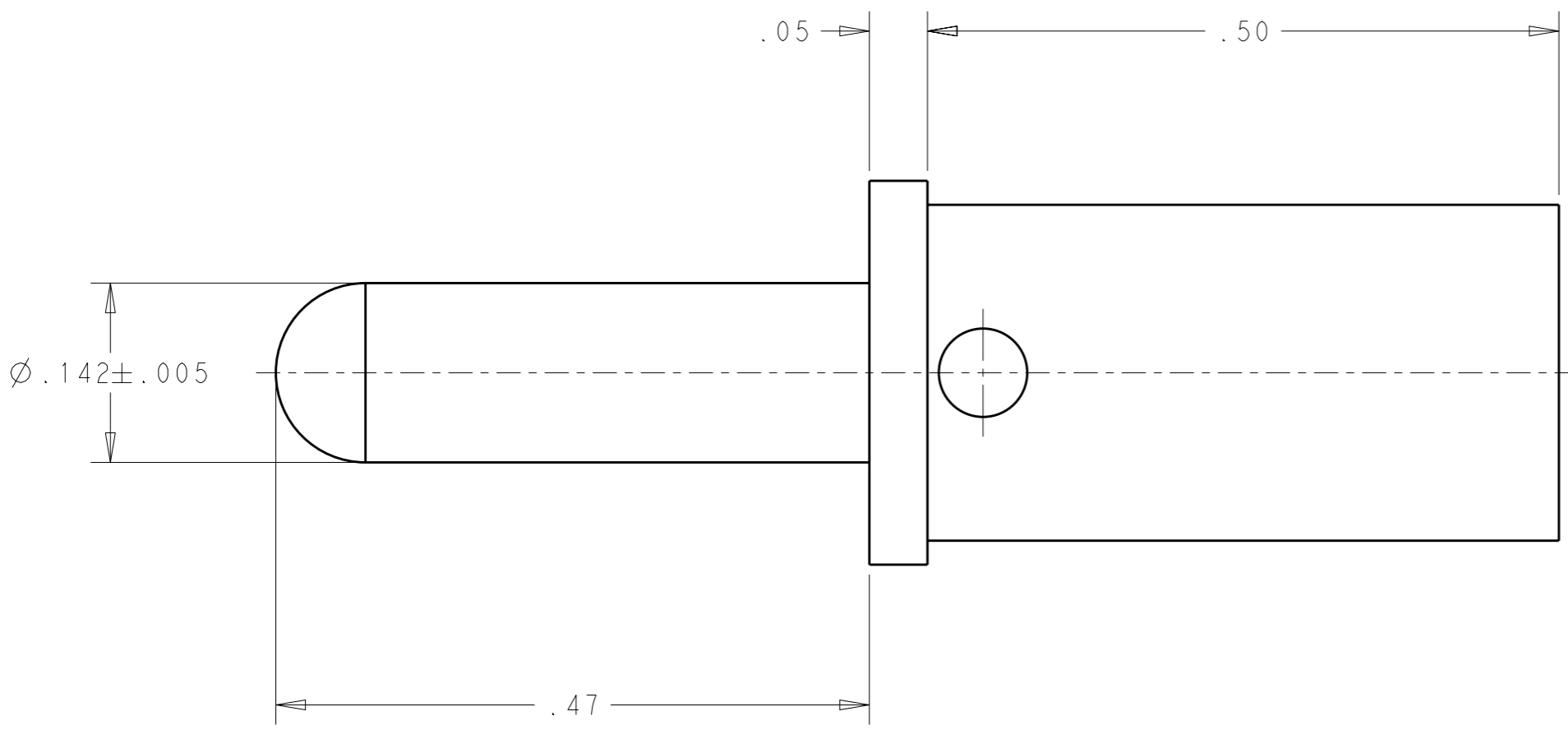
3

2

1


THIS DRAWING IS UNPUBLISHED. RELEASED FOR PUBLICATION 20
 © COPYRIGHT 20 BY - ALL RIGHTS RESERVED.

| LOC | DIST | REVISIONS | | | |
|-----|------|-------------|-----------------------|-----------|-------|
| P | LTR | DESCRIPTION | DATE | DWN | APVD |
| GP | 00 | C | REV PER ECO-11-007264 | 14APR2011 | RG DO |
| | | | | | |
| | | | | | |



- PART NUMBER CHANGES AND/OR DESIGN CHANGES AFFECTING ITEM INTERCHANGEABILITY REQUIRE PRIOR TYCO ELECTRONICS APPROVAL AND AUTHORIZATION BY REVISION TO THIS DRAWING.
- ITEMS PROVIDED TO THIS SPECIFICATION SHALL BE IDENTIFIED ON THE CONTAINER WITH THE FOLLOWING INFORMATION: PART NUMBER AND DATE CODE OF MANUFACTURE.
- MATERIAL: COPPER ALLOY
- FINISH: SILVER PLATE .00200 MIN THK. OVER NICKEL .000040 MIN THK.

1766163-1
PART NUMBER

| | | | | | | | | | | | | | | | | |
|--|-------|------------------------------------|---|-------|----|-------|----|-------|-------|-------|----|--------|-----|----------------|------------------------|--|
| THIS DRAWING IS A CONTROLLED DOCUMENT. | | DWN 10JAN2011 LOVATO/GRZYBOWSKI |  TE Connectivity | | | | | | | | | | | | | |
| DIMENSIONS: INCHES | | CHK D. ORRIS | | | | | | | | | | | | | | |
| TOLERANCES UNLESS OTHERWISE SPECIFIED: | | APVD 10JAN2011 D. ORRIS | NAME CONTACT, PIN SIZE No.8 No.8 CRIMP BARREL ICCON | | | | | | | | | | | | | |
| <table border="1"> <tr><td>0 PLC</td><td>±-</td></tr> <tr><td>1 PLC</td><td>±-</td></tr> <tr><td>2 PLC</td><td>±-</td></tr> <tr><td>3 PLC</td><td>±.020</td></tr> <tr><td>4 PLC</td><td>±-</td></tr> <tr><td>ANGLES</td><td>±.5</td></tr> </table> | | 0 PLC | ±- | 1 PLC | ±- | 2 PLC | ±- | 3 PLC | ±.020 | 4 PLC | ±- | ANGLES | ±.5 | PRODUCT SPEC - | SIZE A300779 C-1766163 | |
| 0 PLC | ±- | | | | | | | | | | | | | | | |
| 1 PLC | ±- | | | | | | | | | | | | | | | |
| 2 PLC | ±- | | | | | | | | | | | | | | | |
| 3 PLC | ±.020 | | | | | | | | | | | | | | | |
| 4 PLC | ±- | | | | | | | | | | | | | | | |
| ANGLES | ±.5 | | | | | | | | | | | | | | | |
| MATERIAL - | | APPLICATION SPEC - | RESTRICTED TO - | | | | | | | | | | | | | |
| FINISH - | | WEIGHT - | SCALE 8:1 SHEET 1 OF 1 REV C | | | | | | | | | | | | | |
| CUSTOMER DRAWING | | | | | | | | | | | | | | | | |