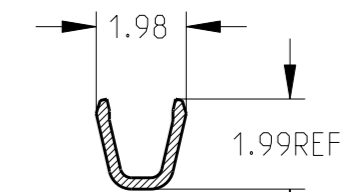
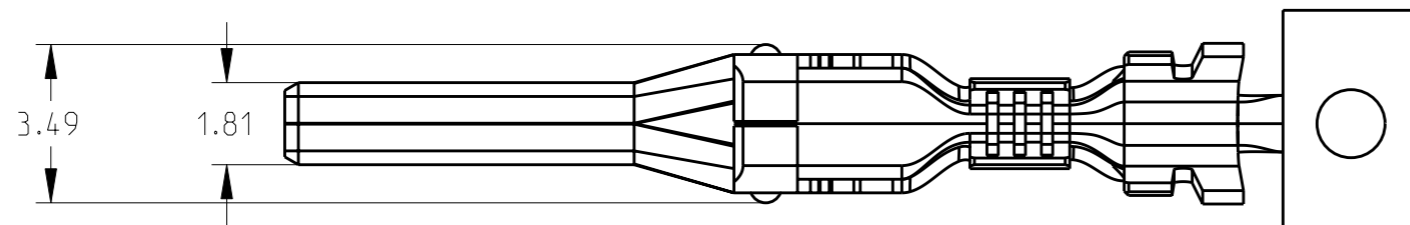
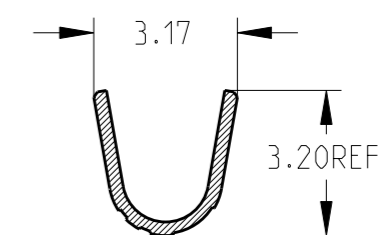
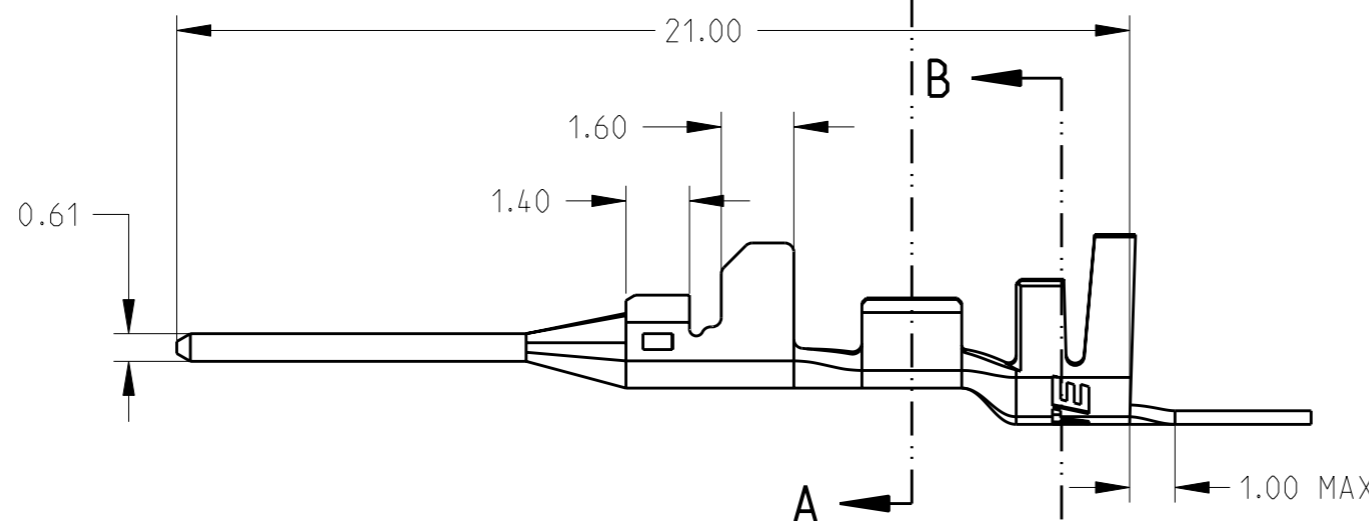
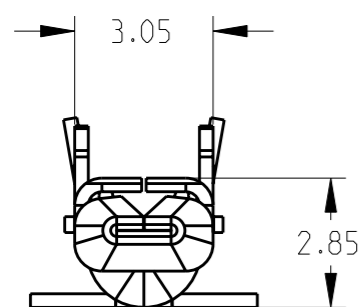


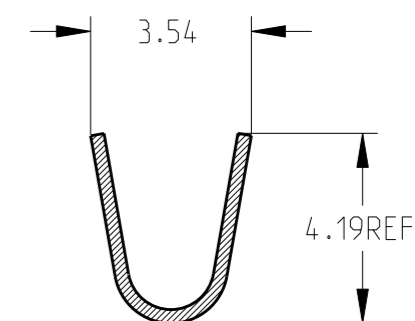
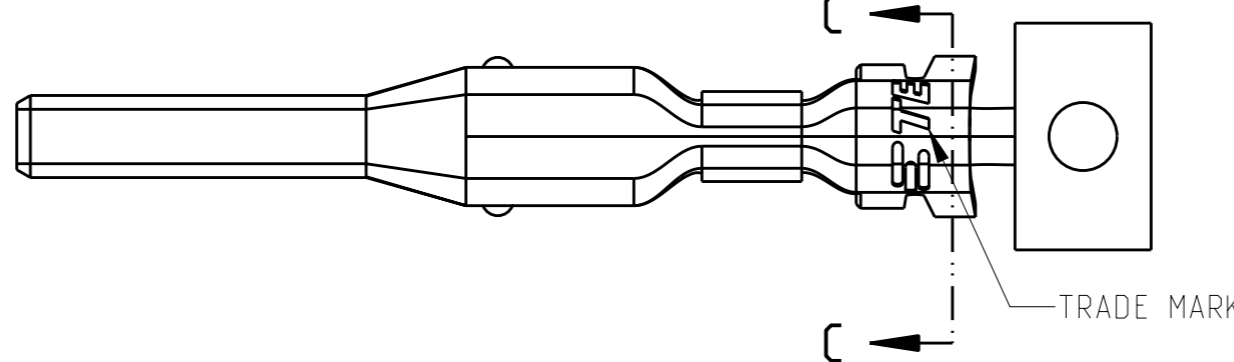
P	LTR	DESCRIPTION	DATE	DWN	APVD



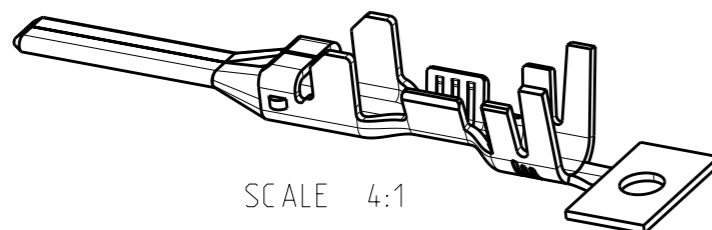
SECTION A-A



SECTION B-B



SECTION C-C



SCALE 4:1

PART NUMBER 1983662-1

THIS DRAWING IS A CONTROLLED DOCUMENT.

DWN LEO LIU 24AUG2011

CHK HAPYE WU 24AUG2011

APVD ERIC KONG 24AUG2011

PRODUCT SPEC

108-106071

APPLICATION SPEC

114-106071

WEIGHT -

CUSTOMER DRAWING



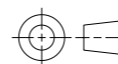
NAME  
**TAB CONTACT  
 MULTI 6P CONNECTOR**

SIZE	CAGE CODE	DRAWING NO	RESTRICTED TO
A3	-	©=1983662	-

SCALE	SHEET	OF	REV
6:1	1	1	A

DIMENSIONS:

mm



TOLERANCES UNLESS OTHERWISE SPECIFIED:

- 0 PLC ±-
- 1 PLC ±1.0
- 2 PLC ±0.50
- 3 PLC ±0.300
- 4 PLC ±0.2000
- ANGLES ±-

MATERIAL -

FINISH -

NOTE:

- 1.MATERIAL:COPPER ALLOY,PRE-TINNED
- 2.APPLICABLE HOUSING P/N:1983658-\*, 1983659-\*
- 3.APPLICABLE WIRE RANGE:22-26AWG