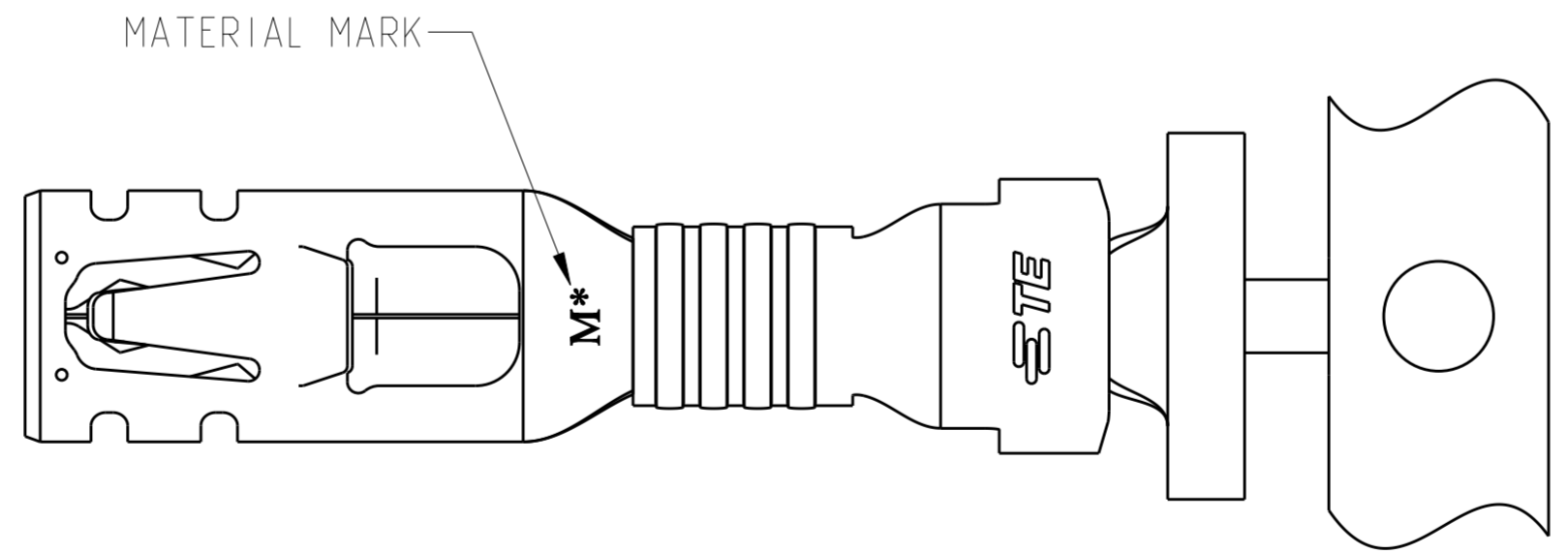
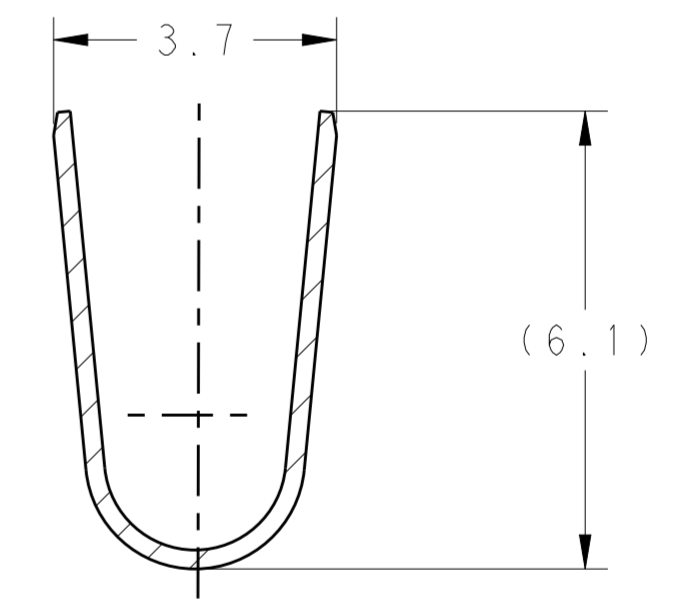
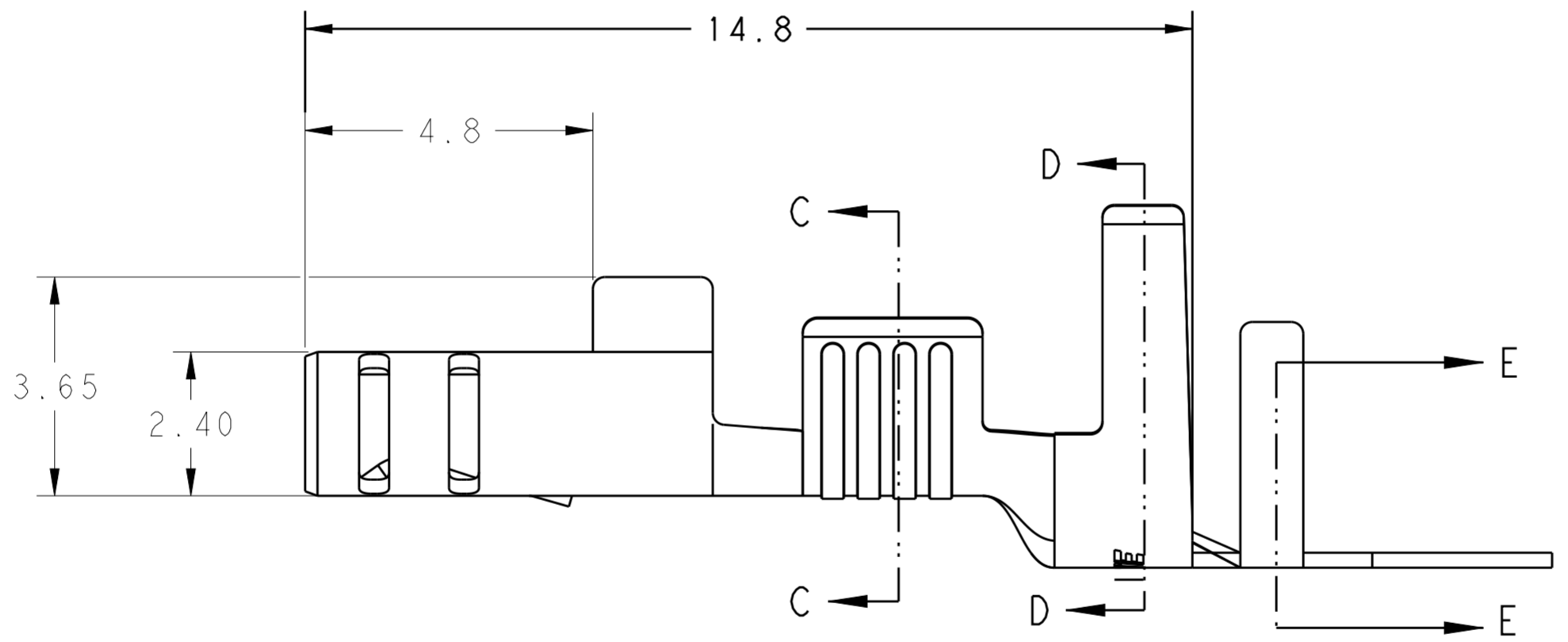
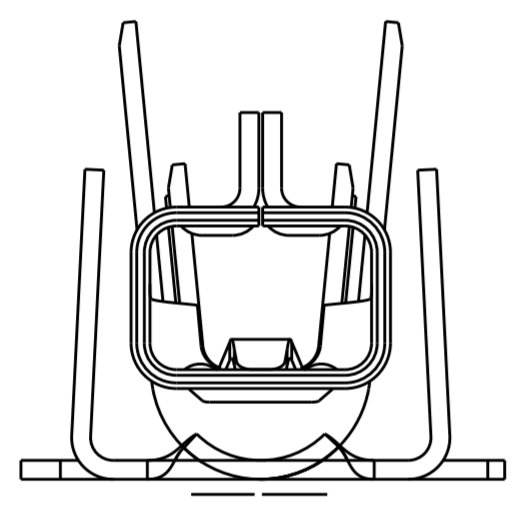
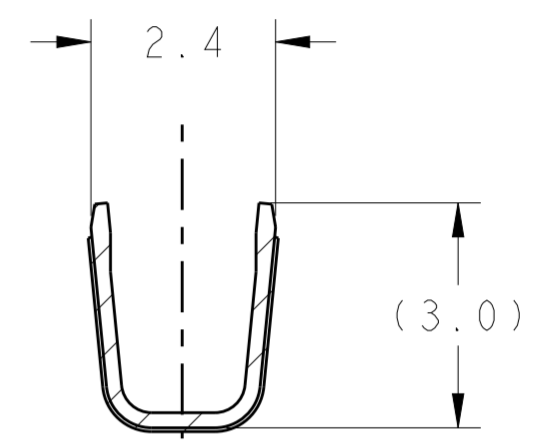
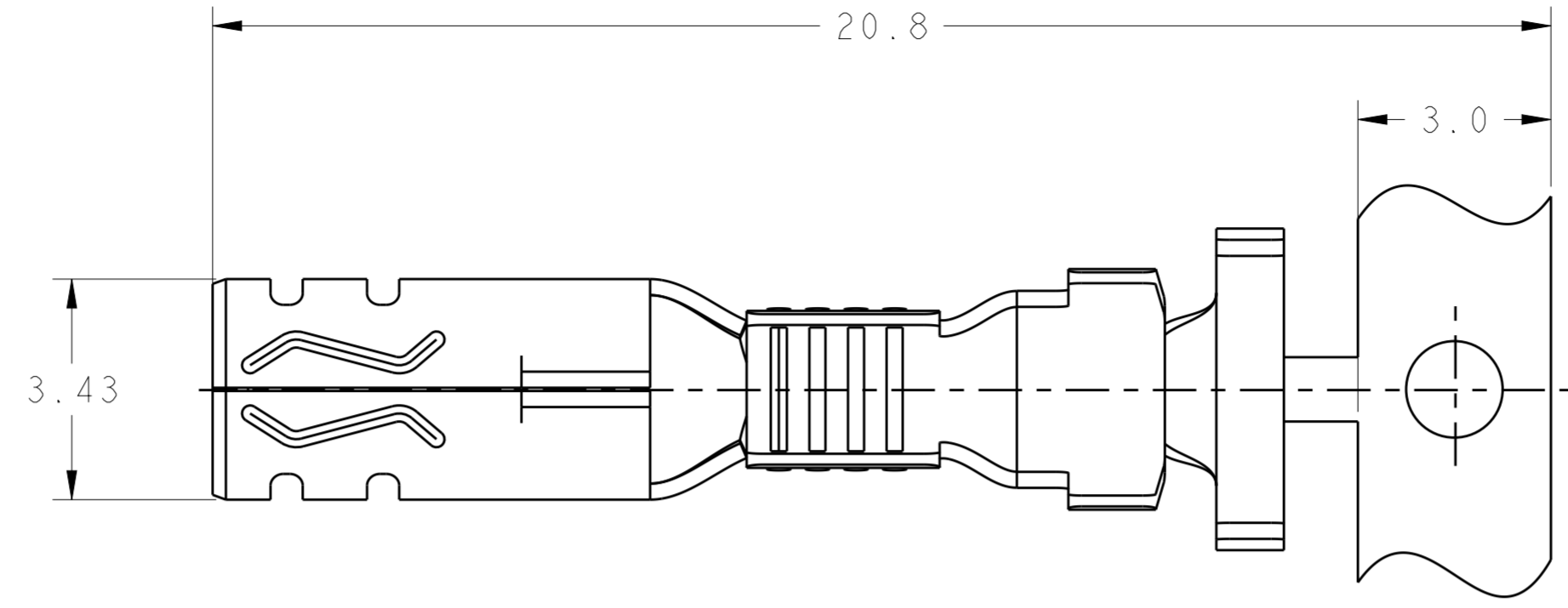
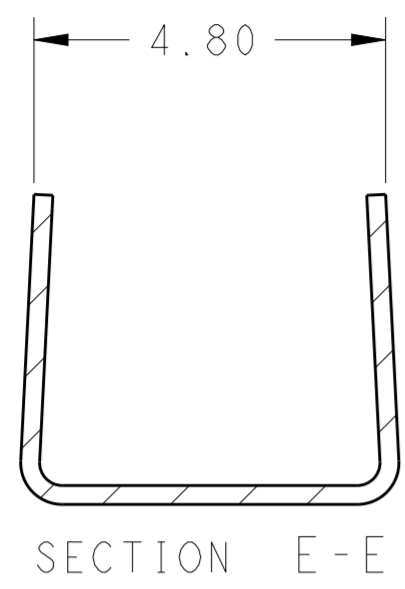


THIS DRAWING IS UNPUBLISHED. RELEASED FOR PUBLICATION 20
 © COPYRIGHT 20 BY - ALL RIGHTS RESERVED.

LOC	DIST	REVISIONS					
ES	00	P	LTR	DESCRIPTION	DATE	DWN	APVD
		C		REVISED PER ECO-16-013278	09SEP2016	RS	GJ



1. MATERIAL: COPPER ALLOY, PRE TIN PLATING.
2. APPLICABLE WIRE RANGE: 2X20AWG COPPER STRANDED.
3. APPLICABLE INSULATION DIAMETER: 2.40~2.70mm.
4. APPLICABLE MATED PLUG HOUSING P/N:
 -1971773-/*-1971776-*/*-1971876-*/
 /*-2232265-*/*-2232266-*/*-2232357-*

5. THIS PRODUCT HAS NOT COMPLETED VALIDATION TESTING.

HIGH(150°C)	M0	1971237-2
STANDARD(105°C)	M4	1971237-1
TEMP. RATING	MATERIAL MARK	PART NO

THIS DRAWING IS A CONTROLLED DOCUMENT.

DWN	TOMMY WU	9AUG2012
CHK	HAPYE WU	9AUG2012
APVD	YUHHONG MAO	9AUG2012
PRODUCT SPEC	108-106118	
APPLICATION SPEC	114-106118	
WEIGHT	-	

Customer Drawing

SCALE 5:1 SHEET 1 OF 1 REV C

STE TE Connectivity

RECEPTACLE CONTACT POWER TRIPLE LOCK

SIZE CAGE CODE DRAWING NO RESTRICTED TO
 A200779 C-1971237 -