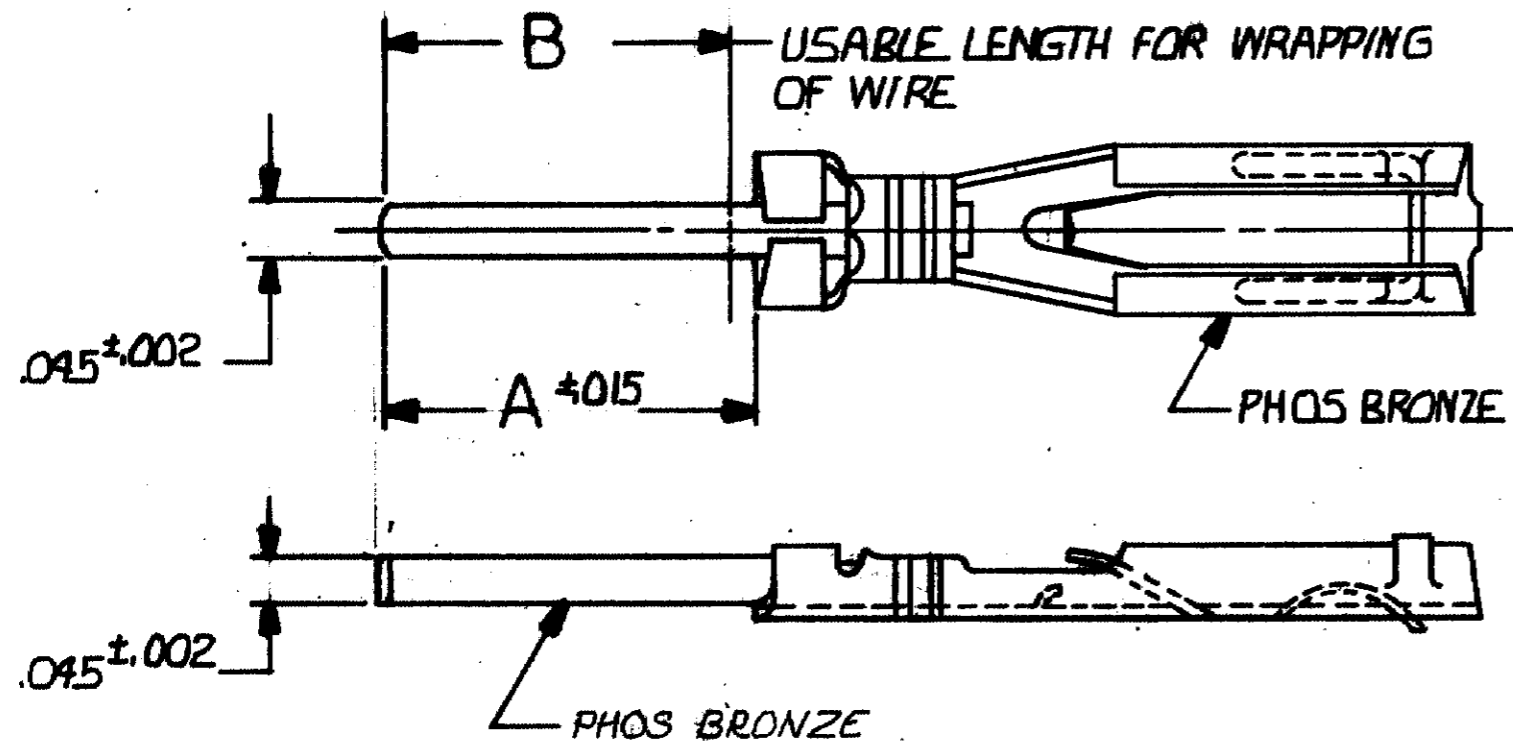


© COPYRIGHT 1976 BY AMP INCORPORATED, HARRISBURG, PA.  
 ALL INTERNATIONAL RIGHTS RESERVED. AMP INCORPORATED PRODUCTS  
 COVERED BY U. S. AND FOREIGN PATENTS AND/OR PATENTS PENDING.

UNPUBLISHED COPY RIGHTS  
 REPRODUCED NON WRITTEN PERMISSION  
 WITHOUT WRITTEN PERMISSION  
 OF AMP INCORPORATED.

REVISIONS							
P	F	Z	WE	LTR	DESCRIPTION	DATE	APPROVED
				0	RELEASED WAS 5104-38-2	RW 10-21-76	
01				01	REVISED	6869 D&E	9-8-80
				A	REV-ECN 812	Jan 10-83	DLS



△ CONTACT FINISH: .000050 THICK GOLD OVER  
 .000030 MIN THICK NICKEL,  
 POST FINISH: .000200 MIN THICK BRIGHT TIN OVER  
 .000050 MIN THICK NICKEL.

△	△	.370	.410	530560-1
FINISH	FINISH	B	A	PART NO
TBS	RECEPTACLE			

UNLESS OTHERWISE SPECIFIED DIMENSIONS ARE IN INCHES. TOLERANCES ON: DECIMALS ± .015 ANGLES ± .015	CONTRACT NO	AMP INCORPORATED Harrisburg, Pa.	
	DR <i>Robert W. Weller</i> 10-21-76	NAME AMP BLADE RECEPTACLE WRAP TYPE	
	CHK <i>Bushley</i> 10-21-76	SIZE B	CODE IDENT NO 00779
	MATERIAL SEE CALL-OUT	DESIGN APPD	DRAWING NO 530560
FINISH △	OTHER APPD	SCALE 6-1	SHEET 1 OF 1