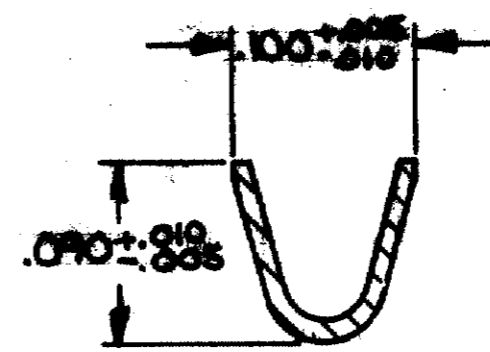
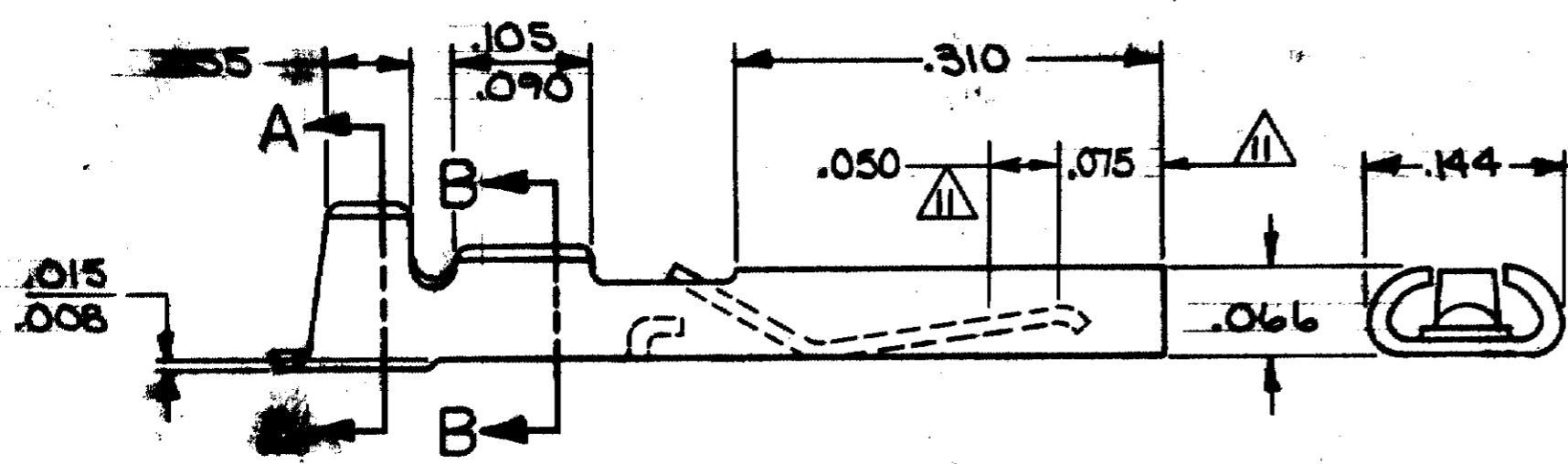
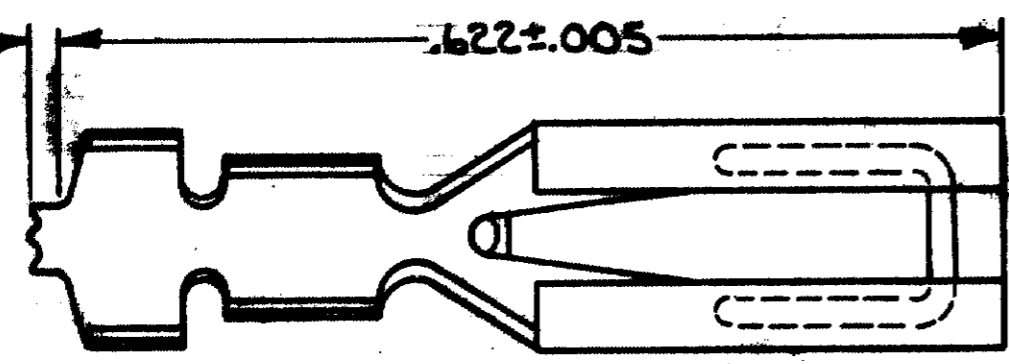
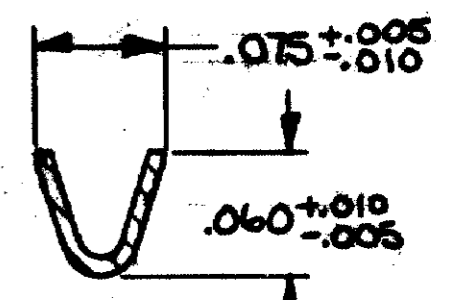


© COPYRIGHT 1981 BY AMP INCORPORATED, HARRISBURG, PA. ALL INTERNATIONAL RIGHTS RESERVED. AMP INCORPORATED PRODUCTS COVERED BY U. S. AND FOREIGN PATENTS AND/OR PATENTS PENDING.

REVISIONS					
NO.	DATE	ZONE	LTR	DESCRIPTION	APPROVED
1	11/10/82	O		REVISED PER 8079 3P	EAM
2	11-88	P		OBS-2, 4, 5, 7 & 4 OF 0949 2P	JW



SECT A-A



SECT B-B

- 1 MAT'L: PHOS. BRONZE
- 2 .000015 GOLD OVER .000030 NICKEL IN CONTACT AREA.
- 3 .000030 GOLD OVER .000030 NICKEL IN CONTACT AREA.
- 4 .000050 GOLD OVER .000030 NICKEL IN CONTACT AREA.
- 5 .000100 TIN OVER .000030 NICKEL ON WIRE BARREL.
- 6 CUT-OFF TAB FOR LOOSE PIECE PARTS IS .005-.020.
- 7 INSUL. RANGE: .030-.060 DIA.
- 8 WIRE RANGE: #28 THRU #24.
- 9. FOR CRIMPING INFORMATION SEE SPEC.# 108-9201.
- 10. FOR SUPPLEMENTAL SPECIFICATIONS SEE #108-9004.
- 11 THE GOLD COVERED AREA WILL BE THE .125 BAND. THE GOLD THICKNESS IS TO BE MEASURED IN THE .050 WIDE BAND.
- 12 OBS PART NO.

531587-7	12	8	7	4	5	12	531587-4
531587-6		8	7	3	5		531587-3
531587-5	12	8	7	2	5	12	531587-2
L.P. P/N	WIRE RANGE	INSULATION RANGE	FINISH	PART NO			

UNLESS OTHERWISE SPECIFIED DIMENSIONS ARE IN INCHES. TOLERANCES ON DECIMALS	CONTRACT NO	AMP AMP INCORPORATED Harrisburg, Pa.	
	DR	NAME AMP BLADE II	
	CHK	RECEPTACLE CONTACT	
	APPD	SIZE B	CODE IDENT NO 00779
MATERIAL	DESIGN APPD	DRAWING NO 531587	
FINISH	OTHER APPD	SCALE 8-	SHEET OF