

NUMBER 201607

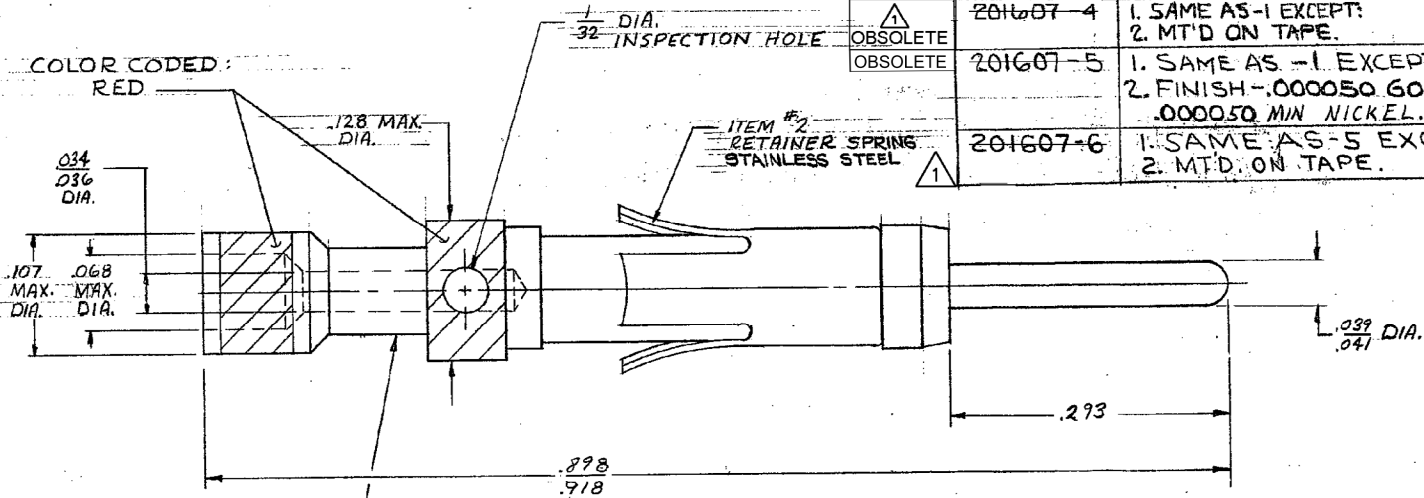
USED ON

NOTES:

⚠ OBSOLETE PARTS: OBSOLETE CIS STREAMLINING PER D.RENAUD/D.SINISI

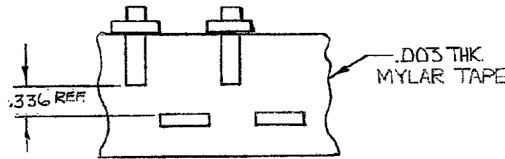
	201607-1	1. AS SHOWN
OBSOLETE	201607-2	1. SAME AS -1 EXCEPT: 2. FINISH OF ITEM 1, .0001 MIN SILVER OVER .00005 MIN NICKEL
OBSOLETE	201607-3	1. SAME AS -1 EXCEPT: 2. FINISH OF ITEM 1, .0001 MIN GOLD OVER .0001 MIN SILVER
OBSOLETE	201607-4	1. SAME AS -1 EXCEPT: 2. MT'D ON TAPE.
OBSOLETE	201607-5	1. SAME AS -1 EXCEPT: 2. FINISH-.000050 GOLD MIN OVER .000050 MIN NICKEL.
⚠	201607-6	1. SAME AS -5 EXCEPT: 2. MT'D ON TAPE.

COLOR CODED:
RED



ITEM #1
PIN BODY
COPPER ALLOY
.00003 MIN GOLD OVER
.00005 MIN NICKEL

WHEN ORDERING CONTACT ON TAPE, ORDER BY THE TAPE NUMBER PLUS THE PACKAGING CODE AS FOLLOWS:
 1. FOR USE WITH AMP TAPETRONIC, PNEUMATIC TOOL -
 A. 1000 PARTS TO A BOX ADD PACKAGING CODE: 1MBOX
 2. FOR USE WITH 4/8 INDENT STRIPPER CRIMPER -
 A. 1000 PARTS TO A REEL ADD PACKAGING CODE: 1MREEL
 B. 5000 PARTS TO A REEL ADD PACKAGING CODE: 5MREEL



TAPE MT'D ASS'Y
201607-4 AND
201607-6 ONLY.

TERMINALS
EXCEPT AS NOTED
DECIMALS: ± .005
FRACTIONS: ± 1/64
ANGLES: ± 1/2°

MATERIAL SEE CALL OUT	DR. <i>Kauf</i> 12-1-61	ENGR. <i>V.B. Mully</i> 12-5-61
HEAT TREAT H	CHK. <i>W.H. 12-5-61</i>	APP. <i>R.C. 12/5/61</i>
FINISH SEE CALL OUT	STE TE Connectivity	
NAME #20 PIN CONTACT ASS'Y		
WIRE SIZE 28-29 ~ .035 ~ .055 INS. DIA		
SCALE 10:1	LOC FT	NO 201607
		REV N

PRINT QTY 3	47	N	REVISION RECORD	12APR2016	NK	MZ
		LTR	DATE	DWN	APVD	