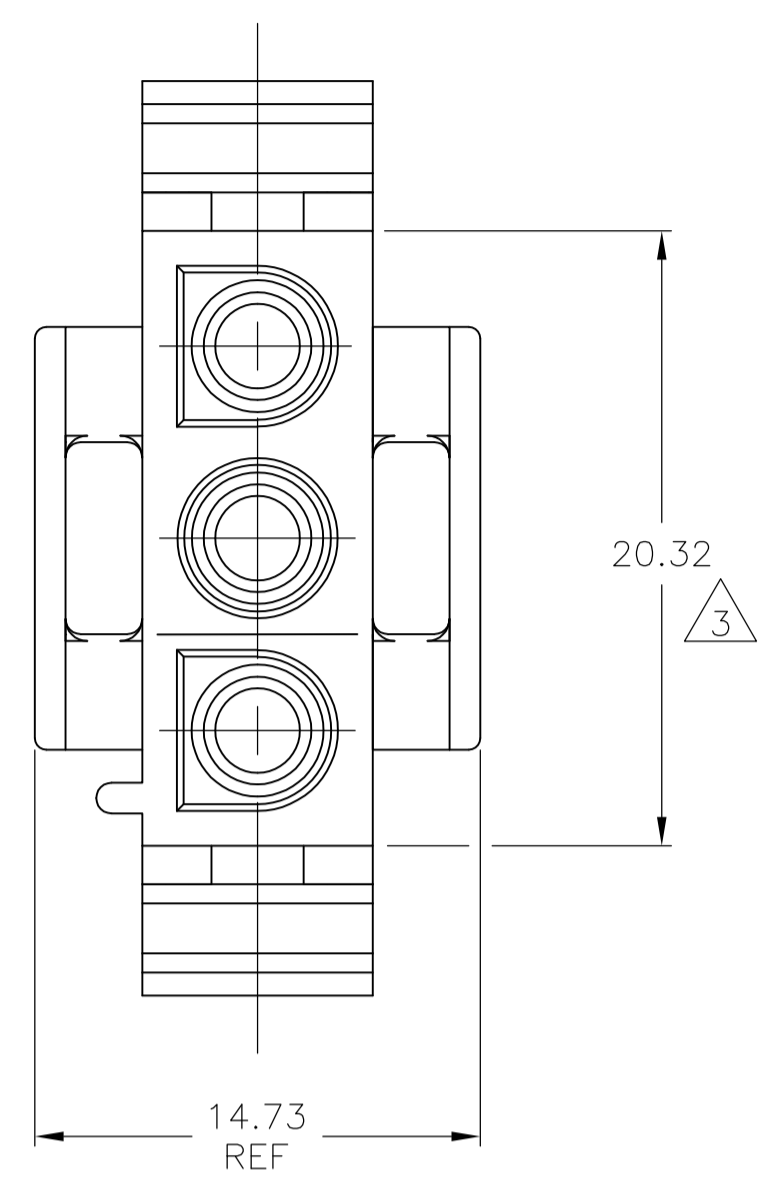
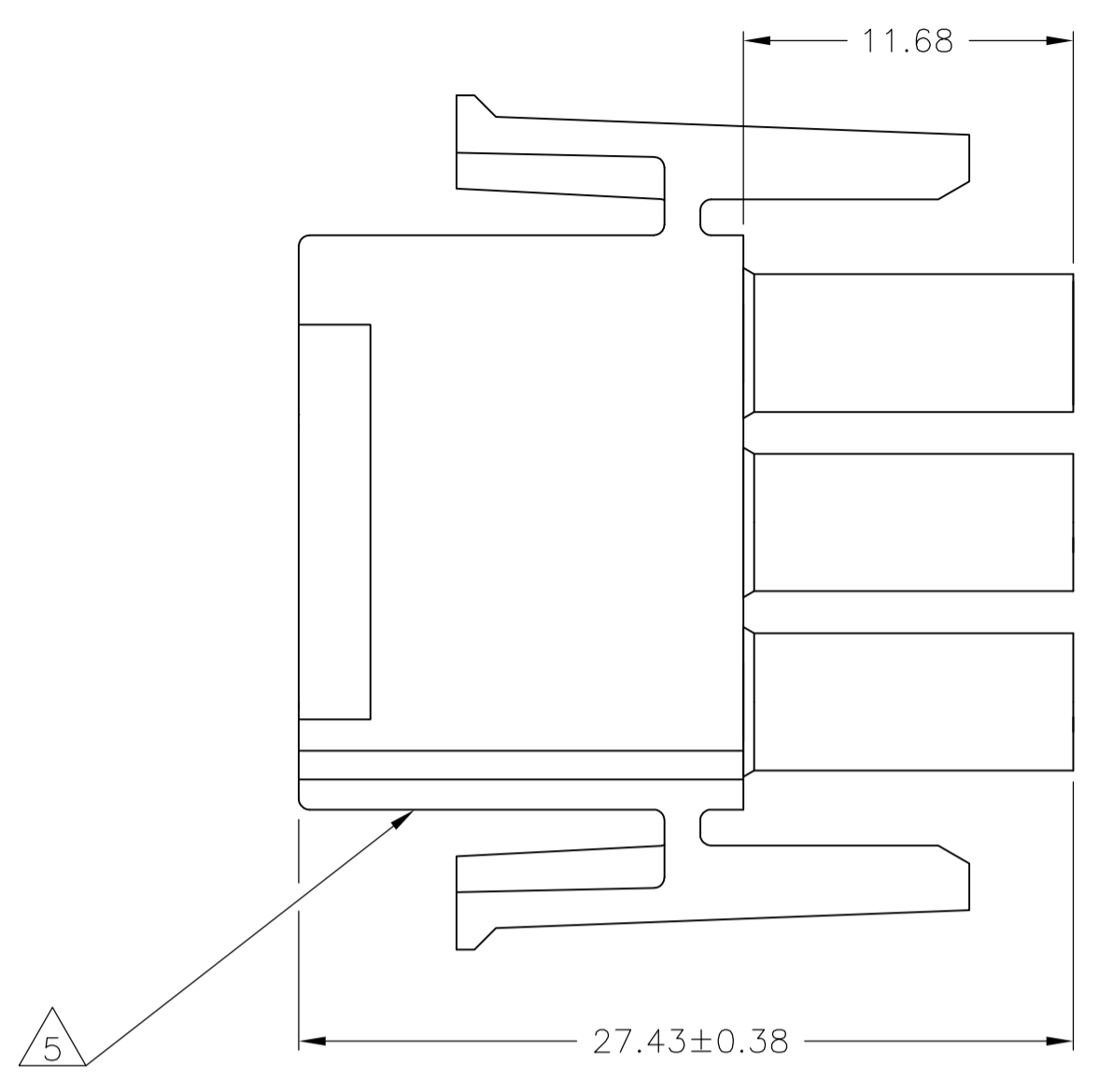
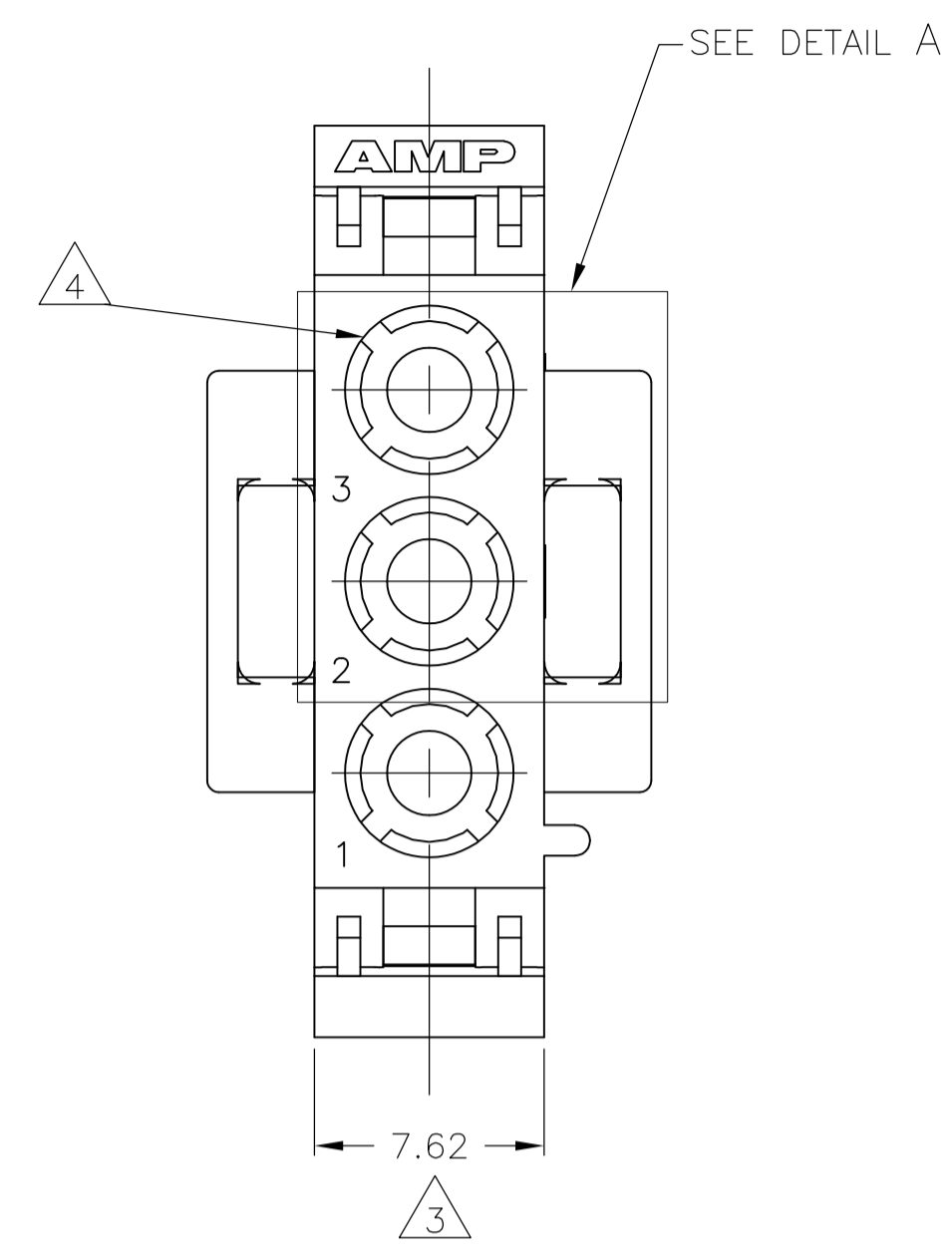
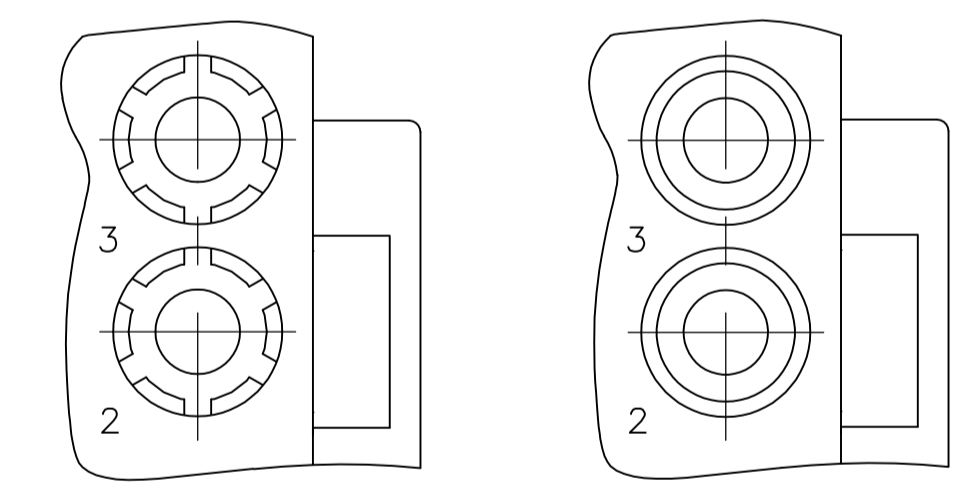
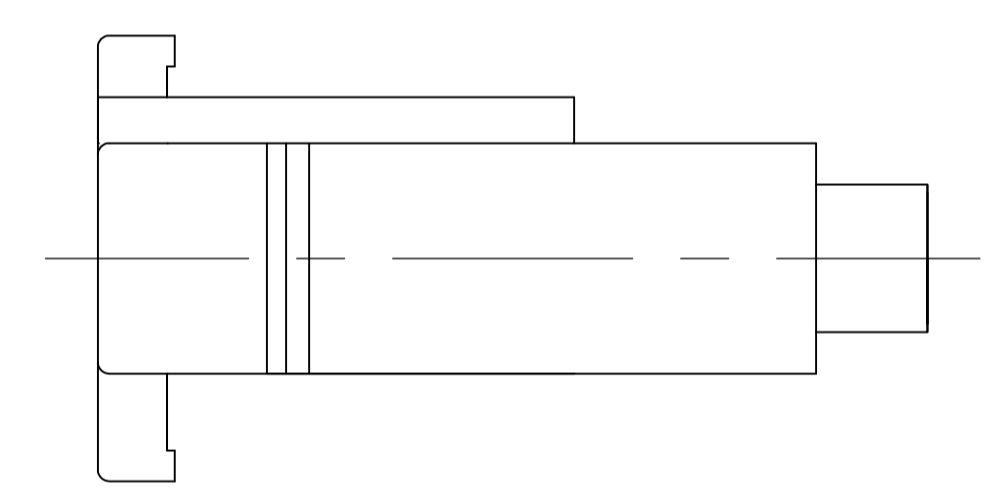


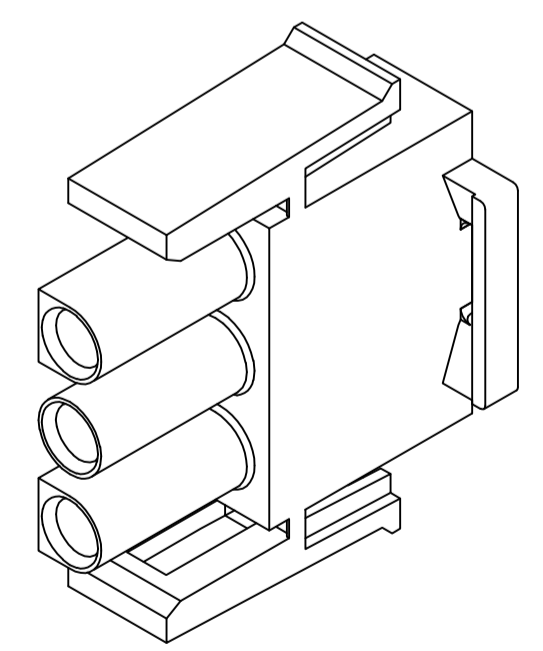
LOC	DIST	REVISIONS			
P	LTR	DESCRIPTION	DATE	DWN	APVD
CM	53	AR1	REVISED PER ECO-11-004587	11MAR11	RK HMR



1. MATES WITH APPROPRIATE UNIVERSAL MATE-N-LOK™ CAP OR HEADER.
2. SMALL NICKS ARE PERMITTED ON THE CIRCUIT TOWERS WHICH COULD INCREASE THE INITIAL HOUSING MATING FORCE BY UP TO 4.4 NEWTONS [1.0 LBS]. NO INDIVIDUAL NICKED TOWER SHALL INCREASE THIS FORCE BY OVER 2.2 NEWTONS [.5 LBS].
3. DIMENSION INDICATED IS AS MOLDED. ADDITIONAL GROWTH DUE TO SUBSEQUENT MOISTURE ABSORPTION MAY OCCUR.
4. FOUR RIBS EQUALLY SPACED, NO SPECIFIC ORIENTATION. NO RIBS OR SIX RIBS EQUALLY SPACED, NO SPECIFIC ORIENTATION, OPTIONAL.
5. UNDERWRITERS RECOGNIZED COMPONENT LOGO AND CSA CERTIFICATION LOGO TO BE LOCATED ONCE EACH ON SIDE OF HOUSING.



DETAIL A
OPTIONAL CONSTRUCTION



3-DIMENSIONAL MODEL
NTS

BLACK	1-480700-9
GREY	1-480700-8
BLUE	1-480700-6
GREEN	1-480700-5
YELLOW	1-480700-4
ORANGE	1-480700-3
RED	1-480700-2
BROWN	1-480700-1
NATURAL	1-480700-0
COLOR	PART NUMBER

MM	IN
27.43	1.080
20.32	.800
14.73	.580
11.68	.460
7.62	.300
0.38	.015
0.13	.005
MM	IN

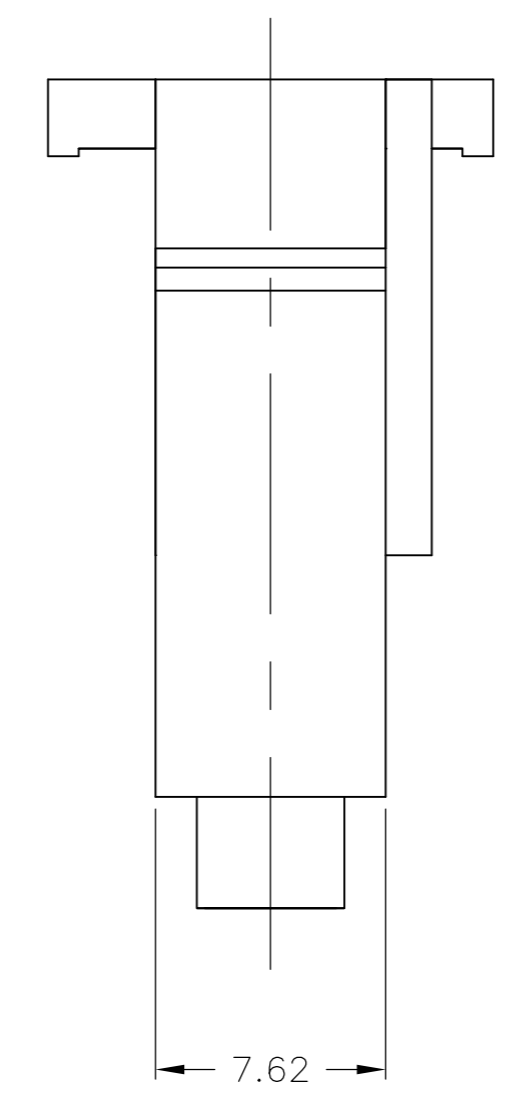
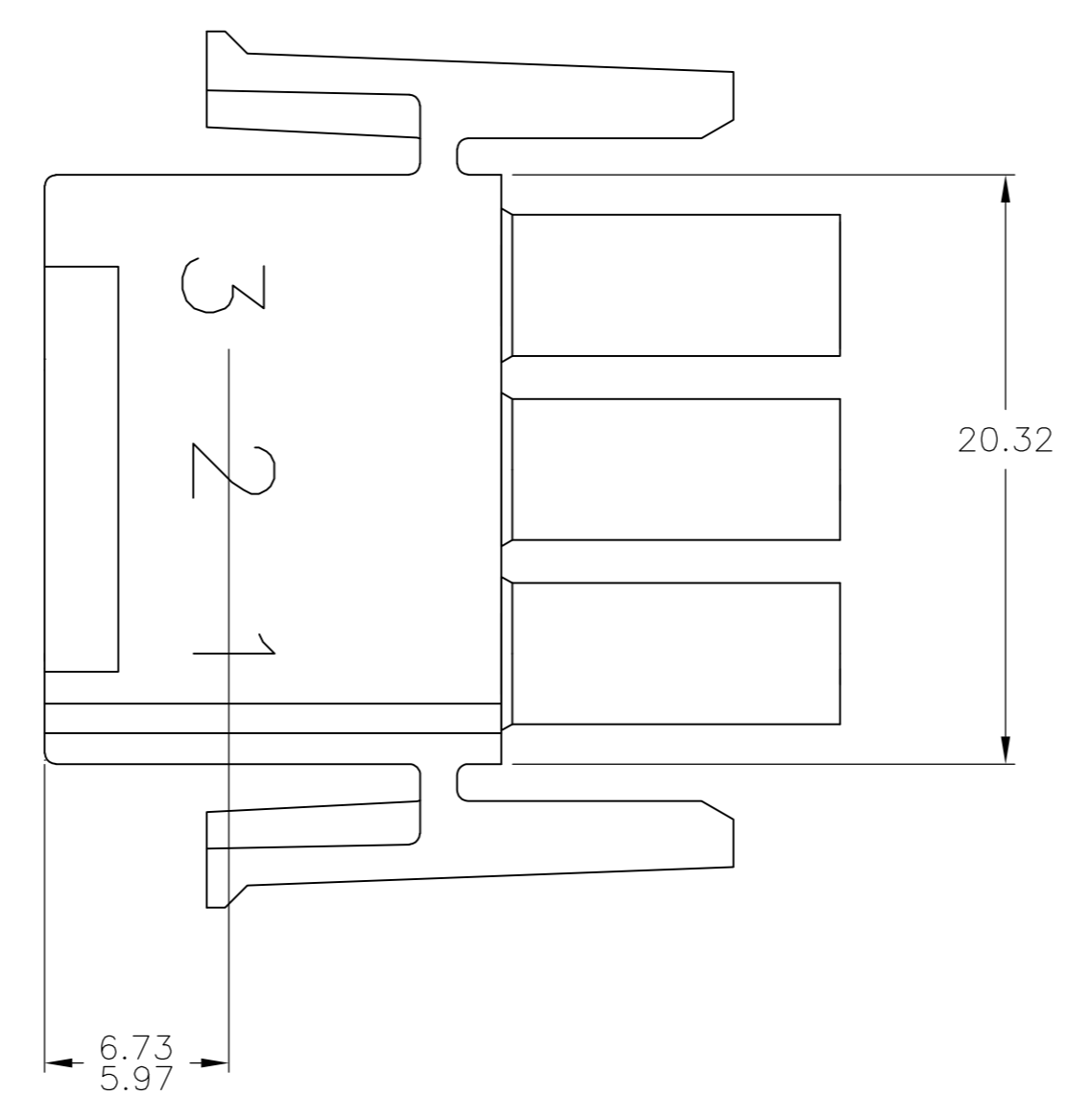
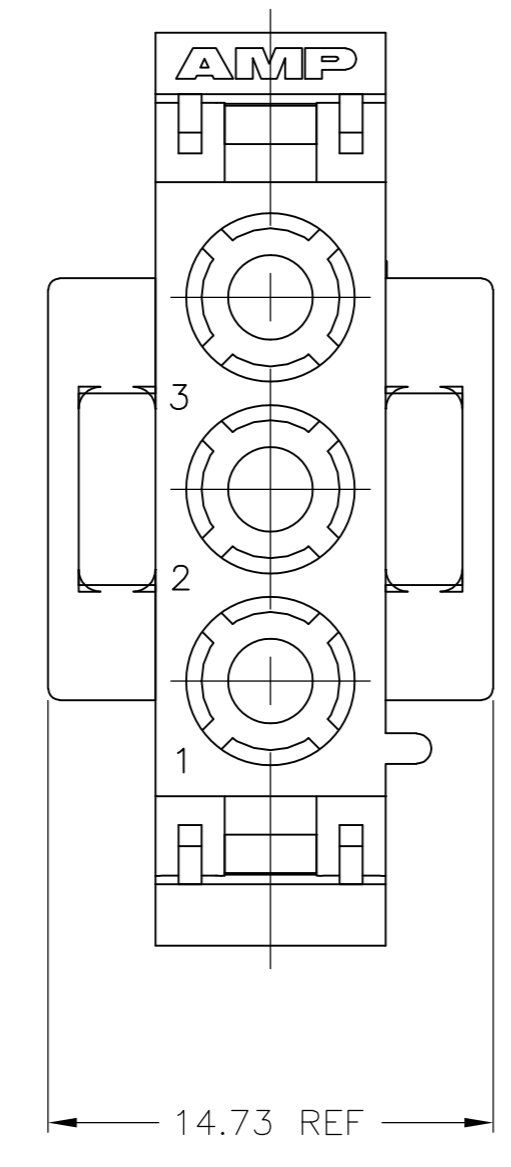
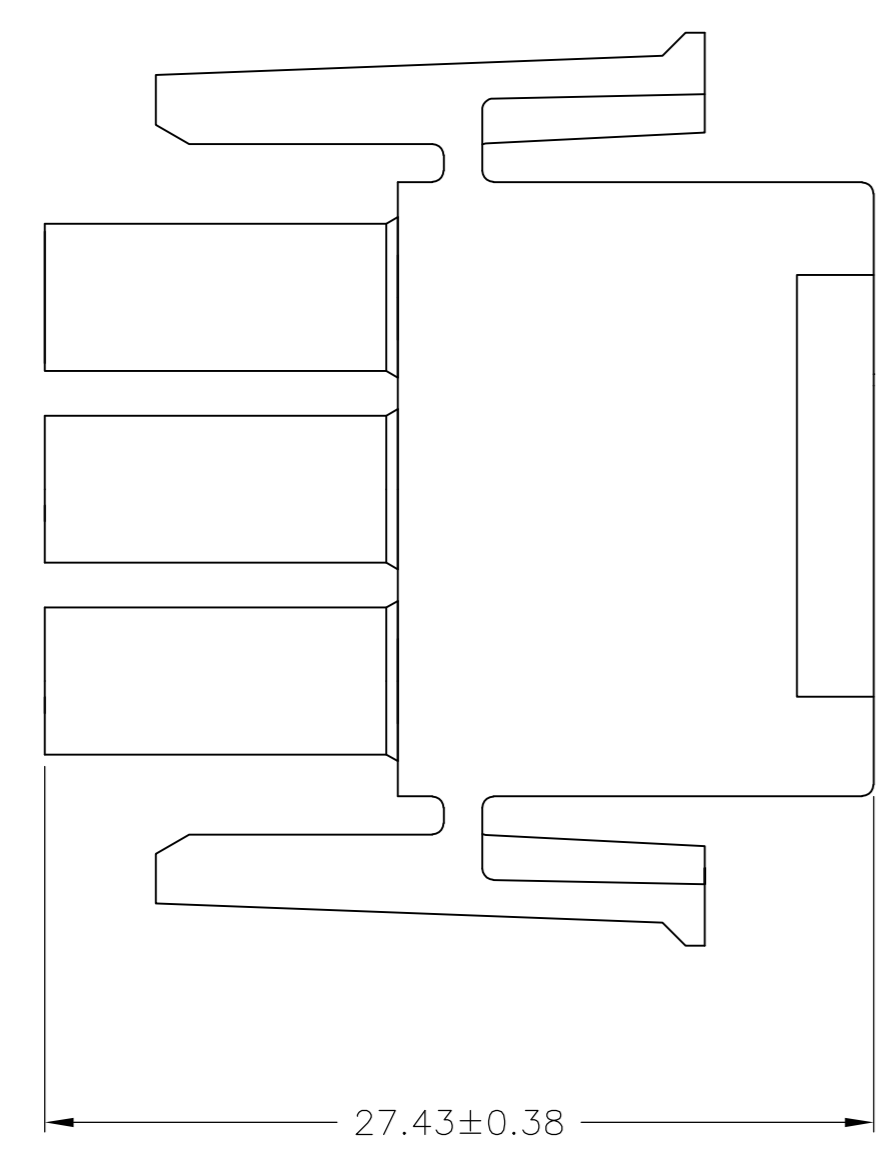
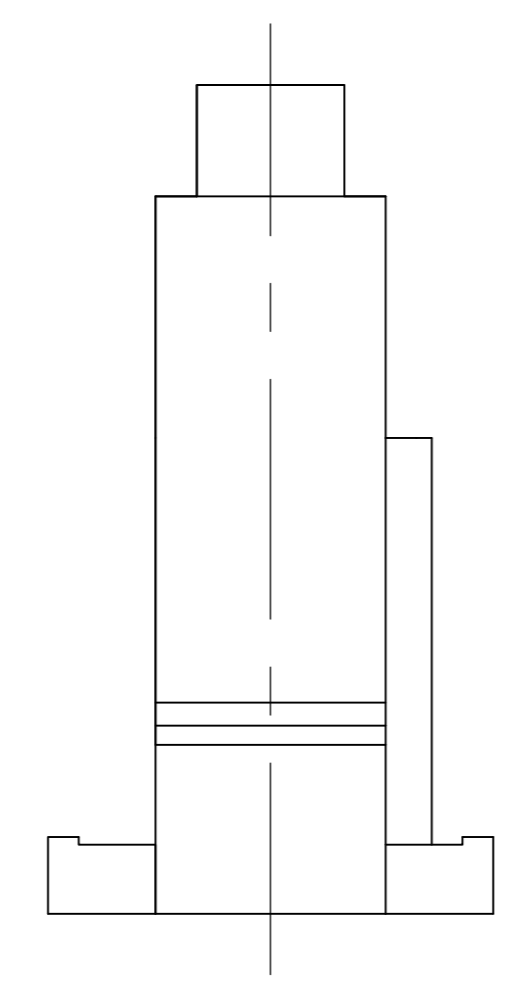
CONVERSION TABLE

THIS DRAWING IS A CONTROLLED DOCUMENT.

DIMENSIONS:	TOLERANCES UNLESS OTHERWISE SPECIFIED:	DIN R VESTAL 18JAN95	NAME
mm	0. PLC ± -	CHK R SWING 18JAN95	PLUG, 3 CIRCUIT, UNIVERSAL MATE-N-LOK(TM)
	1. PLC ± -	APP'D D SELF 18JAN95	SIZE
	2. PLC ± 0.13	PRODUCT SPEC	A1
	3. PLC ± -	APPLICATION SPEC	CAGE CODE
	4. PLC ± -	WEIGHT	DRAWING NO
	ANGLES ± 0° 30'	CUSTOMER DRAWING	480700
MATERIAL NYLON, UL 94V-2	FINISH -	SCALE 4:1	SHEET 1 OF 2

STE TE Connectivity

METRIC



1. STAMP NUMBERS 3.18 HIGH AT WIRE END OF HOUSING (12 POINT DAVID TYPE).
2. CHARACTERS TO BE POSITIONED ON HOUSING TO BE READ FROM WIRE END ONLY.
3. VIOLET, BLACK, BROWN AND BLUE COLORED BLOCKS TO BE STAMPED WITH WHITE CHARACTERS. ALL OTHER COLORED BLOCKS TO BE STAMPED WITH BLACK CHARACTERS.

6.73	.265	-	-
5.97	.235	27.43	1.080
3.18	.125	20.32	.800
0.38	.015	14.73	.580
0.13	.005	7.62	.300
MM	IN	MM	IN

CONVERSION TABLE

NATURAL	2-480700-0
COLOR	PART NUMBER

THIS DRAWING IS A CONTROLLED DOCUMENT.		DWN R. VESTAL 18JAN95	TE Connectivity	
DIMENSIONS:		CHK R. SWING 18JAN95	NAME	
mm	TOLERANCES UNLESS OTHERWISE SPECIFIED:	APVD D. SELF 18JAN95	PLUG, 3 CIRCUIT, UNIVERSAL MATE-N-LOK(TM)	
	0 PLC ± -	PRODUCT SPEC	SIZE	
	1 PLC ± -	APPLICATION SPEC	CAGE CODE DRAWING NO	
	2 PLC ± 0.13	WEIGHT	A1 00779 480700	
	3 PLC ± -	RESTRICTED TO	CUSTOMER DRAWING	
	4 PLC ± -	SCALE	4:1	
	ANGLES ± 0° 30'	SHEET	2 OF 2	
MATERIAL NYLON, UL 94V-2	FINISH -	REV	AR1	

