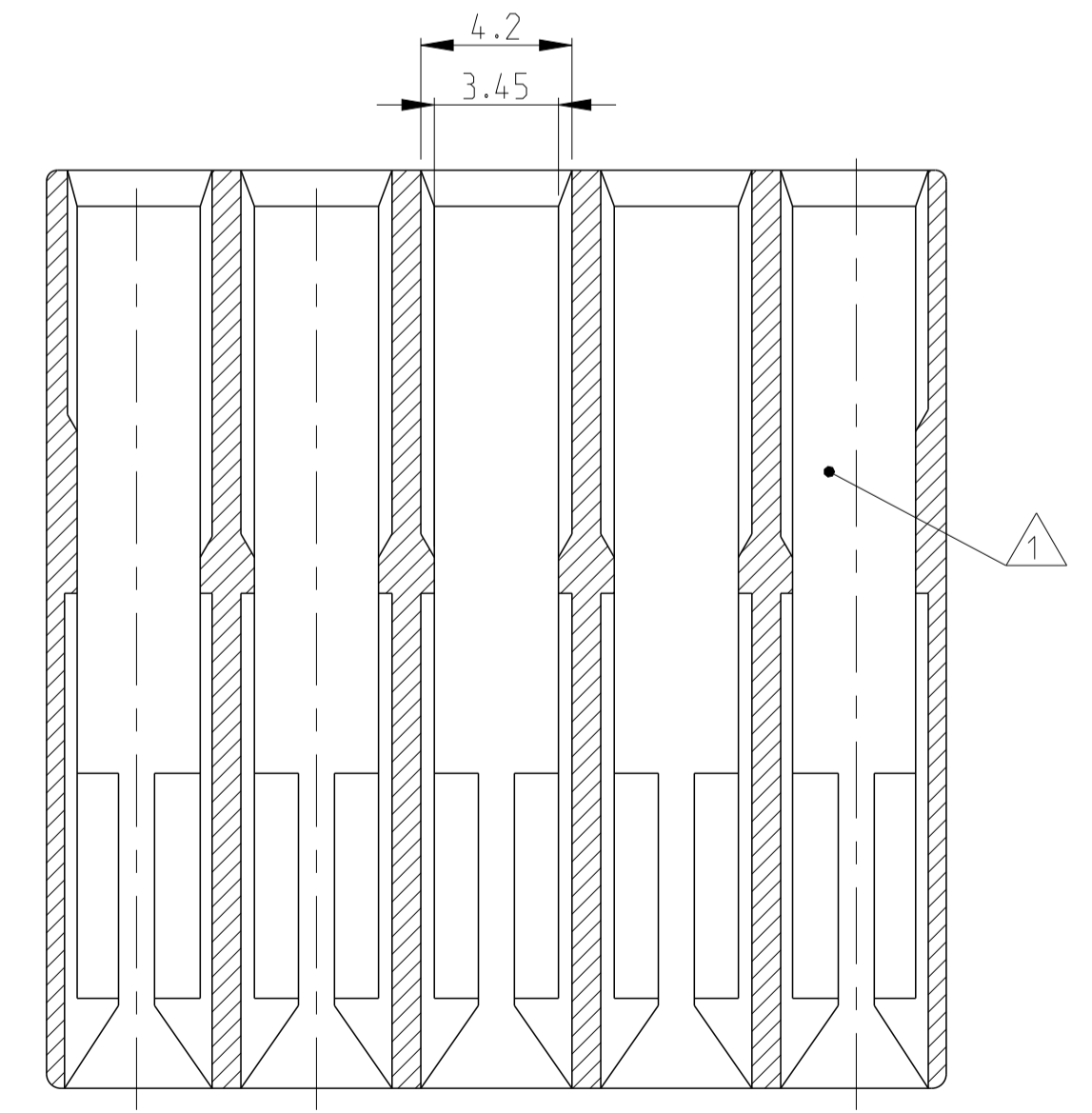
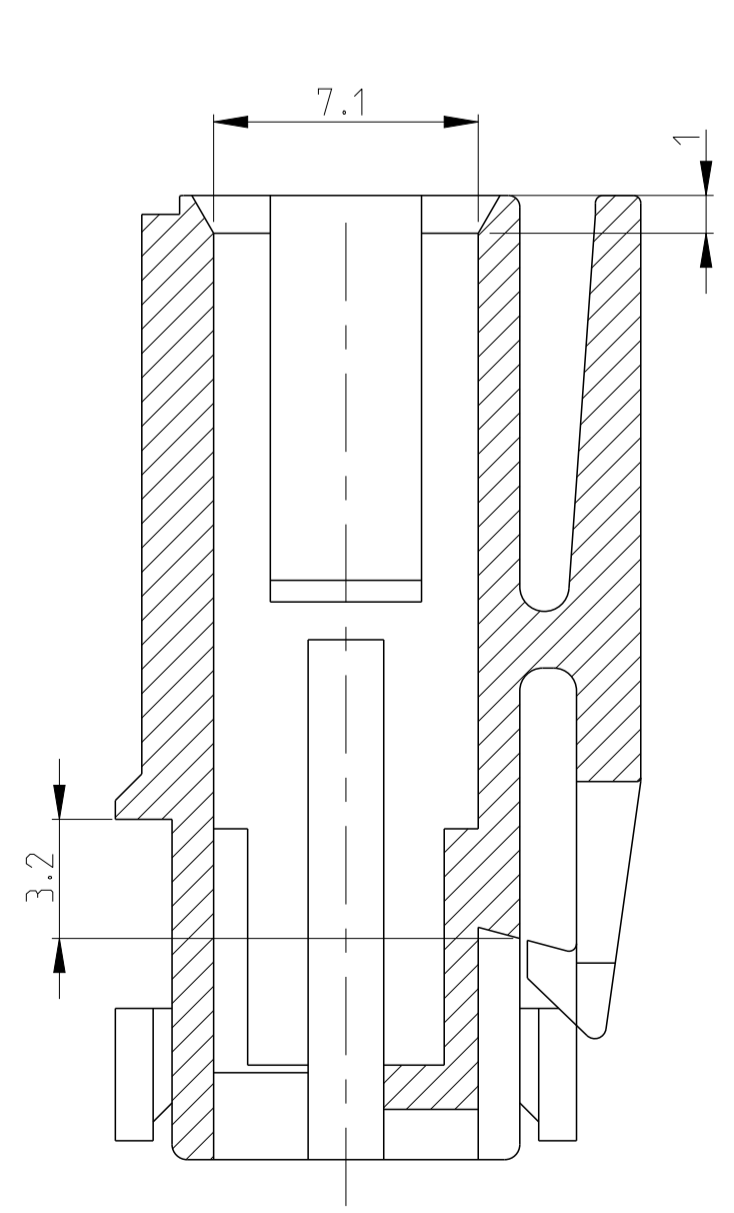
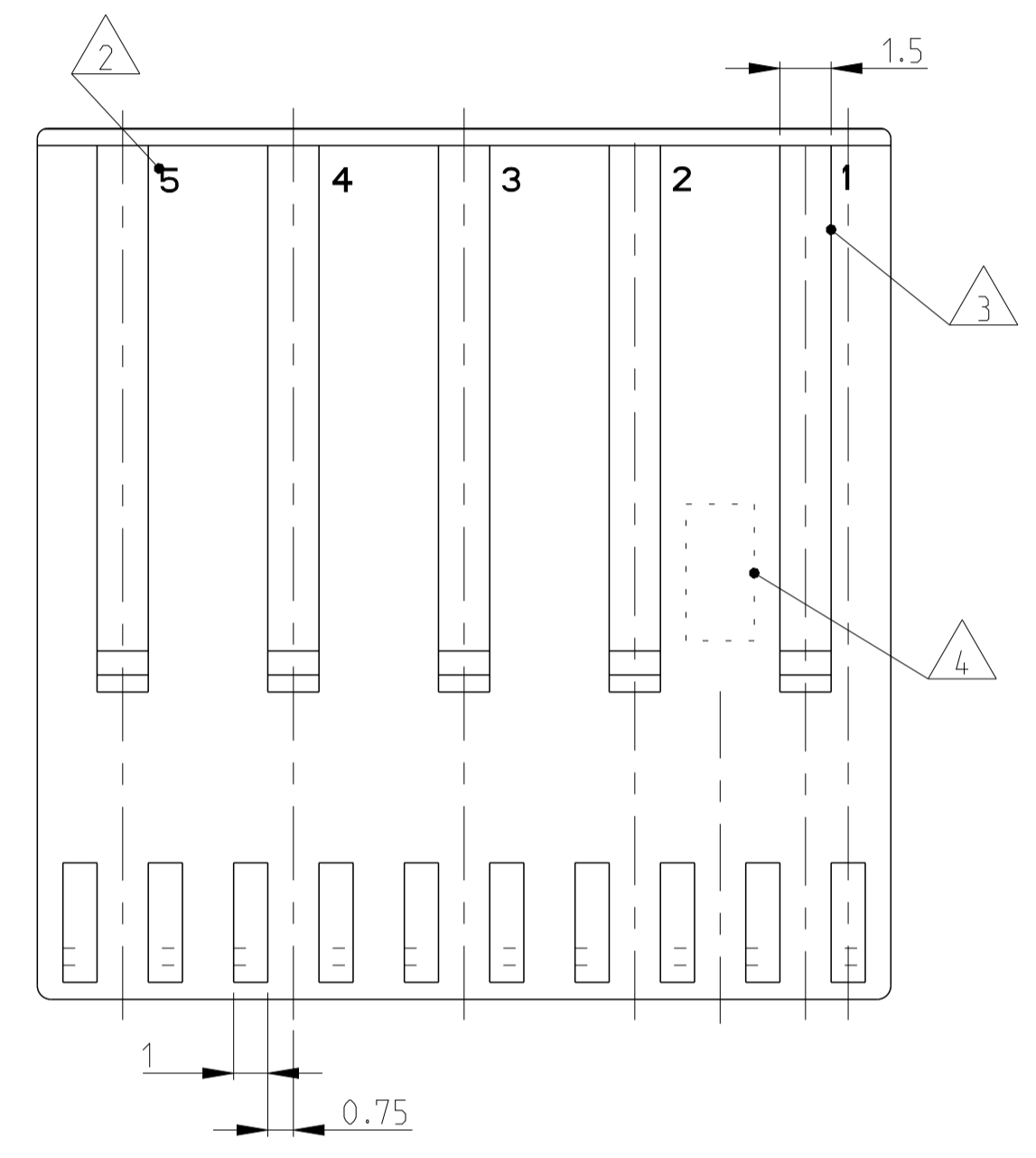
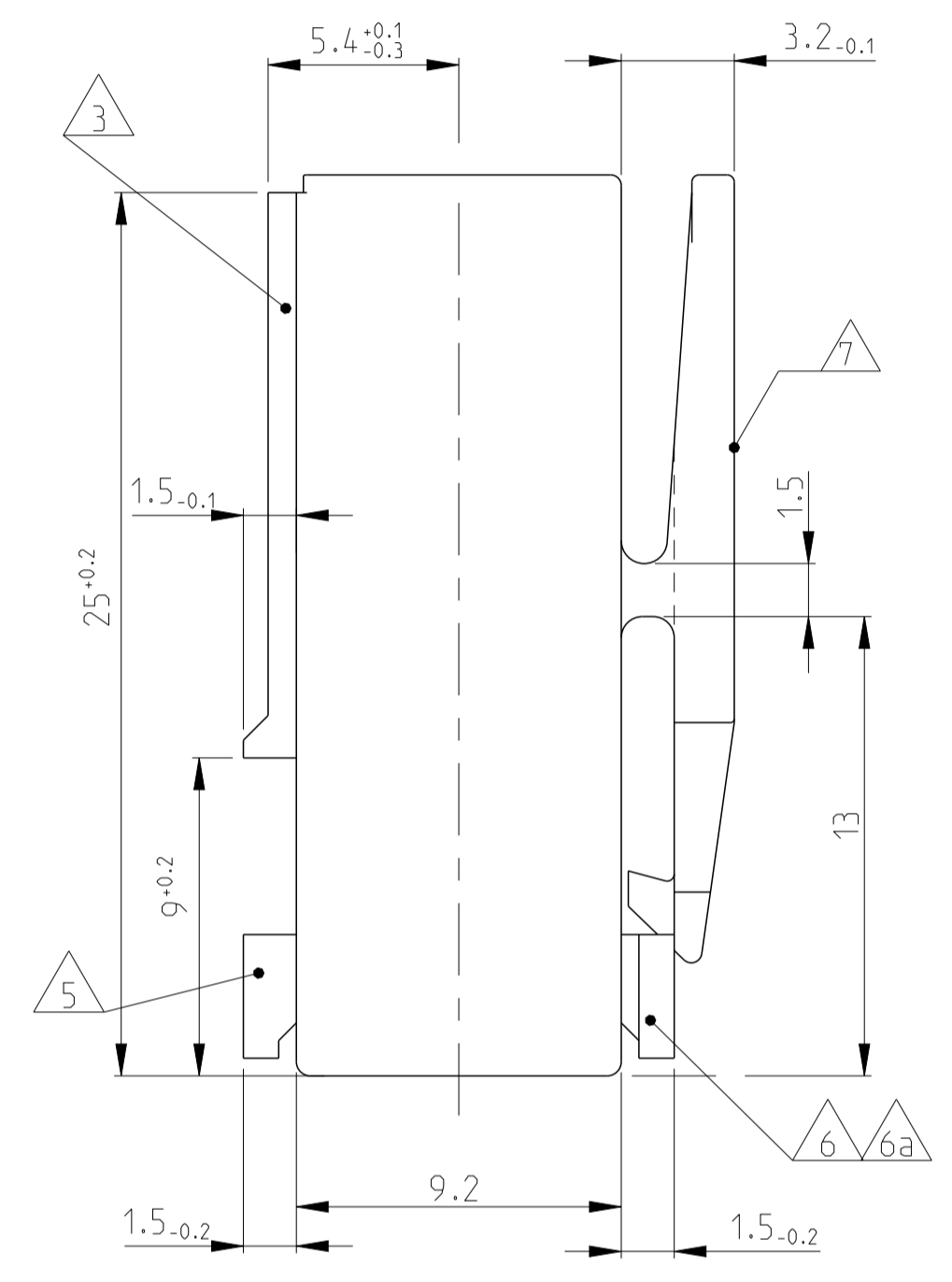
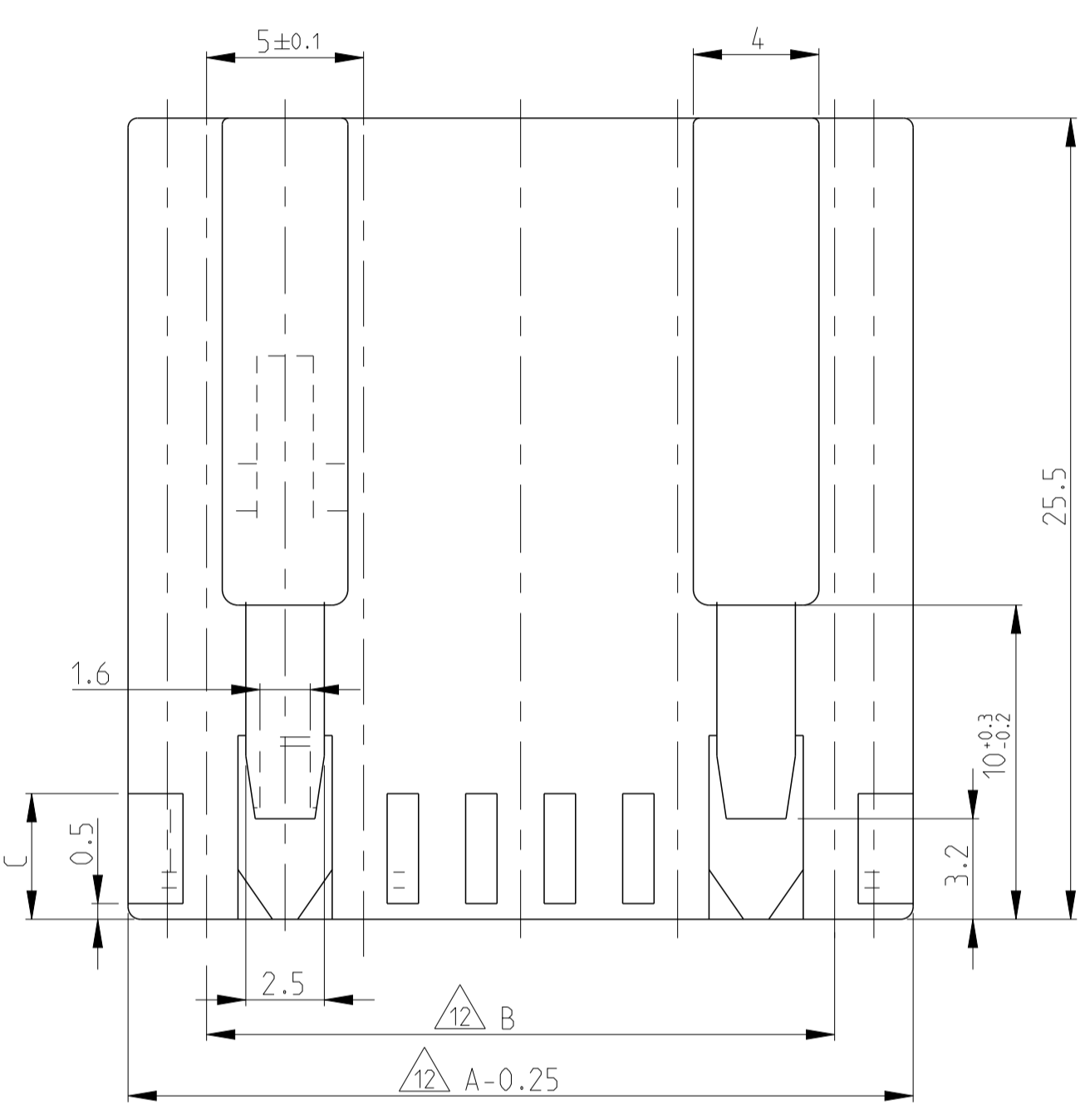
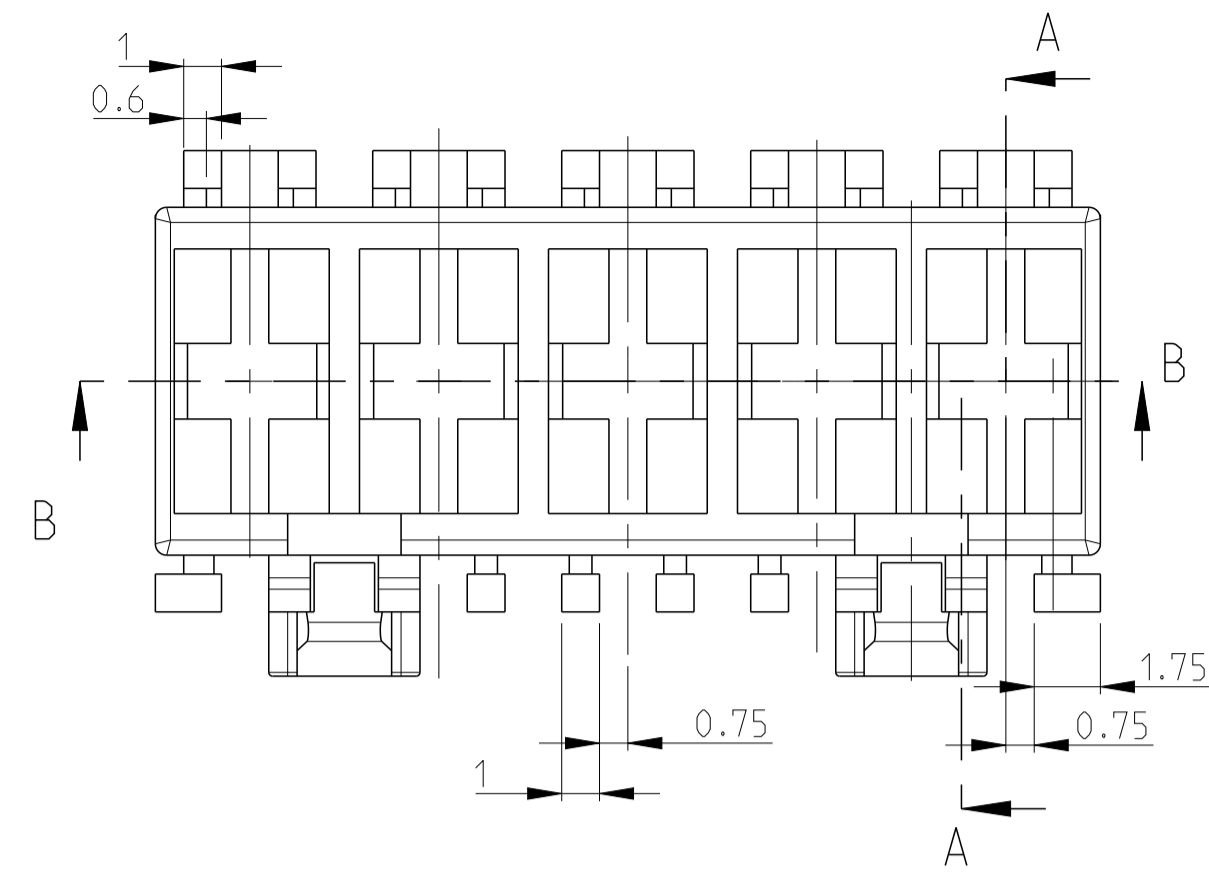


LOC		DIST		REVISIONS			
A1	-	P	LTA	DESCRIPTION	DATE	OWN	APVD
		C27	ECR-15-013489		14SEP2015	KD	RR
		C28	ECR-15-015988		30OCT2015	FL	RR
		C29	ECR-16-002241		17FEB2016	KD	RR
		C30	ECR-16-012969		13SEP2016	FV	RR



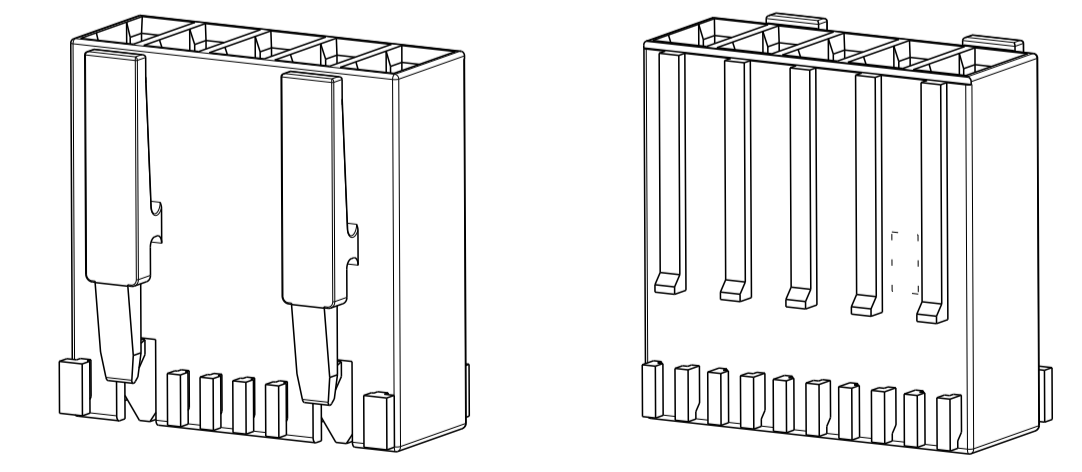
SECTION A-A / Schnitt A-A

SECTION B-B / Schnitt B-B

REMARKS/Bemerkungen

- 1 CAVITY SUITABLE FOR STANDARD TIMER CONTACTS LISTED IN PROD.SPEC. 108-18049, ITEM 3.3.2  
Kammer geeignet für Standard Timer Kontakte gelistet in Prod. Spec. 108-18049, Punkt 3.3.2
- 2 CONTACT CAVITY NO.  
Kontaktkammernummerierung
- 3 MATING STOP  
Tiefenanschlag
- 4 AREA FOR TE LOGO ACC: TO SPEC 202-36  
Bereich für TE Logo nach Spec. 202-36
- 5 POLARIZATION RIB POSITION "a" AND/OR "b"  
Polarisierungsrippe Position "a" und/oder "b"
- 6 KEYING RIB POSITION "c" AND/OR "d"  
Kodierrippe Position "c" und/oder "d"
- 6a KEYING RIB POSITION "c" AND/OR "d" AT THE END WALLS OF THE HOUSING  
Kodierrippe Position "c" und/oder "d" an den Gehäusestirnseiten
- 7 LOCKING LATCH  
Rasthaken
- 8 TE PART NO (PN)  
TE Bestell Nr. (PN)
- 9 DESIGN OF THE HOUSINGS ACC. TO RAST 5 STANDARD  
Gehäuseausführung gemäss RAST 5 Vorgabe
- 10 GENERAL SUITABLE TAB HEADER SEE RAST 5 PERFORMANCE  
Generell passende Flachsteckerwannen siehe RAST 5 Vorgabe
- 11 PACKAGING: BULK PACKAGING IN CORRUGATED BOX PN 740580-2  
2 POS. 2500 PIECES PER BOX / 3 POS. 2000 PIECES PER BOX  
Verpackung: Schüttgut in Versandkarton Pn 740580-2  
2pol. 2500 Stück per Karton / 3pol. 2000 Stück per Karton
- 12 DIMENSION A, B AND C SEE SHEET 2 OF 3
- 13 MATERIAL CORRESPONDS TO THE REQUIREMENT EN 60335  
(INCL. GLOW WIRE TEST 750° WITHOUT FLAME)  
Material entspricht den Anforderungen der EN 60335  
(inkl. Glühdrahttest 750° ohne Flamme)
- 14 RATIO NUMBER OF THE KEYING VERSION, INKJET PRINTED. SEE SHEET 2  
Kodierungskennnummer, mit Tintenstrahldrucker aufgebracht. siehe Blatt 2
- 15 PRELIMINARY- NOT RELEASED FOR PRODUCTION

5 POSITION  
STD. TIMER MARK-II HOUSING

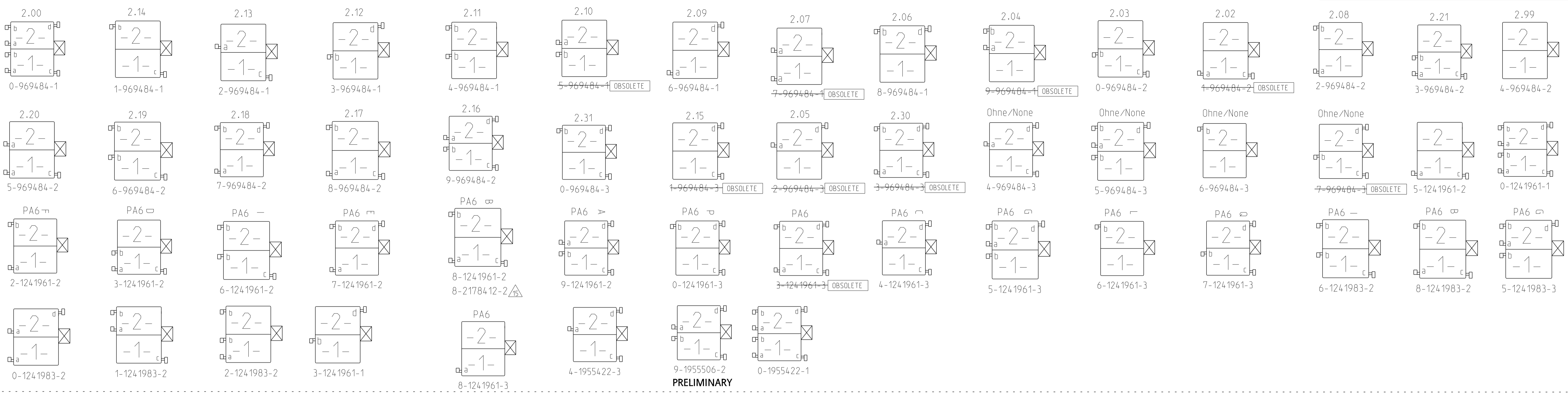


SCALE 2:1

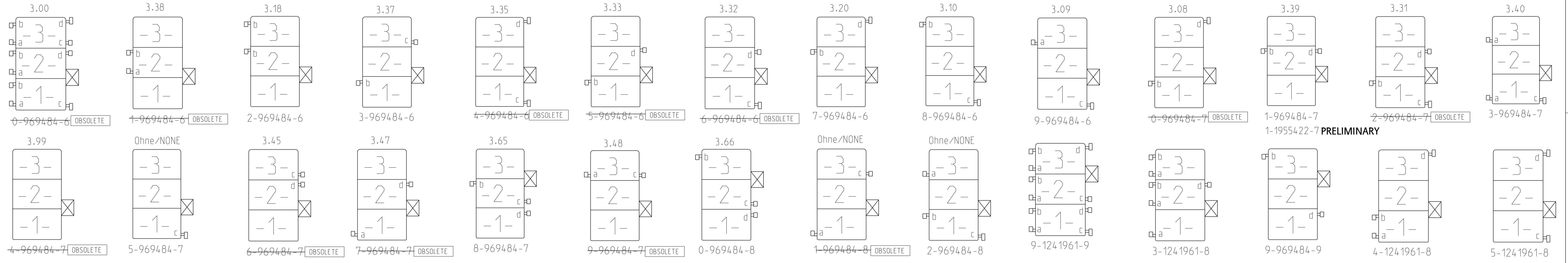
THIS DRAWING IS A CONTROLLED DOCUMENT.		OWN	Kishor M	18-10-07		NAME		STANDARD TIMER HSG. RAST 5 MARK II
DIMENSIONS:		CHK	K. Mundz	18-10-07		PRODUCT SPEC		108-18049
TOLERANCES UNLESS OTHERWISE SPECIFIED:		APVD	Tr. Klanner	18-10-07	APPLICATION SPEC			
mm	0 PLC ±0.2	MATERIAL:		WEIGHT	SIZE		A1	00779
	1 PLC ±0.2	FINISH			CAGE CODE		00779	1241961
	2 PLC ±0.2				DRAWING NO		1241961	
	3 PLC ±0.2				RESTRICTED TO			
	4 PLC ±0.2				SCALE		5:1	
	ANGLES ±°				SHEET		1	3
					REV		C30	
MATERIAL: SEE TABLE SHEET 2 OF 3		Customer Drawing						



### 2 POSITION VARIANTS

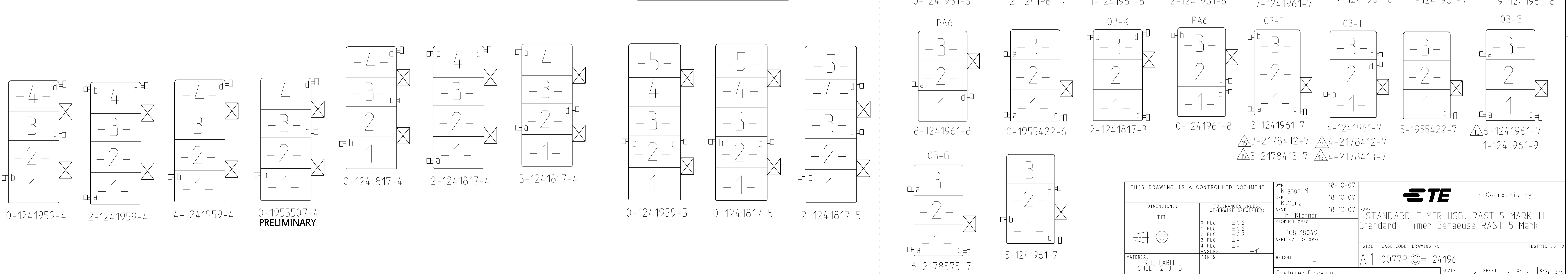


### 3 POSITION VARIANTS



### 4 POSITION VARIANTS

### 5 POSITION VARIANTS



DIMENSIONS: mm		TOLERANCES UNLESS OTHERWISE SPECIFIED:		OWN: K. Kishor M 18-10-07	CHK: K. MUNDZ 18-10-07	APVD: T. Klenner 18-10-07
0 PLC ±0.2		1 PLC ±0.2		NAME: STANDARD TIMER HSG. RAST 5 MARK II		
2 PLC ±0.2		3 PLC ±0.2		PRODUCT SPEC: Standard Timer Gehäuse RAST 5 Mark II		
4 PLC ±0.2		5 PLC ±0.2		APPLICATION SPEC: 108-18049		
ANGLES: -		FINISH: -		SIZE: A1		
MATERIAL: SEE TABLE SHEET 2 OF 3		WEIGHT: -		CAGE CODE: 00779		
DRAWING NO: 1241961		SCALE: 5:1		SHEET: 3 OF 3		
Customer Drawing		REV: C30				