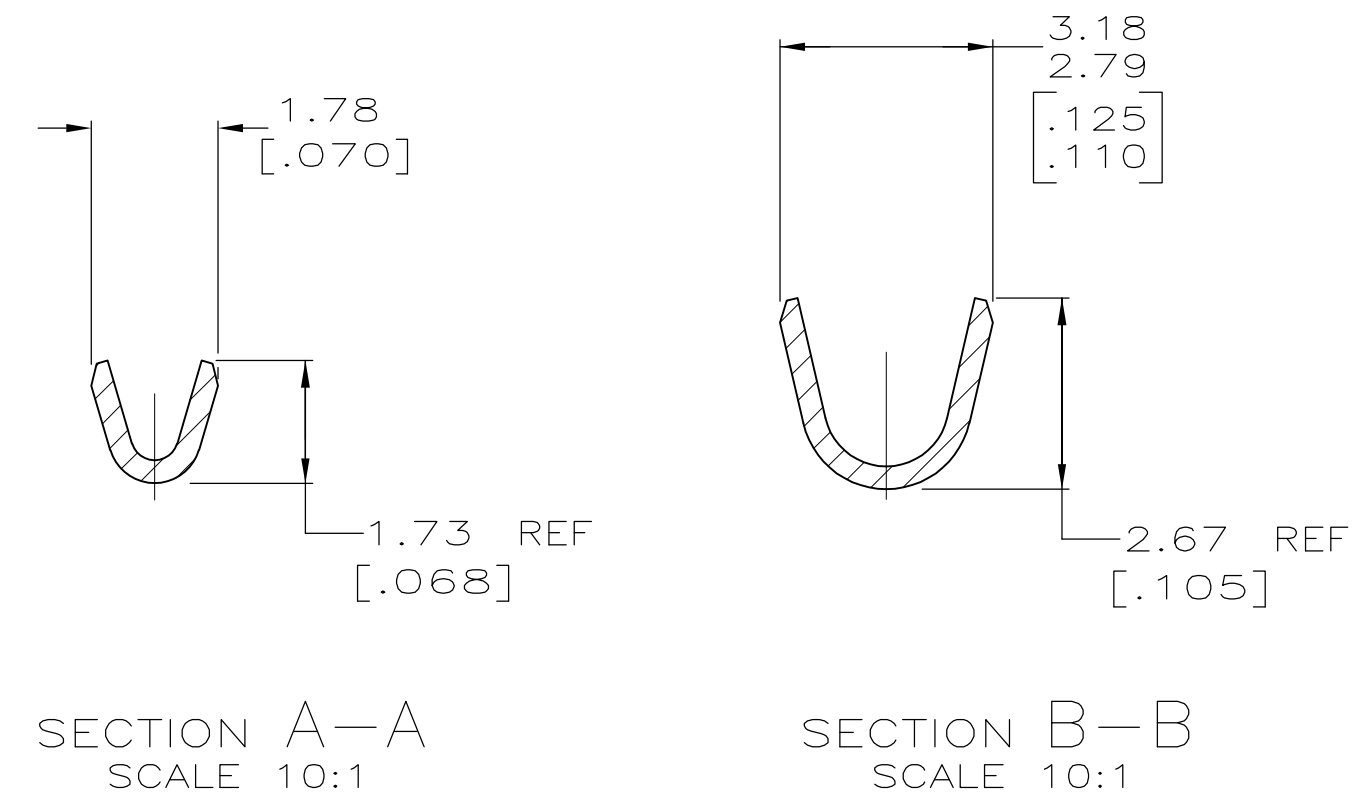
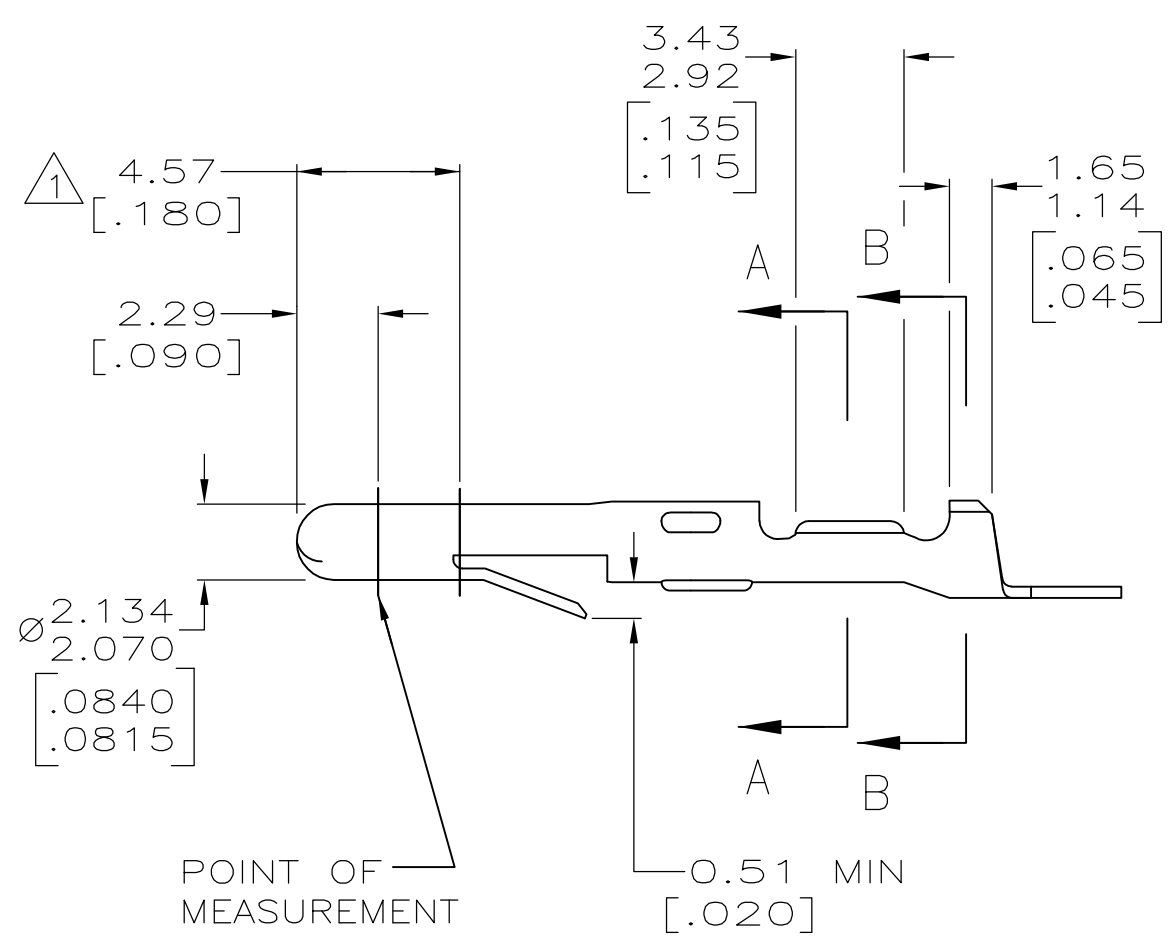
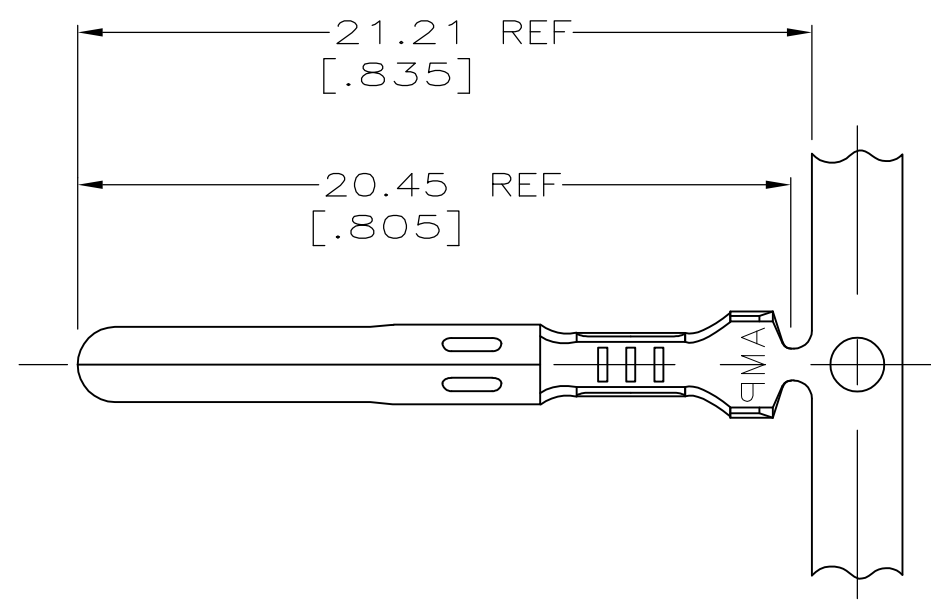


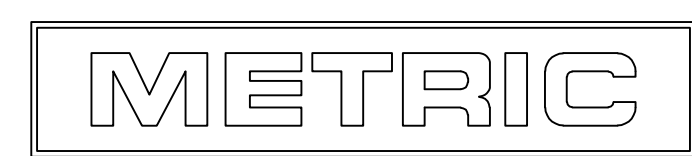
THIS DRAWING IS UNPUBLISHED. RELEASED FOR PUBLICATION
 © COPYRIGHT - By - ALL RIGHTS RESERVED.

LOC	DIST	REVISIONS			
P	LTR	DESCRIPTION	DATE	OWN	APVD
CM	53	U2	REVISED PER ECR 12-013810	24SEPT12	JR TM

1. PLATE OVERALL WITH 0.00127 [.000050] MIN NICKEL, THEN PLATE INSIDE OF WIRE BARREL AND ON TIP OF PIN WITH 0.00076 [.000030] MIN GOLD.
2. WIRE RANGE: 0.05 – 0.4 mm² [30 – 22 AWG].
3. INSULATION RANGE: 1.02–1.91 [.040–.075] DIA.
4. DIMENSIONS IN BRACKETS ARE IN INCHES.



1	0.30 [.012] BRASS	350079-5
PRE-TIN	0.30 [.012] PH BRZ	350079-4
PRE-TIN	0.30 [.012] BRASS	350079-1
FINISH	MATERIAL	PART NO



THIS DRAWING IS A CONTROLLED DOCUMENT FOR AMP INCORPORATED. IT IS SUBJECT TO CHANGE AND THE CONTROLLING ENGINEERING ORGANIZATION SHOULD BE CONTACTED FOR THE LATEST REVISION.

THIS DRAWING IS A CONTROLLED DOCUMENT.		DWN	K. SALMON	2-15-93	TE Connectivity
DIMENSIONS: mm[INCHES]		CHK	R. SWING	2-15-93	
TOLERANCES UNLESS OTHERWISE SPECIFIED:		APVD	C. MARTIN	2-22-93	
0 PLC ± - 1 PLC ± - 2 PLC ± 0.25 [.010] 3 PLC ± - 4 PLC ± - ANGLES ± ± -		NAME		PIN, MATE-N-LOK™	
MATERIAL	SEE TABLE	FINISH	SEE TABLE	WEIGHT	-
CUSTOMER DRAWING		SIZE	A2	CAGE CODE	00779
		DRAWING NO	G-350079		RESTRICTED TO
		SCALE	5:1	SHEET	1 OF 1
		REV	U2		