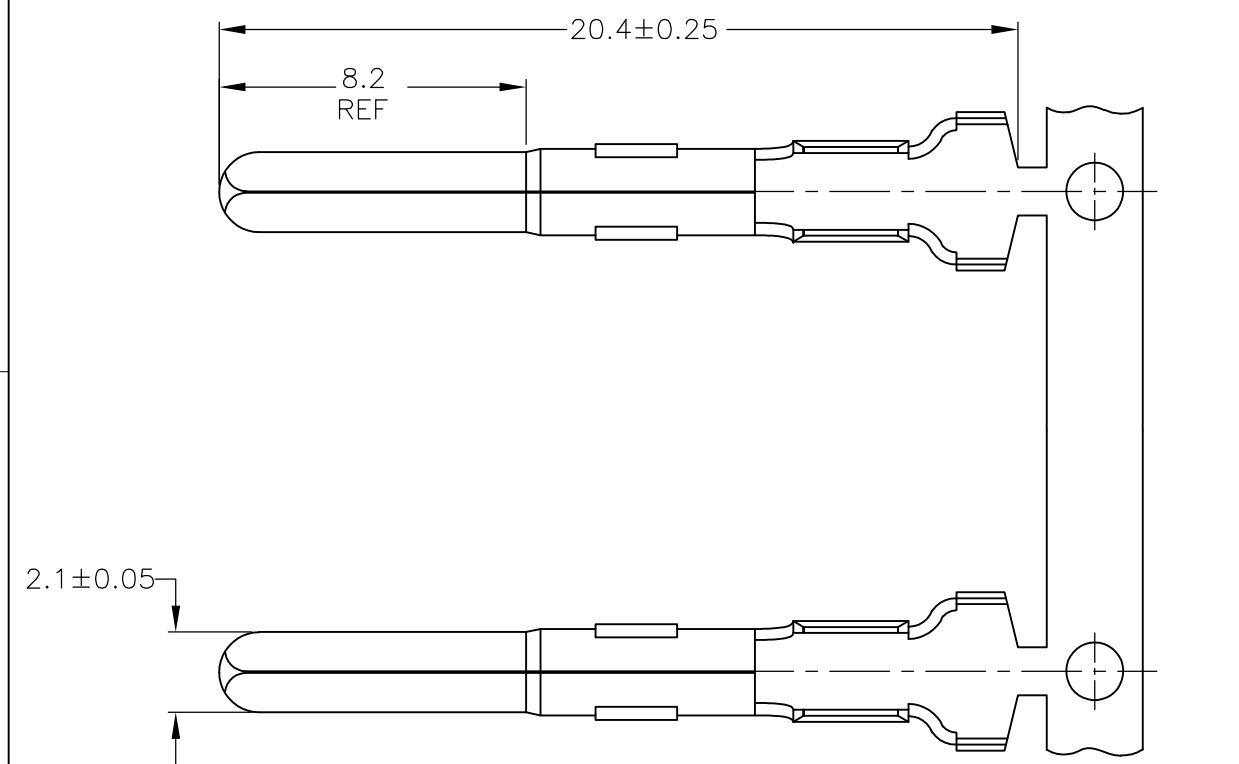
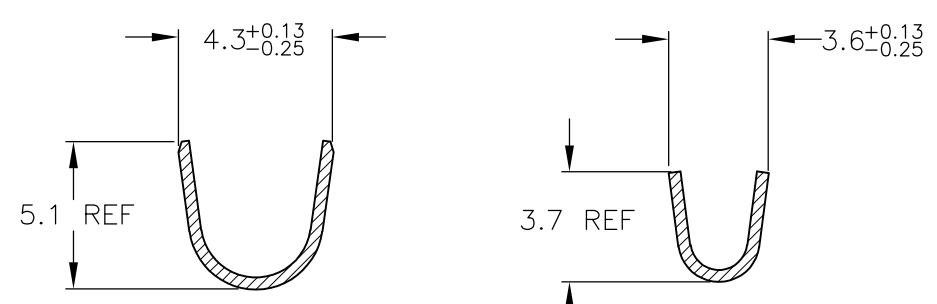


THIS DRAWING IS UNPUBLISHED. RELEASED FOR PUBLICATION
 © COPYRIGHT - By - ALL RIGHTS RESERVED.

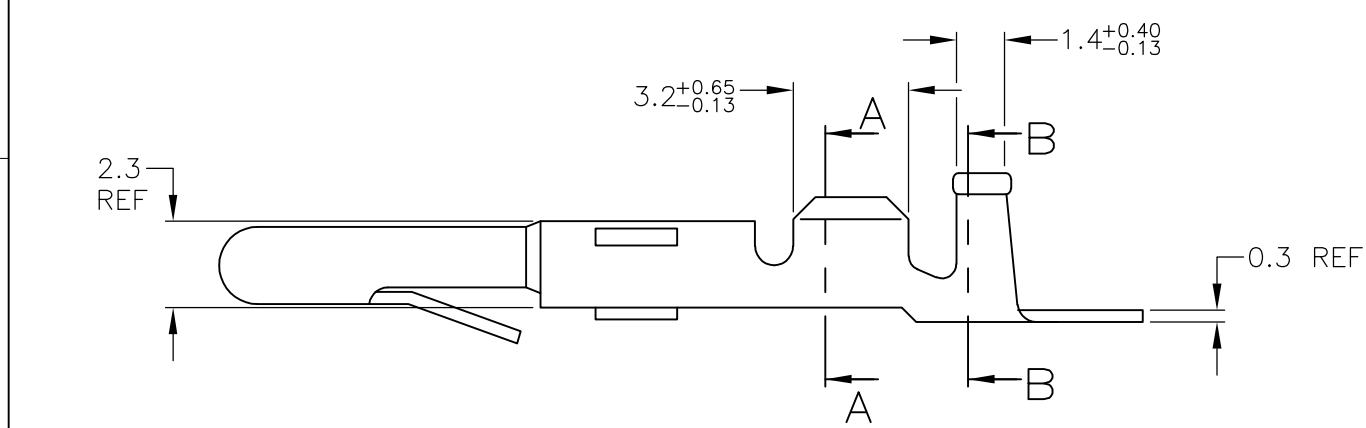
LOC	DIST	REVISIONS					
		P	LTR	DESCRIPTION	DATE	DWN	APVD
-	-		F2	REVISED PER ECR-16-001124	28JAN2016	BW	EW



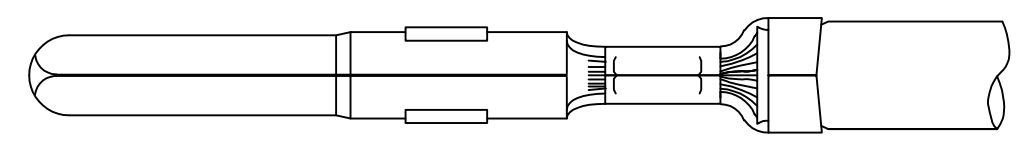
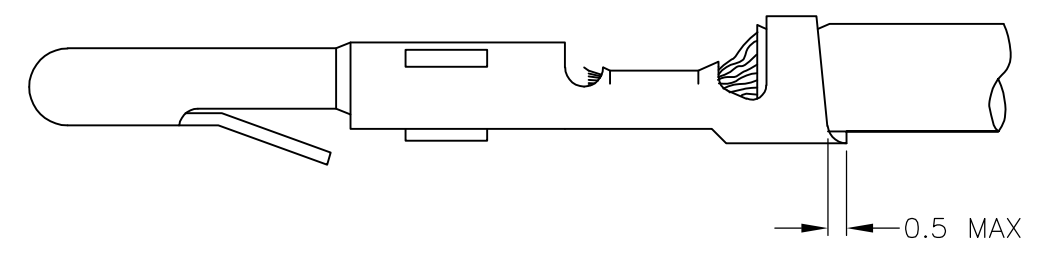
△1 FOR USE ON STANDARD APPLICATORS.(RIGHT-LEFT FEED)
 △2 FOR USE ON MINIATURE APPLICATORS.(LEFT-RIGHT FEED)



WIRE RANGE :
1.0-2.5mm² AWG
 INSULATION RANGE
2.6-3.8mm DIA



	△2	GOLD	BRASS	1-163303-0
	△1	GOLD	PHOSPHOR BR.	163303-9
	△2	PRE-TINPLATED	PHOSPHOR BR.	163303-8
OBSOLETE	△2	UNPLATED	PHOSPHOR BR.	163303-7
	△2	PRE-TINPLATED	BRASS	163303-6
OBSOLETE	△2	UNPLATED	BRASS	163303-5
	△1	PRE-TINPLATED	PHOSPHOR BR.	163303-4
	△1	UNPLATED	PHOSPHOR BR.	163303-3
	△1	PRE-TINPLATED	BRASS	163303-2
	△1	UNPLATED	BRASS	163303-1
		PLATING	PLATING	MATERIAL
				PART NUMBER



THIS DRAWING IS A CONTROLLED DOCUMENT.

DIMENSIONS: INCHES	TOLERANCES UNLESS OTHERWISE SPECIFIED: 0 PLC ± - 1 PLC ± - 2 PLC ± - 3 PLC ± - 4 PLC ± - ANGLES ± -	DWN J.v.LIEMPT 24 OCT 96 CHK A.BIJNEN. APVD M.v.DRIEL PRODUCT SPEC APPLICATION SPEC WEIGHT -	TE Connectivity PIN MATE-N-LOK.	
MATERIAL -	FINISH -	SIZE A3 CAGE CODE 00779 DRAWING NO C-163303	RESTRICTED TO -	
CUSTOMER DRAWING		SCALE -	SHEET 1 OF 1	REV F2