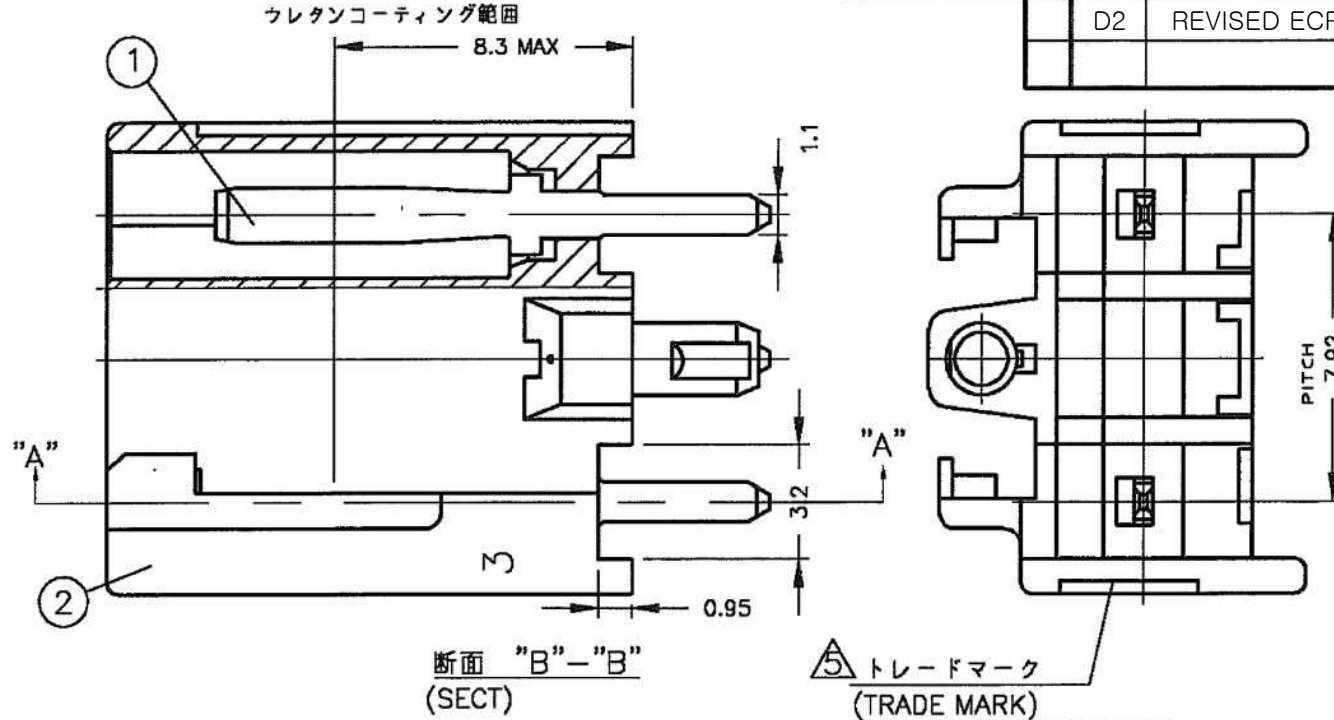
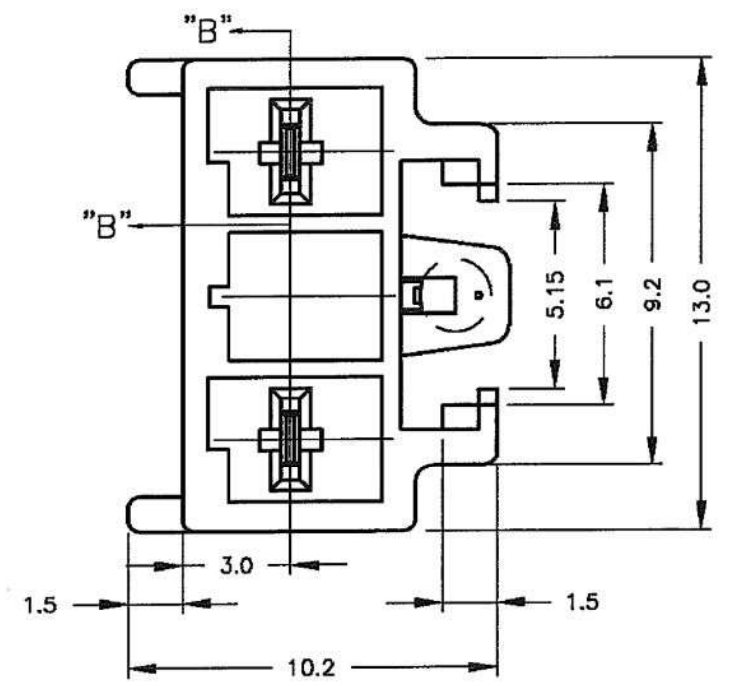


THIS DRAWING IS UNPUBLISHED. RELEASED FOR PUBLICATION  
 © COPYRIGHT BY TYCO ELECTRONICS CORPORATION. ALL RIGHTS RESERVED.

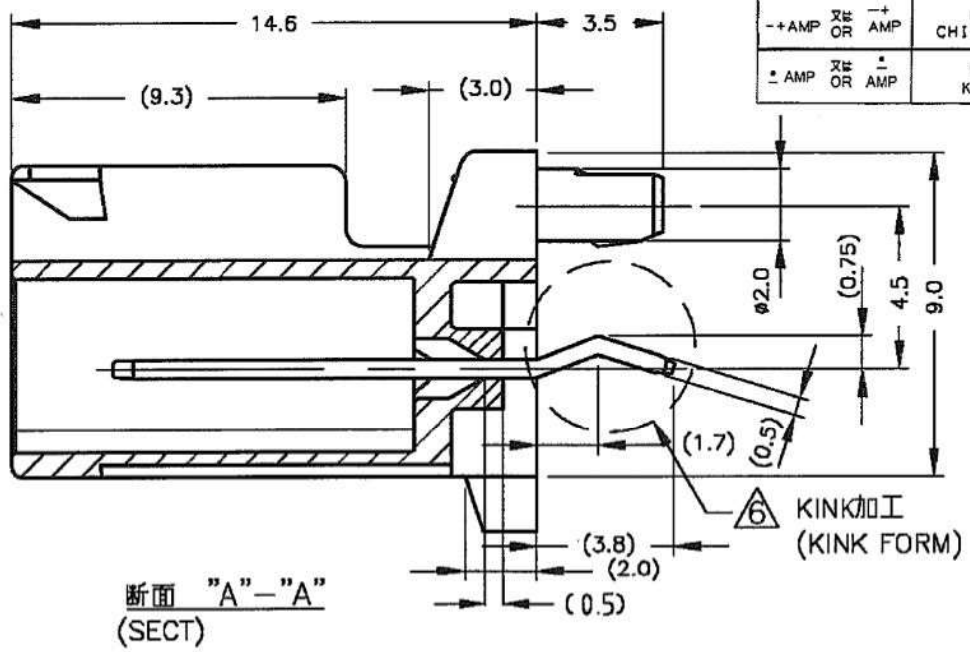
LOC	DIST	REVISIONS			
P	LTR	DESCRIPTION	DATE	DWN	APVD
J	-	D2 REVISED ECR-15-005941	17APR15	SC	BW



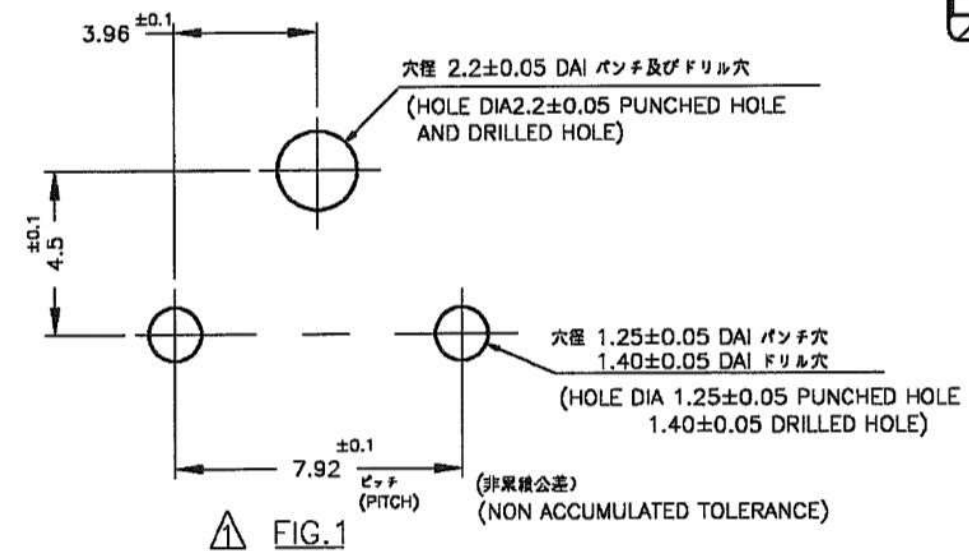
- NOTES :
- △ RECOMMENDED P.C.B LAYOUT : SEE FIG. 1
  - 2. APPLICABLE P.C.B THICKNESS : 1.6 t
  - 3. MATING CONN. P/N  
 - PLUG HOUSING : 177899-X  
 - REC CONTACT : 177914-X, 177915-X
  - 4. PRODUCT SPEC : 108-5410
  - △ TRADE MARK MARKED LOCATION CODE OF MANUFACTURING PLACE
  - △ WITHOUT KINK TYPE CAN'T BE FIXED ON P.C.B TEMPORARY BEFORE SOLDERING

表 1 (TABLE 1)

No	名称(NAME)	材料(MATERIAL)
①	タブ(TAB)	銅合金: 錫めっき (COPPER ALLOY TIN PLATED)
②	ヘッダーハウジング (HEADER HOUSING)	6/6ナイロンガラス強化(UL94V-0) (6/6 NYLON GRASS FILLED)



トレードマーク TRADE MARK	生産場所 MANUFACTURING PLACE
-AMP 又は OR AMP	日本 JAPAN
+AMP 又は OR AMP	中国 CHINA (PRC)
AMP 又は OR AMP	韓国 KOREA



WITHOUT KINK △6	TRAY	COLOR	P/N	
WITH KINK	TRAY	BLUE	9-179844-6	
		NATURAL	9-179844-1	
	POLY BAG	BLUE	1-179844-6	
		YELLOW	1-179844-4	
		RED	1-179844-2	
		NATURAL	1-179844-1	
	OBSOLETE	TRAY	BLACK	179844-9
			BLUE	179844-6
			YELLOW	179844-4
			RED	179844-2
NATURAL	179844-1			
POST TYPE	PACKING	COLOR	P/N	

THIS DRAWING IS A CONTROLLED DOCUMENT.

DWN	N.YAMASAKI	2 NOV '00
CHK	M.SHINDO	6 NOV '00
APVD	Y.KASHIWA	6 NOV '00
PRODUCT SPEC	SEE NOTE 4	
APPLICATION SPEC		

**tyco** Tyco Electronics AMP K.K.  
**Electronics** Kawasaki, Japan

NAME: アンパワーダブルロックコネクタ  
 7.92mmピッチ2極ヘッダーアッセンブリ (V-TYPE)  
 AMP POWER DBL LOCK CONN 7.92mm PITCH 2P HEADER ASS'Y V TYPE

SIZE	CAGE CODE	DRAWING NO	RESTRICTED TO
A3	00779	C-179844	

MATERIAL: 表1参照 (SEE TABLE 1) | FINISH: 表1参照 (SEE TABLE 1) | WEIGHT: | CUSTOMER DRAWING | SCALE: - | SHEET: 1 OF 1 | REV: D2