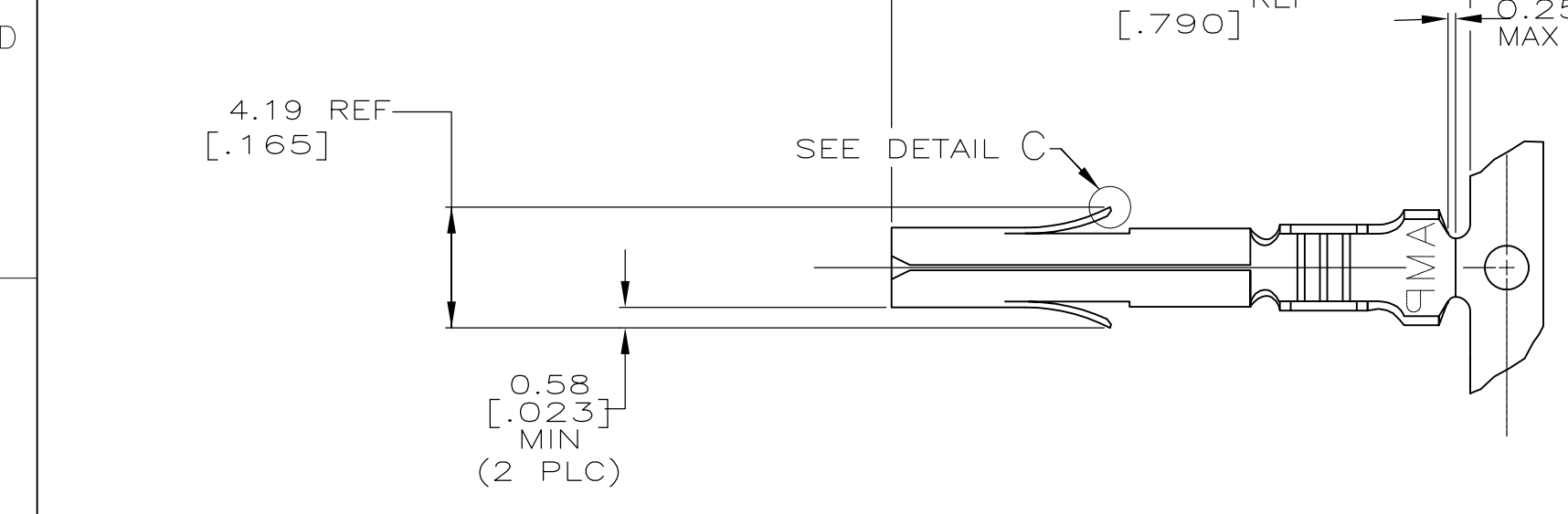
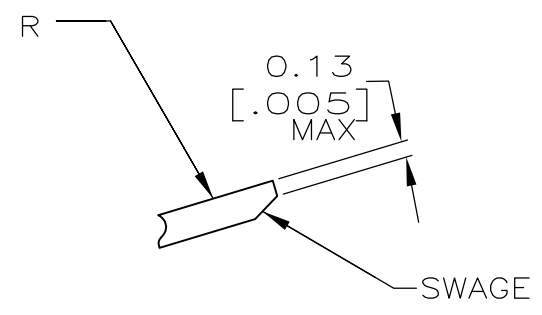
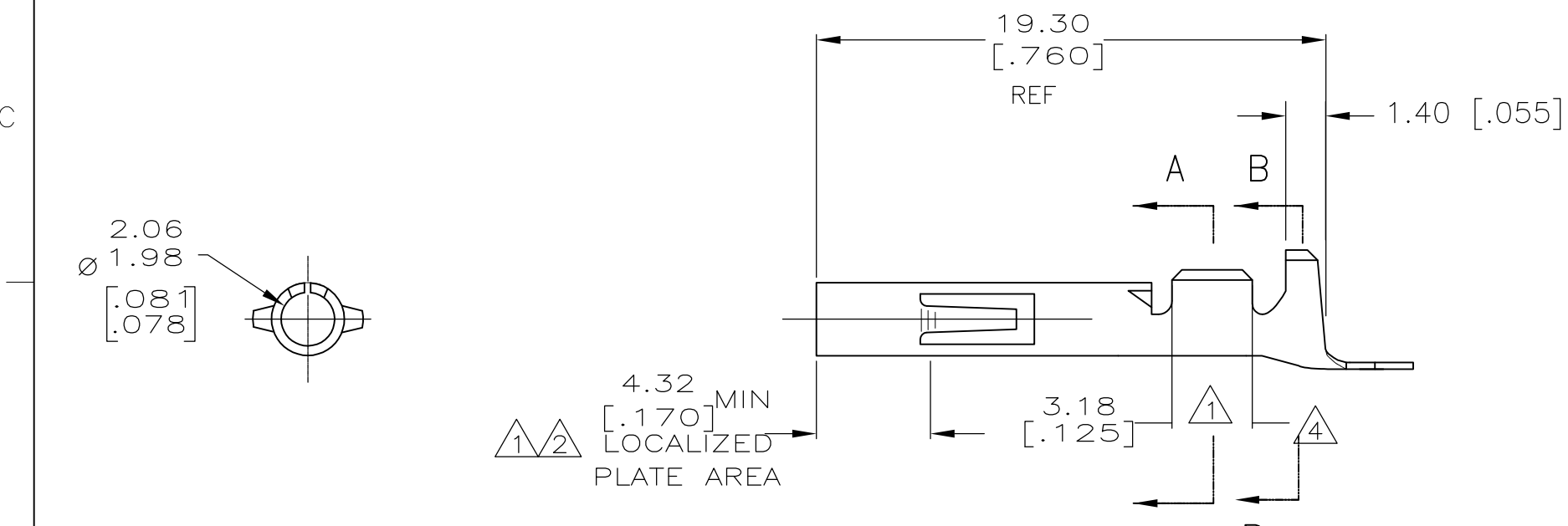


THIS DRAWING IS UNPUBLISHED. RELEASED FOR PUBLICATION  
 © COPYRIGHT - By - ALL RIGHTS RESERVED.

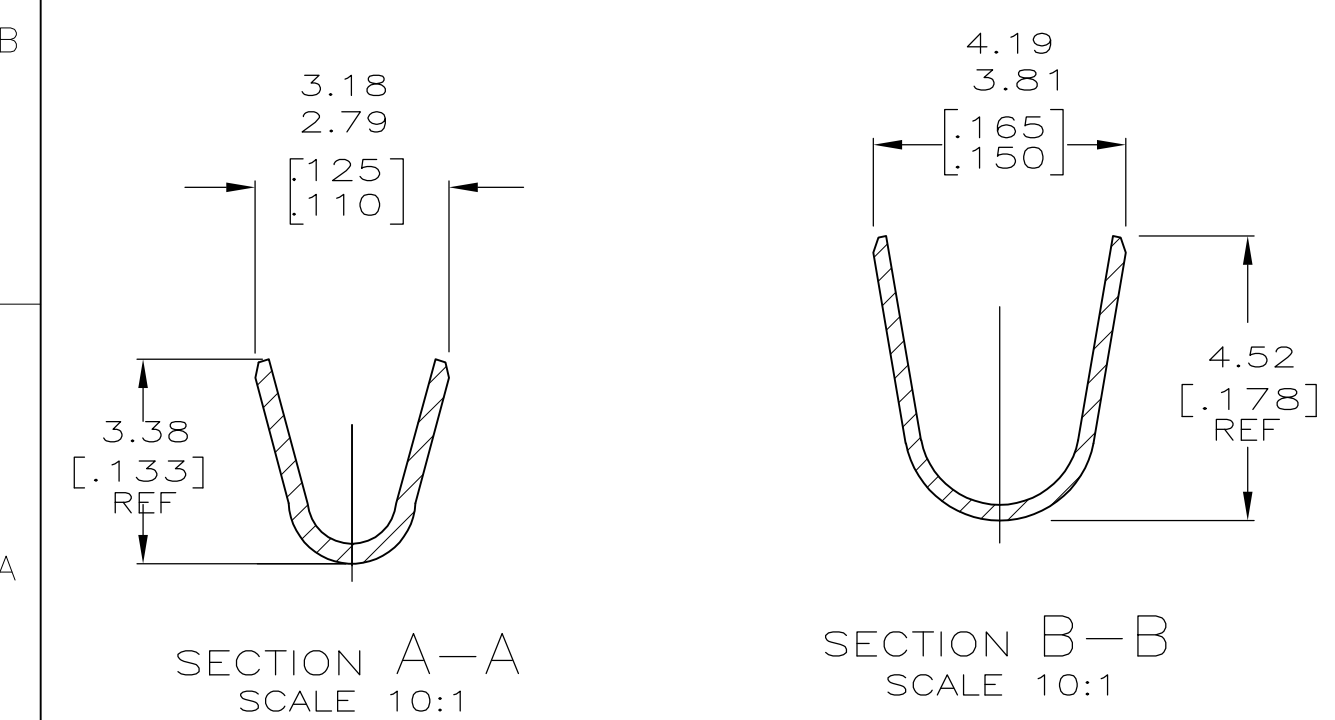
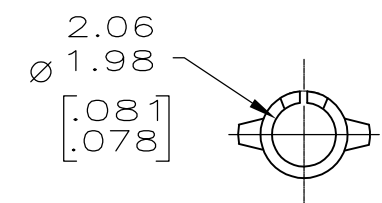
LOC	DIST	REVISIONS					
CM	00	P	LTR	DESCRIPTION	DATE	DWN	APVD
				AD2 REVISED PER ECR-15-018773	05JAN2016	BW	EW



- 1 0.00076[.000030] THK GOLD OVER NICKEL ON INSIDE OF RECEPTACLE AND WIRE BARREL; REMAINDER OF CONTACT IS NICKEL PLATED.
- 2 0.00076[.000030] THK GOLD ON INSIDE OF RECEPTACLE; REMAINDER OF CONTACT IS NICKEL PLATED.
- 3 DIMENSIONS IN BRACKETS ARE IN INCHES.
- 4 PRELIMINARY, NOT FOR PRODUCTION.
- 5 OBSOLETE PARTS: OBSOLETE CIS STREAMLINING PER D.RENAUD/D.SINISIA
- 6 WIRE RANGE: 14-20AWG, 2.08-0.52mm<sup>2</sup>. INSULATION RANGE: Ø1.52-3.30 [Ø.060-.130].



DETAIL C  
SCALE 20:1



4	-	-	TIN	0.30 [.012] BE CU	1-350536-0
5	OBSOLETE	STANDARD	TIN	0.30 [.012] PH BZ	-350536-9-
	350550-7	MINI	GOLD 2	0.30 [.012] BRASS	350536-7
	350550-6	MINI	GOLD 2	0.30 [.012] PH BZ	350536-6
	350550-3	MINI	TIN	0.30 [.012] PH BZ	350536-3
	350550-2	MINI	GOLD 1	0.30 [.012] BRASS	350536-2
	350550-1	MINI	TIN	0.30 [.012] BRASS	350536-1
	LOOSE PIECE (REF)	APPLICATOR TYPE	FINISH	MATERIAL	PART NUMBER

THIS DRAWING IS A CONTROLLED DOCUMENT.

DWN	K. WHITAKER	07NOV2003	<b>STE</b> TE Connectivity
CHK	S. RIDGILL	07-NOV-03	
APVD	S. RIDGILL	07-NOV-03	
PRODUCT SPEC	108-1031		
APPLICATION SPEC	114-1010		NAME
WEIGHT	-		SOCKET, UNIVERSAL MATE-N-LOK™
CUSTOMER DRAWING	SCALE	4:1	RESTRICTED TO
	SHEET	1 OF 1	REV AD2