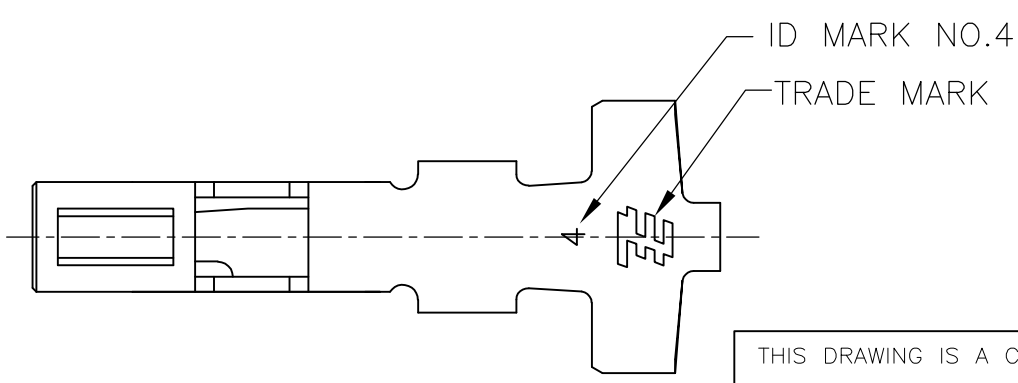
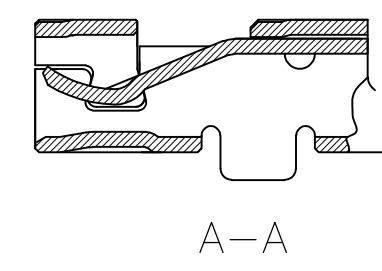
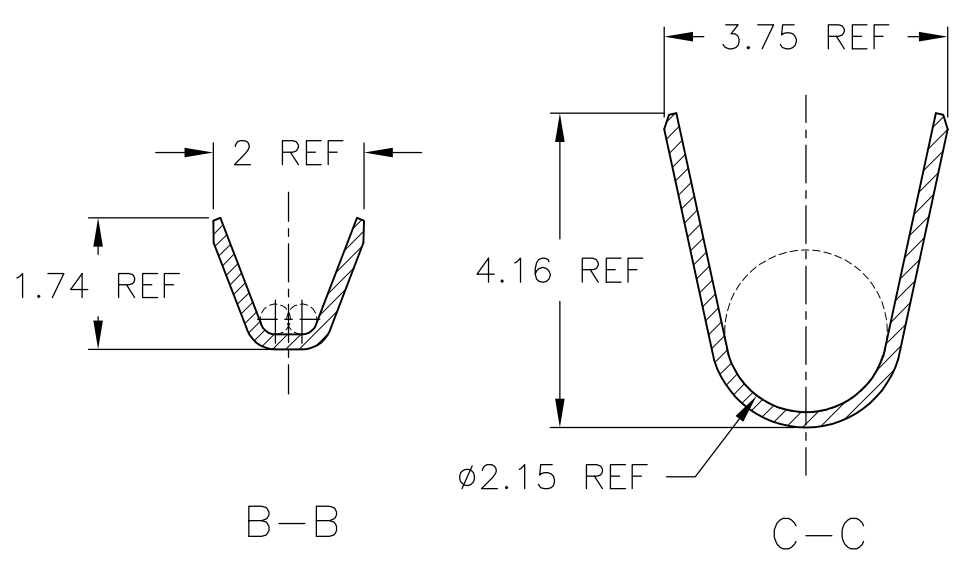
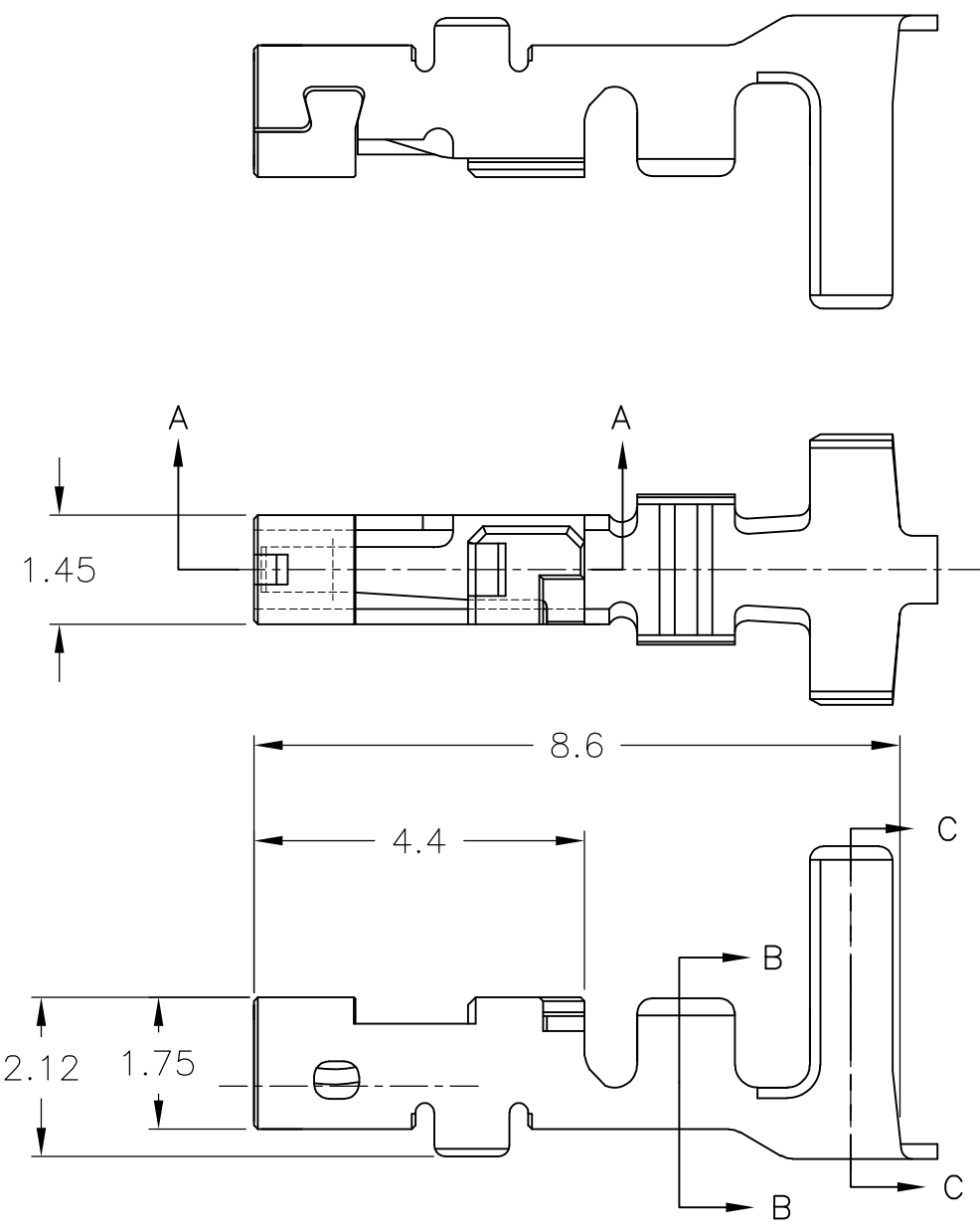


THIS DRAWING IS UNPUBLISHED. RELEASED FOR PUBLICATION APR, 2005.  
 © COPYRIGHT 2005 BY TYCO ELECTRONICS CORPORATION. ALL INTERNATIONAL RIGHTS RESERVED.

LOC	DIST	REVISIONS 変更			DATE	DWN	APVD
J	/	P	LTR	DESCRIPTION			
			C	REVISED ECR-10-019566	22SEP2010	T.T	T.M

-1; AS SHOWN



- 1 一般公差: ±0.25
  - 2 材料: 錫めっき済 銅合金
  - 3 適用電線: AWG #20-#24 (被覆外径φ1.5~φ2.5)
- 
- 1 GENERAL TOLERANCE: ±0.25
  - 2 MATERIAL: PRE-TIN COPPER ALLOY
  - 3 APPLICABLE WIRE: AWG #20-#24 (INS DIAφ1.5~φ2.5)

1827395-1  
PART NUMBER

THIS DRAWING IS A CONTROLLED DOCUMENT.		DWN T.HATANO 12APR2005	Tyco Electronics Corporation Kawasaki, Japan	
DIMENSIONS: 単位: 耗 mm	TOLERANCES UNLESS OTHERWISE SPECIFIED: 一般公差	CHK A.OISHI 12APR2005	NAME N.YAMASAKI	
 0 PLC ± 1 PLC ± 2 PLC ± 3 PLC ± 4 PLC ± ANGLES ±	FINISH 仕上	APVD N.YAMASAKI 12APR2005	PRODUCT SPEC 製品規格 108-78231	
		MATERIAL 材料 SEE NOTE	APPLICATION SPEC 取付適用規格 114-5372	SIZE A3
		WEIGHT	DRAWING NO 番号 G-1827395	
		CUSTOMER DRAWING		RESTRICTED TO -
		SCALE 尺度 10:1	SHEET 1 OF 1	REV C