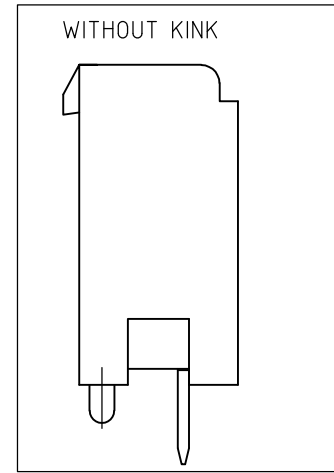
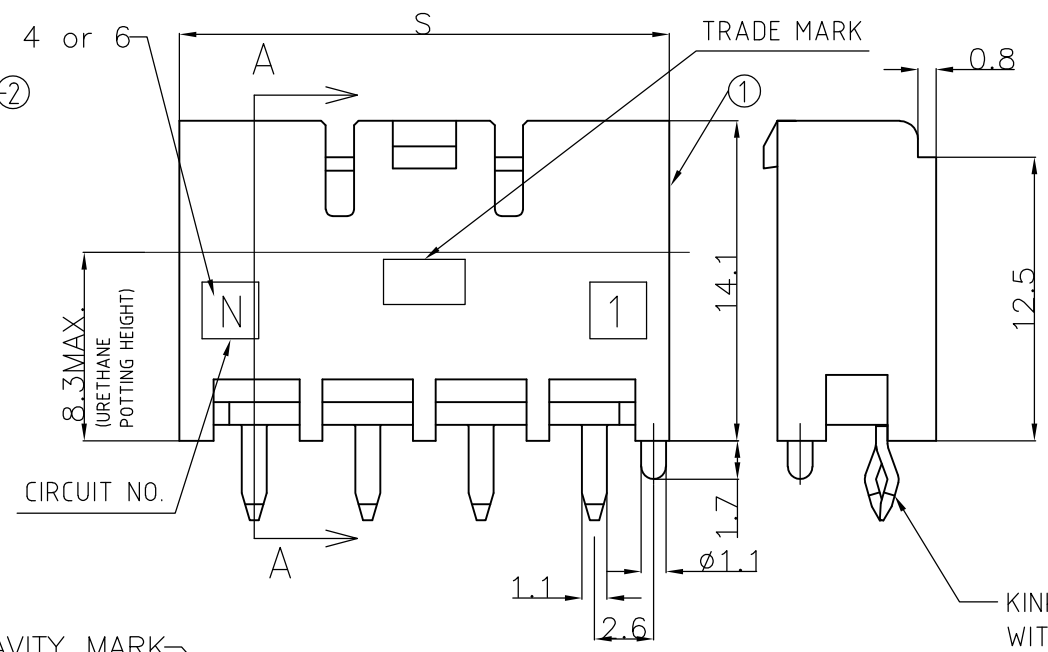
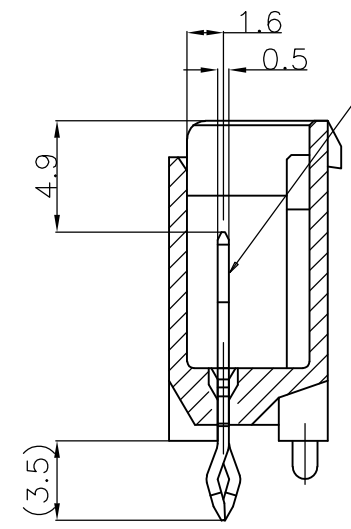
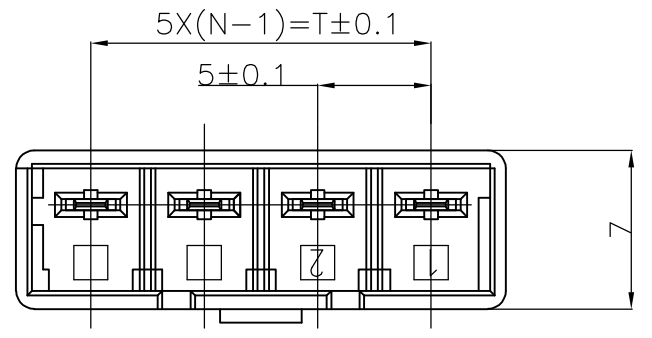
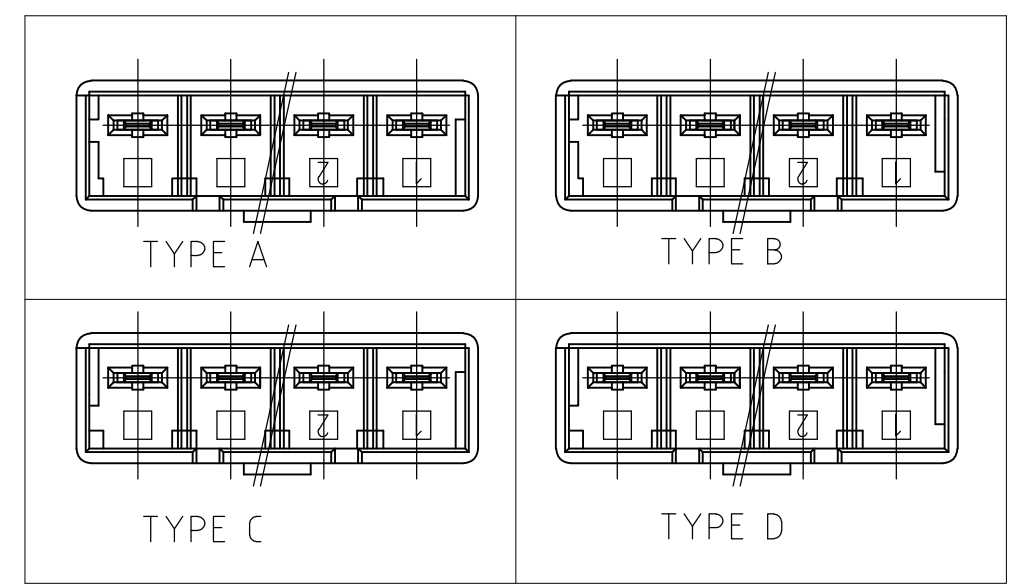


THIS DRAWING IS UNPUBLISHED. RELEASED FOR PUBLICATION
 © COPYRIGHT - By - ALL RIGHTS RESERVED.

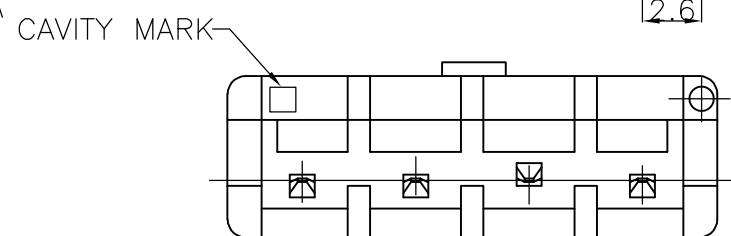
REVISIONS				
P	LTR	DESCRIPTION	DATE	APVD
E2		REVISED PER ECR-16-007444	28MAY2016	NK SC



THE TYPE OF KEYING

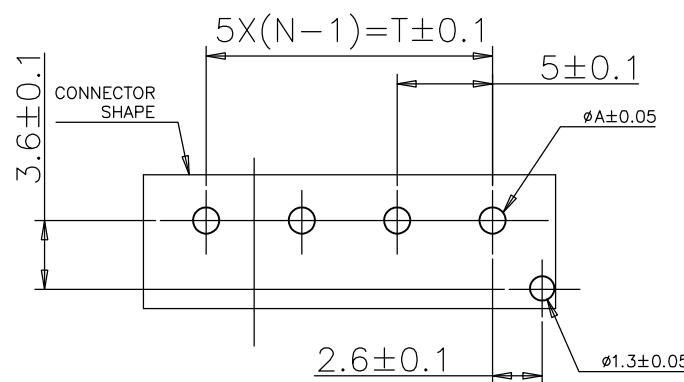


SECT A-A



NO.	NAME	MATERIAL
②	HEADER HOUSING	6/6 NYLON GRASS FILLED/ NYLON 6
①	TAB	COPPER ALLOY TIN PLATED

①	②	③	④	⑤	⑥	⑦	⑧	⑨	⑩	⑪	⑫		
RECOMMENDED P.C.B LAY OUT.	APPLICABLE P.C.B. THICKNESS:1.6.	MATING CONN. P/N	PLUG HOUSING :SEE TABLE.	PARTS COMPLY WITH GLOW WIRE REQUIREMENT FOR PARTS OF NON-METALLIC MATERIAL SUPPORTING A CURRENT-CARRYING CONNECTION DETAILED IN IEC 60335-1, SECTION 30 (GWT) .	NYLON 6, GWT, V-2.	NYLON 66, GWT, V-0.	DIMENSION	MATING CONN. P/N	WITH/WITHOUT KINK	TYPE OF KEYING	Color	Pos	PART NO.
△6	25	31.6	6	1376391-1	WITHOUT KINK	TYPE A	NATURAL	6Pos	5-1376385-1				
△6	25	31.6	6	3-1376391-4	WITH KINK	TYPE D	YELLOW	6Pos	3-1376385-4				
△6	25	31.6	6	2-1376391-3	WITH KINK	TYPE C	BLUE	6Pos	2-1376385-3				
△6	25	31.6	6	1-1376391-2	WITH KINK	TYPE B	RED	6Pos	1-1376385-2				
△6	25	31.6	6	1376391-1	WITH KINK	TYPE A	NATURAL	6Pos	1376385-1				
△5	15	21.6	4	1376390-5	WITH KINK	TYPE A	NATURAL	4Pos	1-1376384-6				
△5	15	21.6	4	1-1376390-5	WITH KINK	TYPE B	RED	4Pos	1-1376384-5				
△6	15	21.6	4	1376390-1	WITHOUT KINK	TYPE A	NATURAL	4Pos	5-1376384-1				
△6	15	21.6	4	3-1376390-4	WITH KINK	TYPE D	YELLOW	4Pos	3-1376384-4				
△6	15	21.6	4	2-1376390-3	WITH KINK	TYPE C	BLUE	4Pos	2-1376384-3				
△6	15	21.6	4	1-1376390-2	WITH KINK	TYPE B	RED	4Pos	1-1376384-2				
△6	15	21.6	4	1376390-1	WITH KINK	TYPE A	NATURAL	4Pos	1376384-1				
T	S	N											



OPERATION	DEPTH
PUNCHING	1.25
DRILLING	1.4
	DIM A

RECOMMENDED PCB HOLES

- ① RECOMMENDED P.C.B LAY OUT.
- ② APPLICABLE P.C.B. THICKNESS:1.6.
- ③ MATING CONN. P/N PLUG HOUSING :SEE TABLE.
- ④ PARTS COMPLY WITH GLOW WIRE REQUIREMENT FOR PARTS OF NON-METALLIC MATERIAL SUPPORTING A CURRENT-CARRYING CONNECTION DETAILED IN IEC 60335-1, SECTION 30 (GWT) .
- ⑤ NYLON 6, GWT, V-2.
- ⑥ NYLON 66, GWT, V-0.

THIS DRAWING IS A CONTROLLED DOCUMENT.

DIMENSIONS:	TOLERANCES UNLESS OTHERWISE SPECIFIED:
mm	
Ø P/LC	± 0.2
1 P/LC	±
2 P/LC	±
3 P/LC	±
4 P/LC	±
ANGLES	± 1°
FINISH	
SEE TABLE	SEE TABLE

DWN	A.OISHI	28AUG'00
CHK	Y.KASHIWA	28AUG'00
APVD	Y.KASHIWA	28AUG'00
PRODUCT SPEC	108-5699	
APPLICATION SPEC	114-5292	
WEIGHT		
CUSTOMER DRAWING		

STE TE Connectivity

5.0 POWER KEY CONNECTOR
4P HEADER ASSEMBLY

SIZE	CAGE CODE	DRAWING NO	RESTRICTED TO
A3	00779	C-1376384	-

SCALE 3:1 SHEET 1 OF 1 REV E2