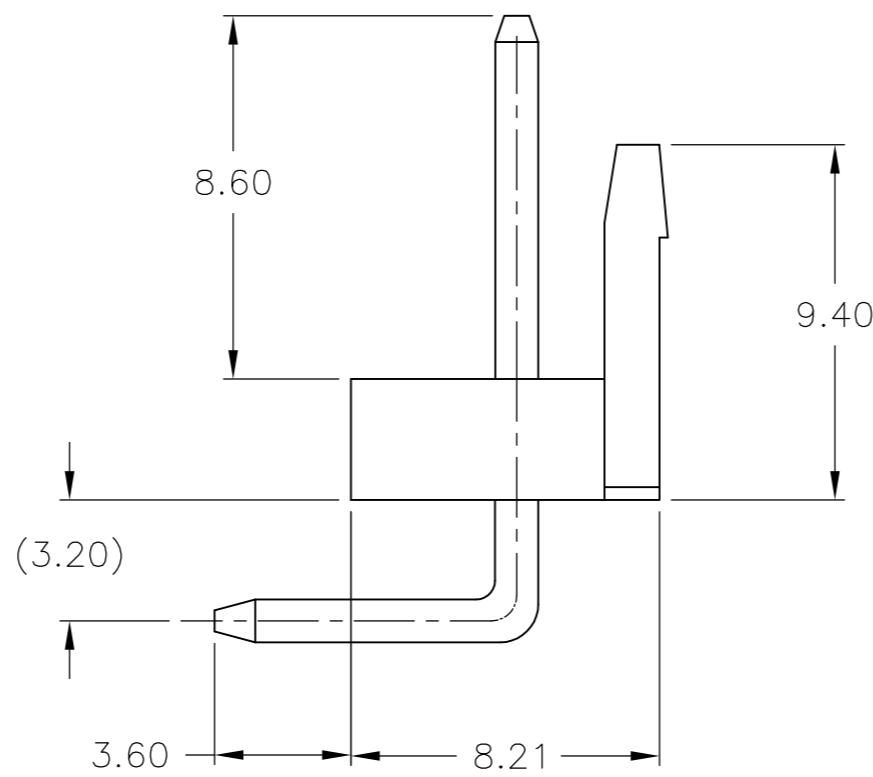
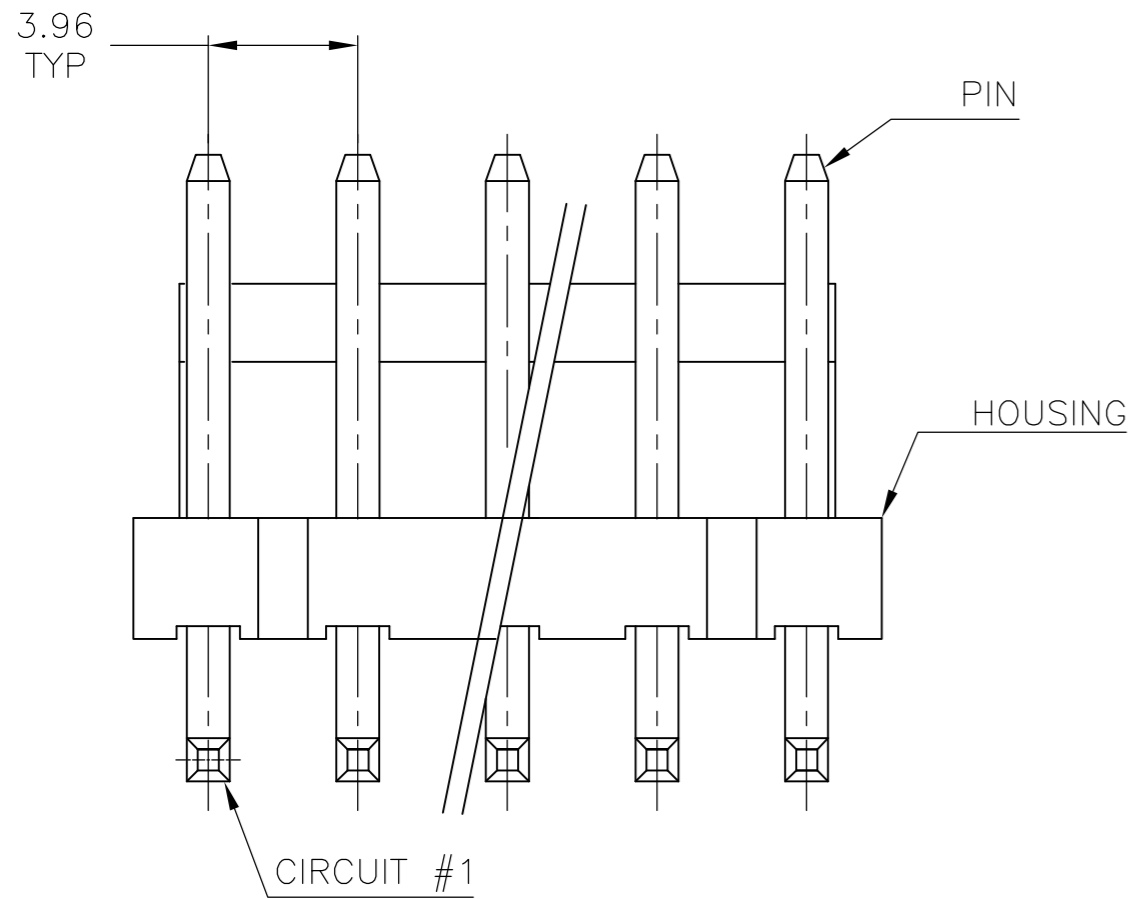
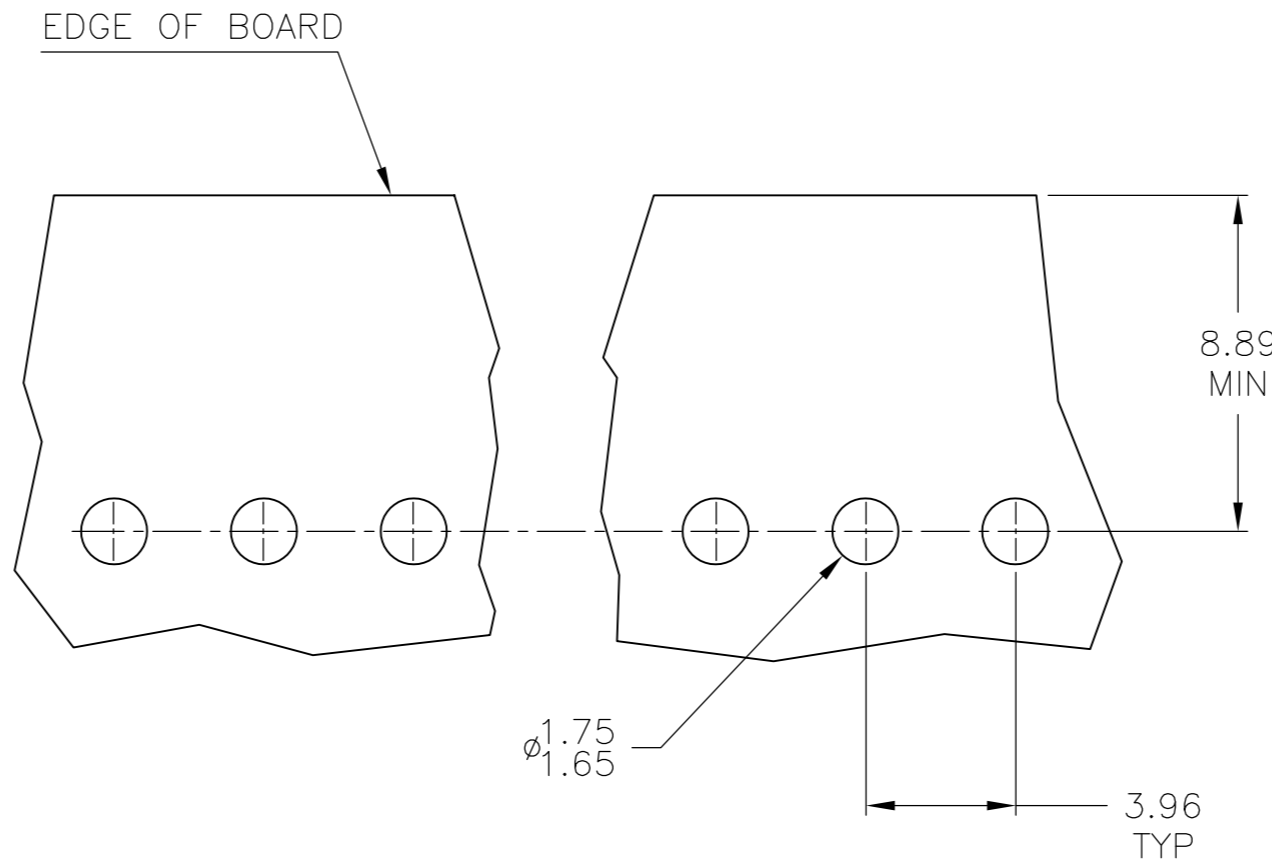
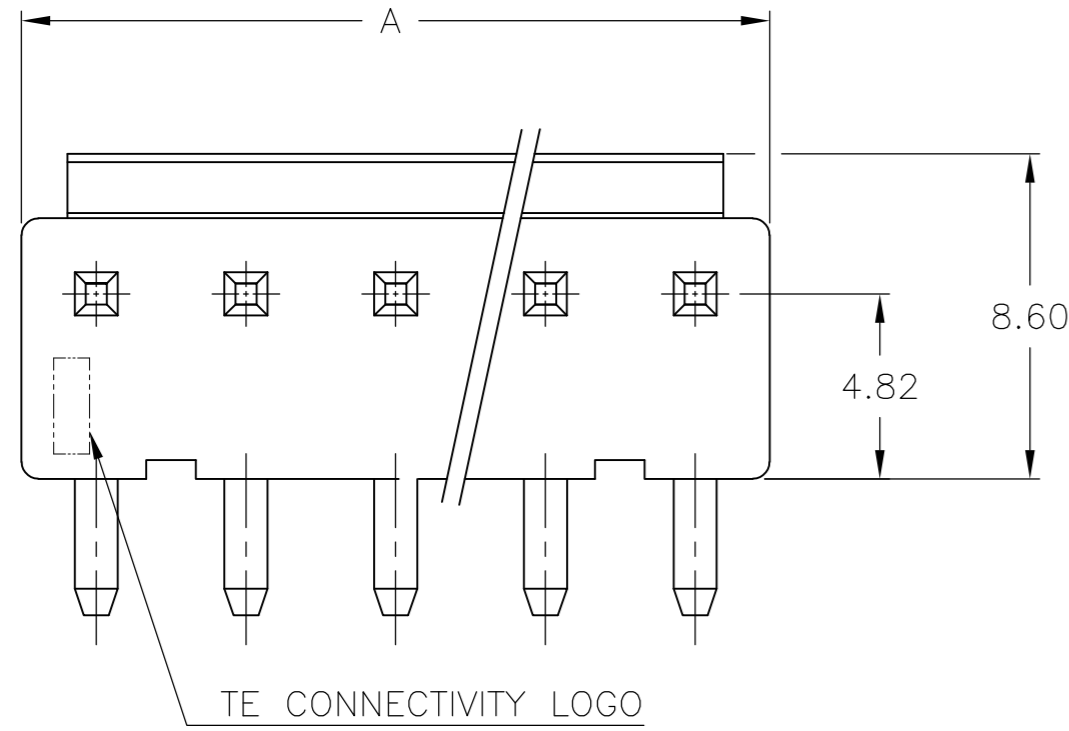


THIS DRAWING IS UNPUBLISHED. RELEASED FOR PUBLICATION
 © COPYRIGHT - By - ALL RIGHTS RESERVED.

LOC		DIST		REVISIONS			
P	LTR	DESCRIPTION		DATE	DWN	APVD	
CM	00	D		REVISED PER ECR-14-010430	13OCT2014	NK	TM

- MATERIAL :
HOUSING : NYLON, UL94-V0
PIN : BRASS.
- FINISH:
PIN : 80u" MIN. TIN PLATED ON CONTACT AREA.
- COMPLY WITH GLOW WIRE REQUIREMENTS FOR PARTS OF NON-METALLIC MATERIAL SUPPORTING A CURRENT-CARRYING CONNECTION DETAILED IN IEC 60335-1, SECTION 30(GWT)



47.52	12	1-1744428-2
43.56	11	1-1744428-1
39.60	10	1-1744428-0
35.64	9	1744428-9
31.68	8	1744428-8
27.72	7	1744428-7
23.76	6	1744428-6
19.80	5	1744428-5
15.84	4	1744428-4
11.88	3	1744428-3
7.92	2	1744428-2
DIM. A CIRCUITS		PART NUMBER

THIS DRAWING IS A CONTROLLED DOCUMENT.		DWN	JR RUTH	09JAN12	 TE Connectivity		
DIMENSIONS: mm		CHK	SAM MACE	09JAN12			
TOLERANCES UNLESS OTHERWISE SPECIFIED:		APVD	SAM MACE	09JAN12			
0 PLC ± - 1 PLC ± - 2 PLC ± 0.20 3 PLC ± - 4 PLC ± - ANGLES ± 30'		PRODUCT SPEC	108-5609				
MATERIAL	FINISH	WEIGHT	-		NAME	ASSEMBLY, EP HEADER, RIGHT ANGLE	
-		-		CUSTOMER DRAWING	SIZE	A2	RESTRICTED TO
				SCALE	5:1	SHEET	1 of 1
				CAGE CODE		00779	REV
				DRAWING NO		C=1744428	D

1744428