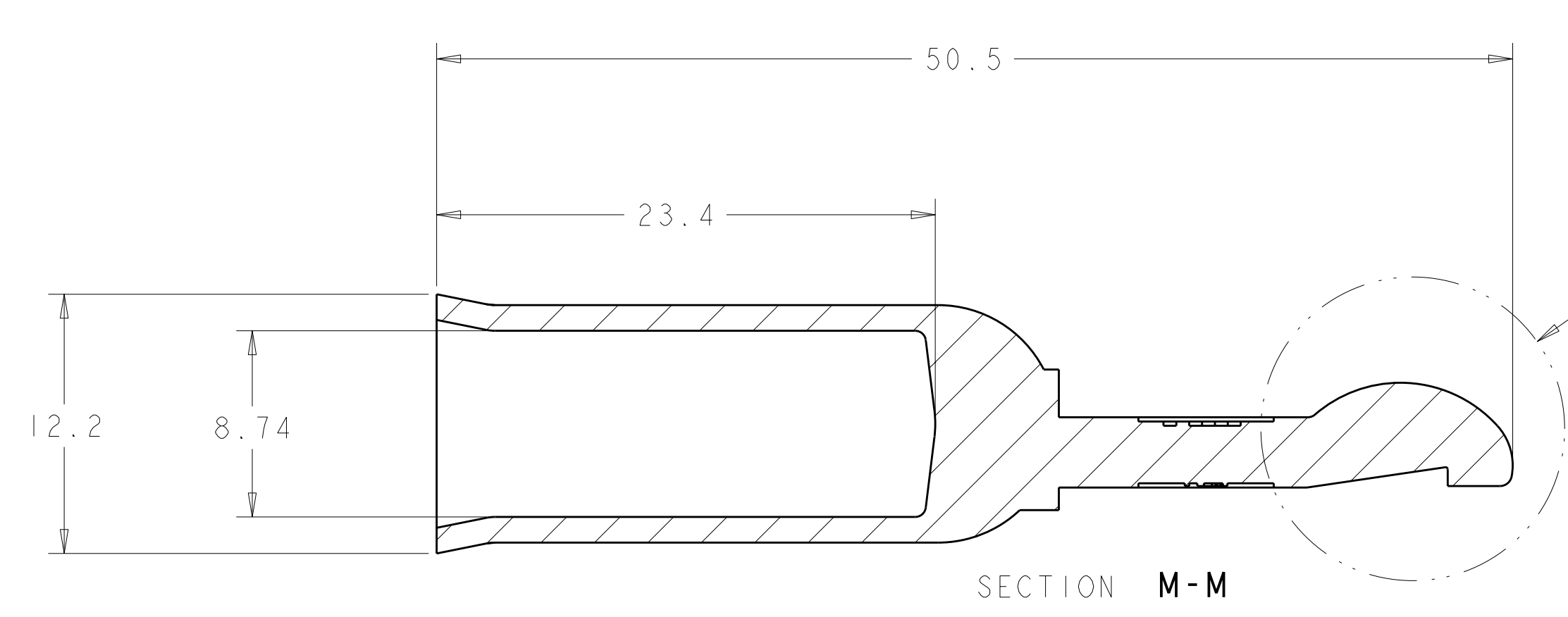
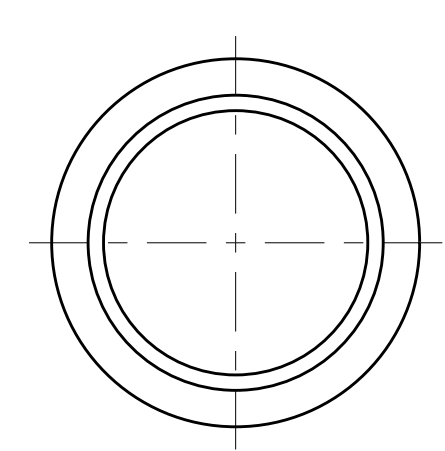
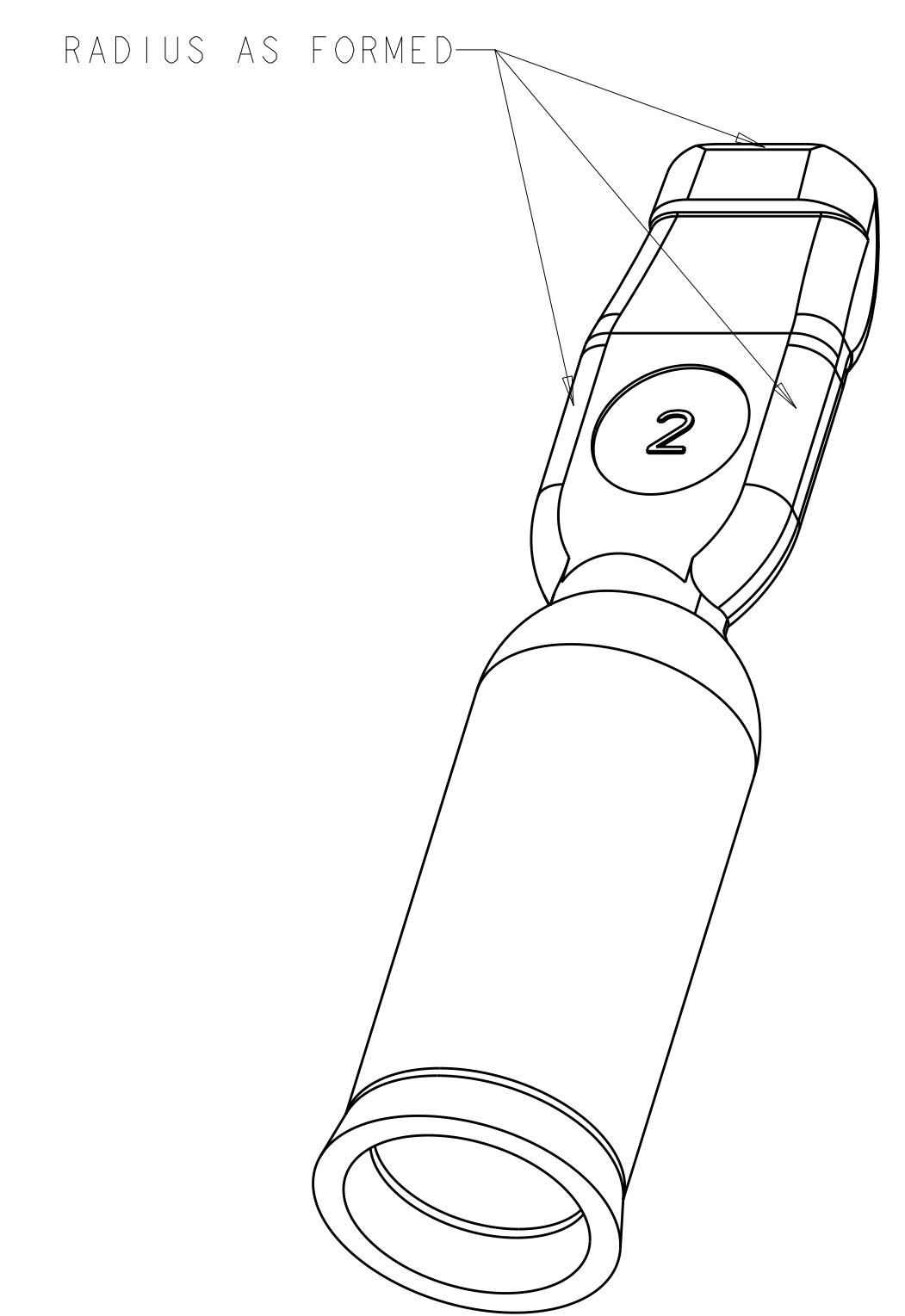
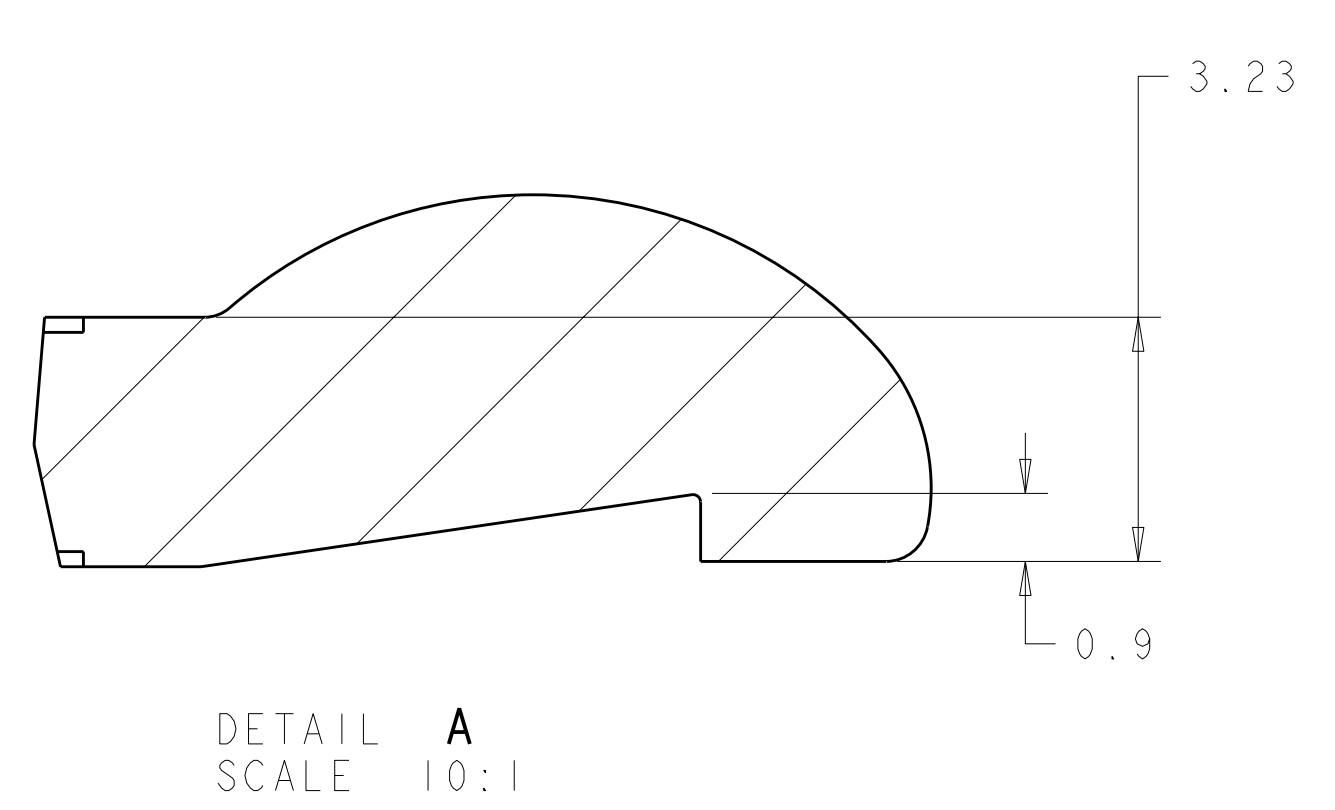
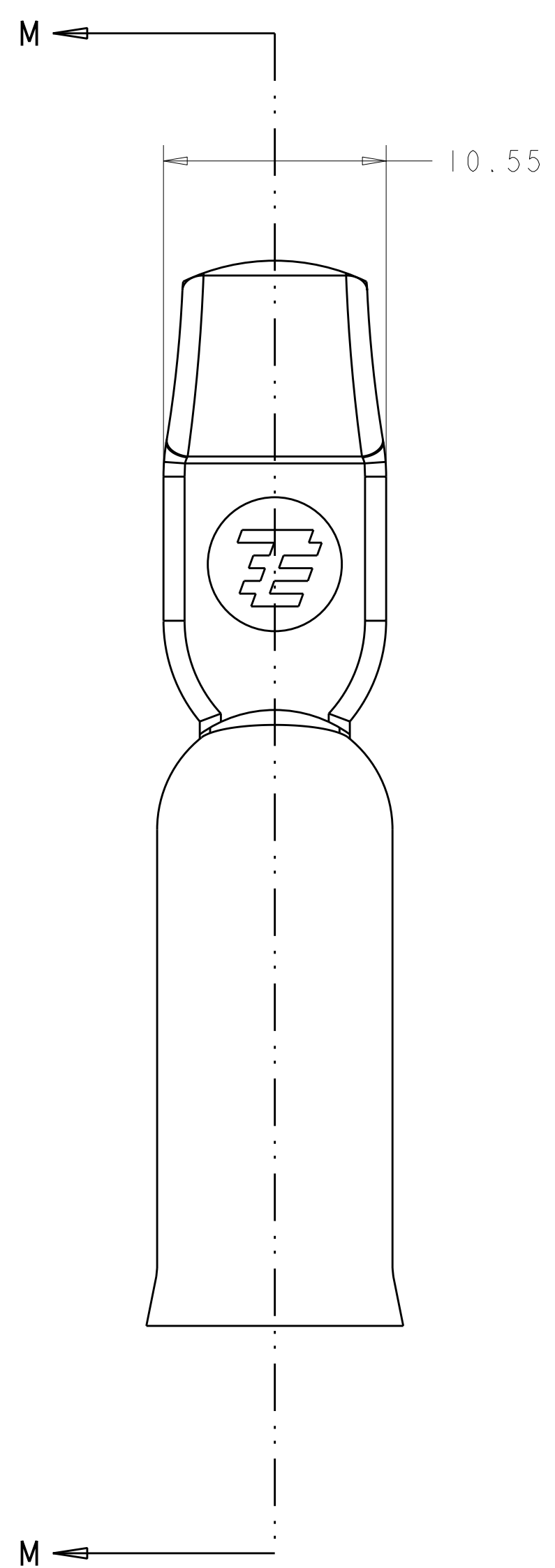


LOC	DIST	REVISIONS			
CM	00	REV	DATE	BY	APPD
		A	01APR10	JR	SM



1. MATERIAL: COPPER
2. PLATING: SILVER
3. THIS PRODUCT HAS PASSED VERIFICATION AND AGENCY APPROVALS TESTING AND IS COMPONENT RECOGNIZED PER UL 1977 AND CSA 22.2. TYCO ELECTRONICS PRODUCT QUALIFICATION TESTING IS NOT YET COMPLETED.

1445995-1  
PART NUMBER

**METRIC**

<small>THIS DRAWING IS UNPUBLISHED. RELEASED FOR PUBLICATION BY TYCO ELECTRONICS CORPORATION. ALL RIGHTS RESERVED.</small>		DWN: B. HAYMAKER 28NOV01 CHK: K. KETELSLEGER 28NOV01 APVD: K. KETELSLEGER 28NOV01	<b>tyco</b> Electronics Tyco Electronics Harrisburg, PA 17105-3608
DIMENSIONS: mm 	TOLERANCES UNLESS OTHERWISE SPECIFIED: 0 PLC ± 1 PLC ±0.13 2 PLC ± 3 PLC ± 4 PLC ± ANGLES ±5 FINISH	NAME: CONTACT, AMP POWER SERIES 120, 2 AWG PRODUCT SPEC: APPLICATION SPEC: WEIGHT: CUSTOMER DRAWING	SIZE: A CAGE CODE: 00779 DRAWING NO: 1445995 SCALE: 4:1 SHEET: 1 OF 1 REV: A