



## Features

- SPD with a fail safe function to prevent short-circuit (separation of circuit and alarm contact that is easily to found the timing of changing the products)
- Compliance with IEC 61643-1 that meets the new JIS standards
- Against indirect lightning surge for three phase power supplies
- Quick response for surge
- Impulse current capacity: 8/20 $\mu$ s-5,000A
- Impulse test category: Class II (Type II)
- Every pathway consists of same elements. Between line and line/between lines and ground can protect as the same level.

## Applications

- Power conditioner for solar photovoltaic system
- Electrical vehicle charger
- LED exterior illumination
- Tapping machine, NC machine, other machine tools
- Lithography equipment, Washing device, IC tester
- Injection molding machine, Winding machine, Surface moulder
- Vehicle air conditioner
- Servo amplifier
- Electric facility, Industrial equipment

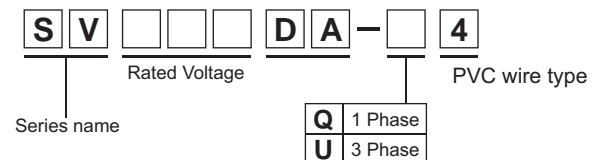


Safety Standard		File No.
UL	:UL1449 * 3rd.	E322107
cUL	:C22.2 No.8	
SEMKO	:IEC61643-1:2005 2nd :EN61643-11:2002 +A11	SE-65070 1400256

\* SCCR=5kA



### Model numbering system



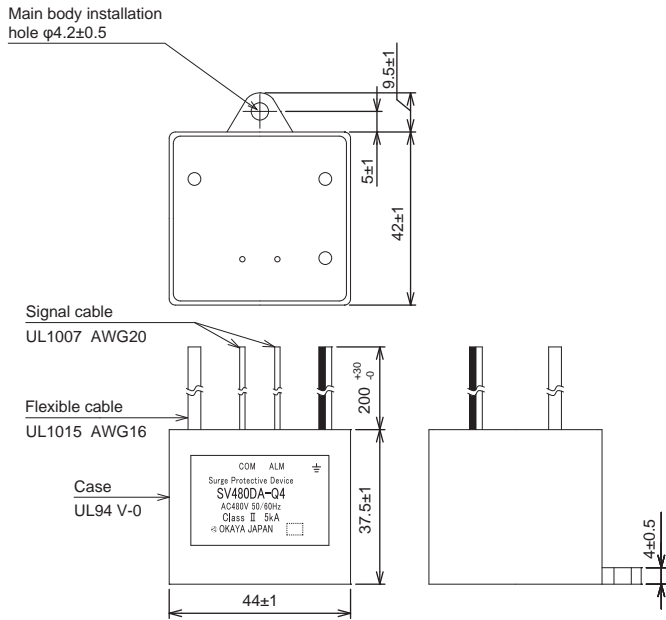
## Electrical Specifications

Safety Standard	Model Number	Rated Voltage 50/60Hz		DC Operating Voltage (V) $\pm$ 25%	Voltage Protection Level (V)	Nominal Discharge Current 8/20 $\mu$ s (A)	Max. Discharge Current 8/20 $\mu$ s (A)	Impulse Life Test 8/20 $\mu$ s, 1,000A
		Phase	Voltage					
—	SV150DA-Q4	Single Phase	AC150V	450	1,200	2,500	5,000	Approx. 500 times
	SV275DA-Q4	Single Phase	AC275V					
	SV275DA-U4	Three Phase		800	1,500			
	SV480DA-Q4	Single Phase	AC480V	1,400	2,000	2,500	5,000	Approx. 500 times
—	SV480DA-U4	Three Phase						
—	SV550DA-U4	Three Phase	AC550V	1,600	2,500			



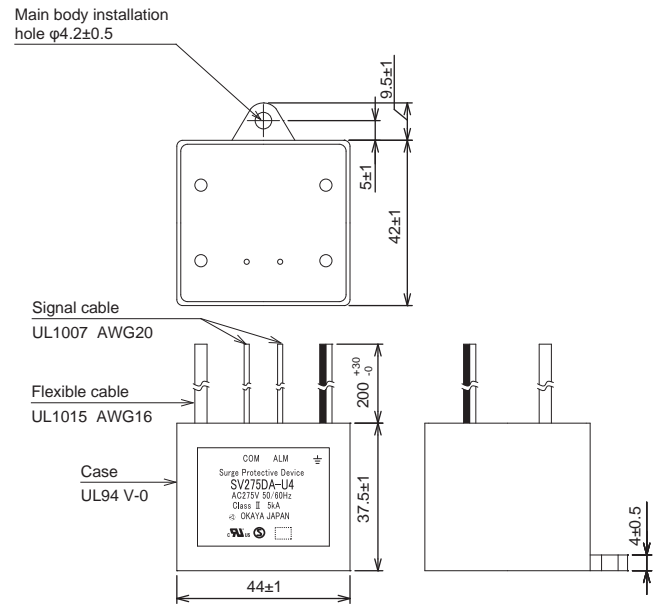
• Dimensions

SV-□□□DI-Q4 series (Single-Phase)



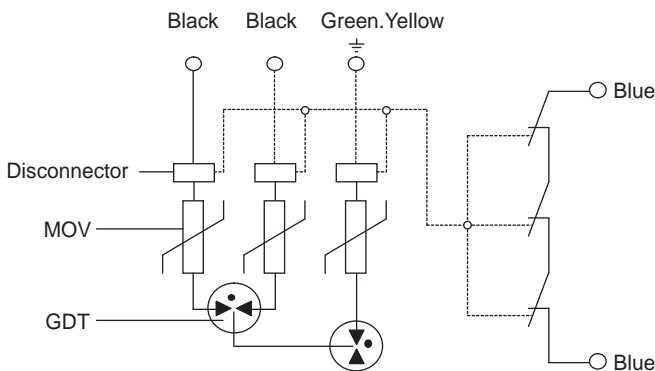
Unit: mm

SV-□□□DI-U4 series (Three-Phase)

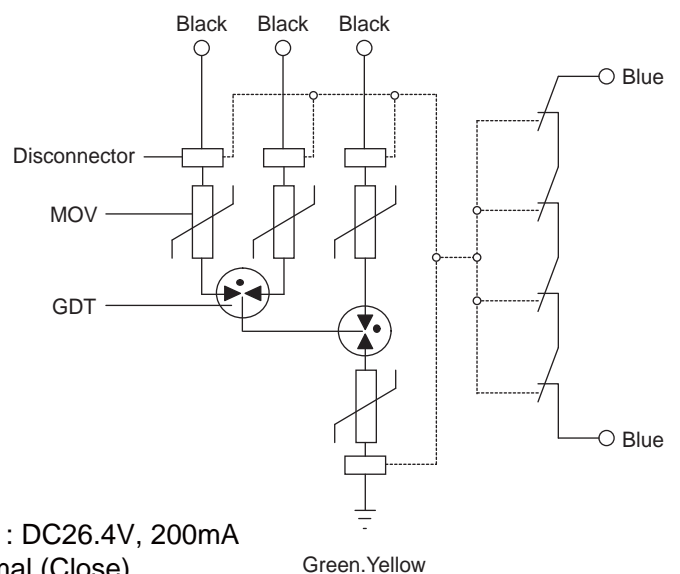


• Circuit

SV-□□□DI-Q4 series



SV-□□□DI-U4 series



Contact : Mechanical type  
 Maximum rating for contact circuit : DC26.4V, 200mA  
 Contact switching condition : Normal (Close)  
 Abnormal (Open)

Flexible wires in black color can connect to each phase without any specific control.